

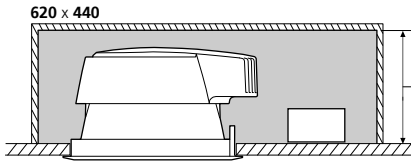
3097116-3097119
3097124-3097151
3097156-3097159
3097182-3097193



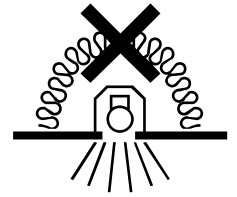
3034030-3034053 Isotera



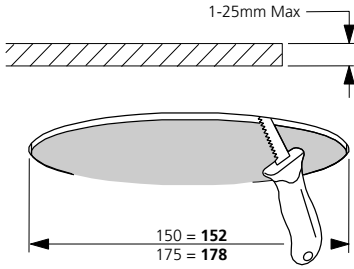
150 = 1.5Kg
150 Emergency = 2.20Kg
175 = 1.5Kg
175 Emergency = 2.20Kg



150 Std.
3097116-3097123, 3097132-3097139, 3097182-3097185
= **100**
175 Std.
3097148-3097151, 3097188 3097189
= **100**
150 Low Glare
3097124-3097131, 3097140-3097147, 3097186 3097187
= **125**
175 Low Glare
3097156-3097159, 3097190 3097191
= **150**



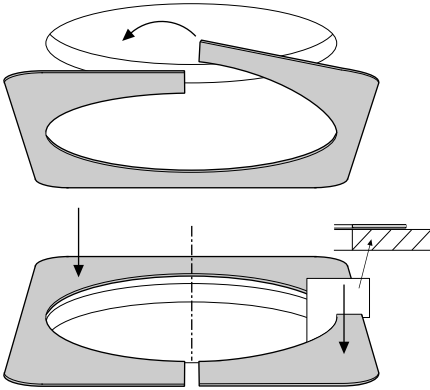
1



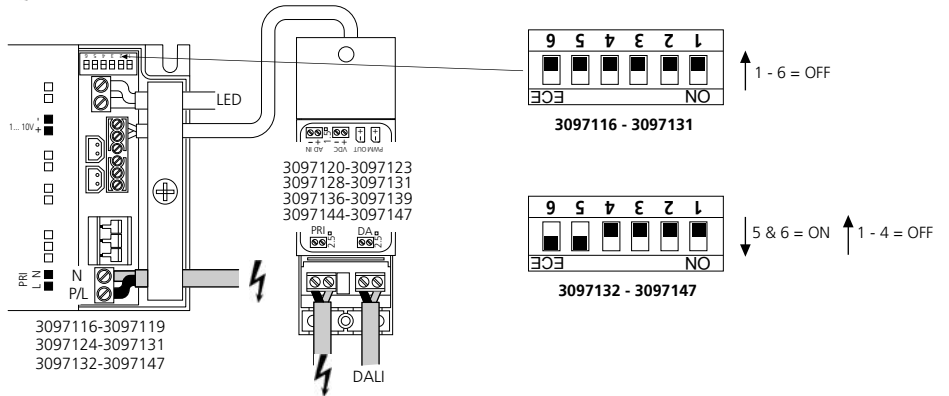
2 ⚡ 220-230V

- | | | | | |
|--|---|---|---|--|
| <p>1.
3097132-3097139
3097140-3097145
1 x P/L & N
1 x DALI (L & N)</p> <p>3097146-3097147
1 x P/L, 1 x N, 1 x E,
1 x P/L (↔ ↔)
1 x DAL (L & N)</p> | <p>2.
3097182-3097187
3097192-3097194
3097197 -3097199
1 x P/L & N</p> | <p>3.
3097116 3097117
3097118 3097119
3097124 3097125
3097126 3097127
1 x P/L & N
1 x 1-10V (+ & -)</p> <p>3097118 3097119
3097122 3097123
3097126 3097127
3097130 3097131
1 x P/L, 1 x N, 1 x E,
1 x P/L (↔ ↔)
1 x DAL (L & N)</p> | <p>4.
3097148 3097149
3097156 3097157
1 x P/L & N
1 x 1-10V (+ & -)</p> <p>3097150 3097151
3097158 3097159
1 x P/L, 1 x N, 1 x E,
1 x P/L (↔ ↔)
1 X 1-10V (+ & -)</p> | <p>5.
3097188-3097191
3097195-3097196
1 x P/L & N
1 x 1-10V (+ & -)</p> |
|--|---|---|---|--|

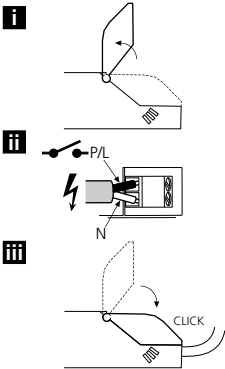
2 3097171 3004882



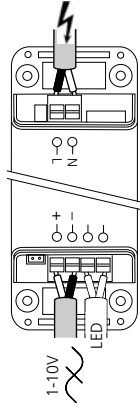
3 ⚡ TCI MAXI JOLLY & DCC DALI INTERFACE (1)
3097116-3097147



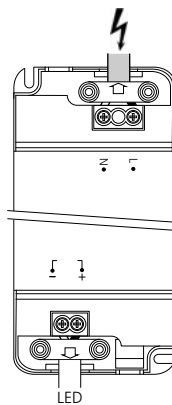
3 ⚡ Harvard (2)
3097182 3097183
3097184 3097185
3097186 3097187
3097192 3097193



3 ⚡ LUMOTECH (4)
3097148-3097151
3097156-3097159



3 ⚡ SELF (5)
3097188-3097191

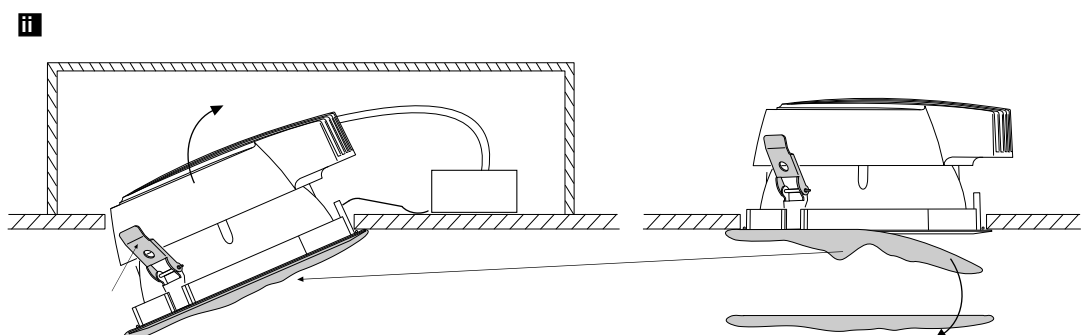
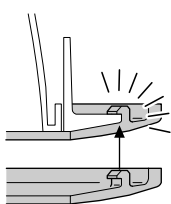


3 Isotera
3034030-3034053

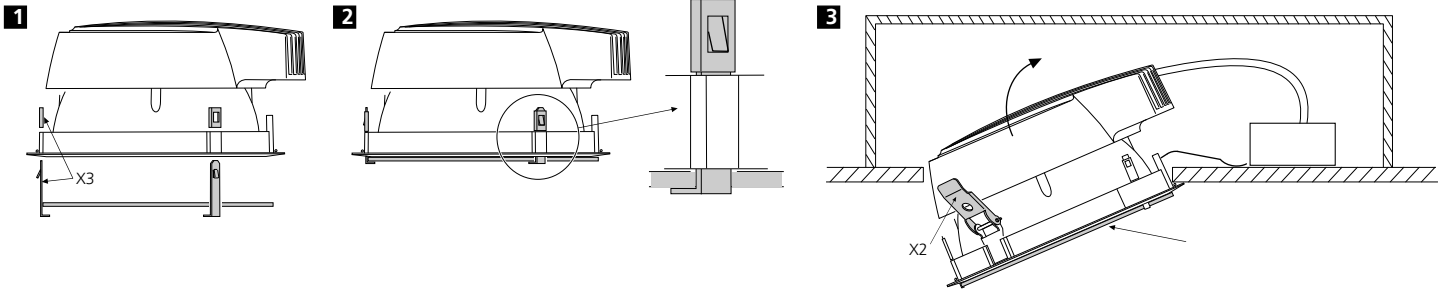


4

2 Accessory - 3097166 3097167 3097169
3097170 3097174 3097175



3097168 3097173



3097118 3097119 3097122 3097123 3097126 3097127 3097130 3097131
 3097134 3097135 3097138 3097139 3097142 3097143 3097146 3097147
 3097150 3097151 3097154 3097155 3097158 3097159 3097162 3097163

