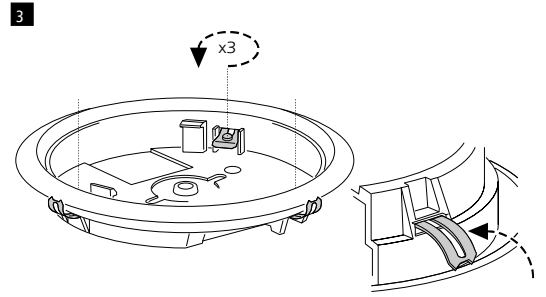
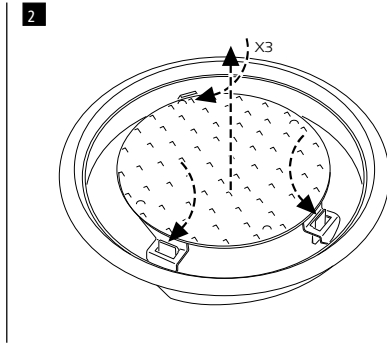
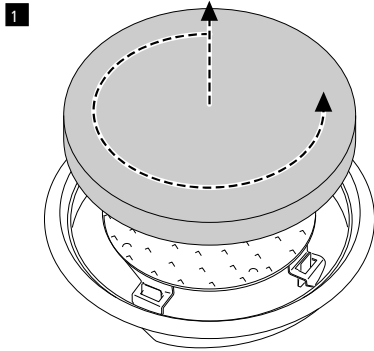
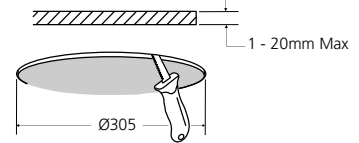
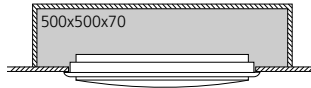


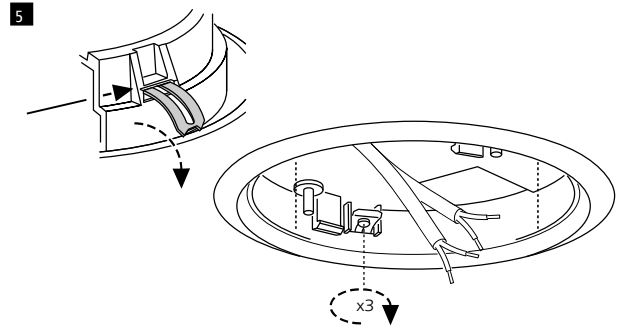
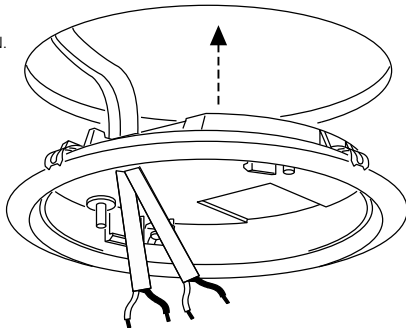
230-240V~ 50/60Hz



ta 25°C

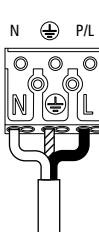


4  
 ⚡ - 230-240V~ 2 x 0.75mm<sup>2</sup> Min. P/L, N.  
 DIM - 2 x 0.75mm<sup>2</sup> Min. +, -.  
 DALI - 2 x 0.75mm<sup>2</sup> Min D1, D2.  
 MW - 1 x 0.75mm<sup>2</sup> Min.

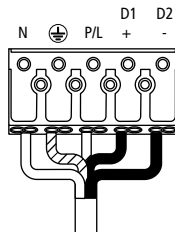


6 ⚡ ! ENSURE DRIVER HAS **NOT** BEEN POWERED FOR AT LEAST 1 (ONE) MINUTE **BEFORE** CONNECTING LED STRING.

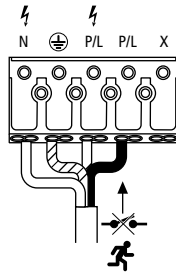
⚡ 230-240V~



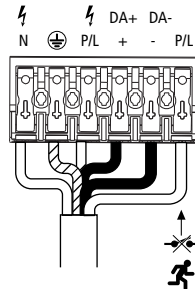
⚡ 230-240V~ + DALI ⚡  
 ⚡ 230-240V~ + 1-10V



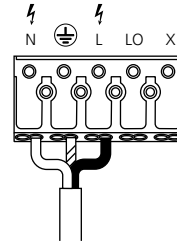
⚡ 230-240V~ + ⚡



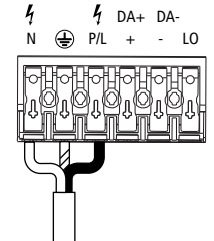
⚡ 230-240V~ + DALI ⚡ + ⚡  
 ⚡ 230-240V~ + 1-10V + ⚡



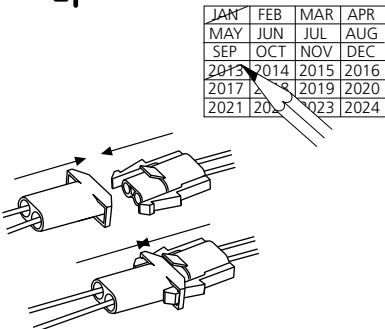
⚡ 230-240V~



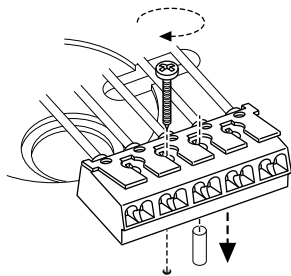
⚡ 230-240V~ + 1-10V



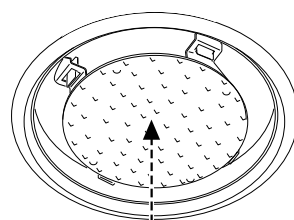
7 ⚡



8



9



10

