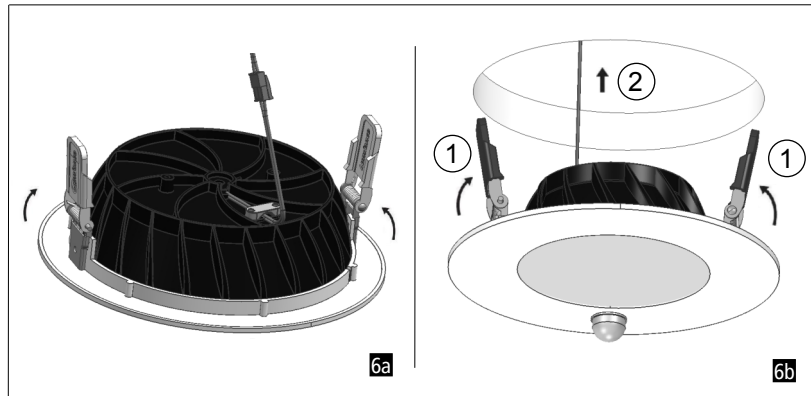
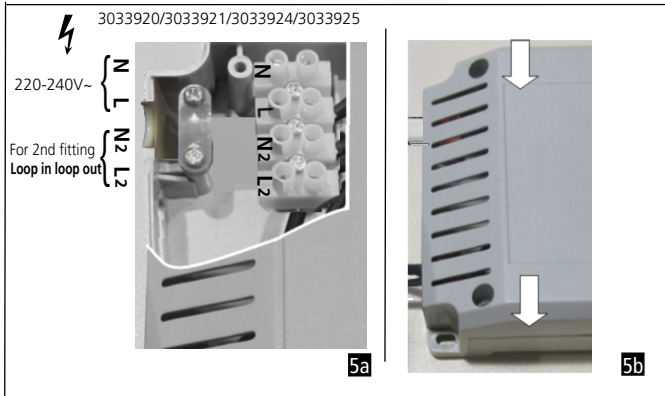
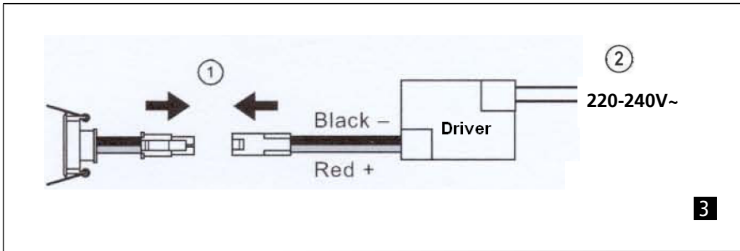
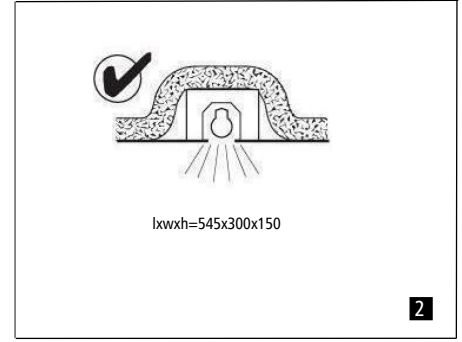
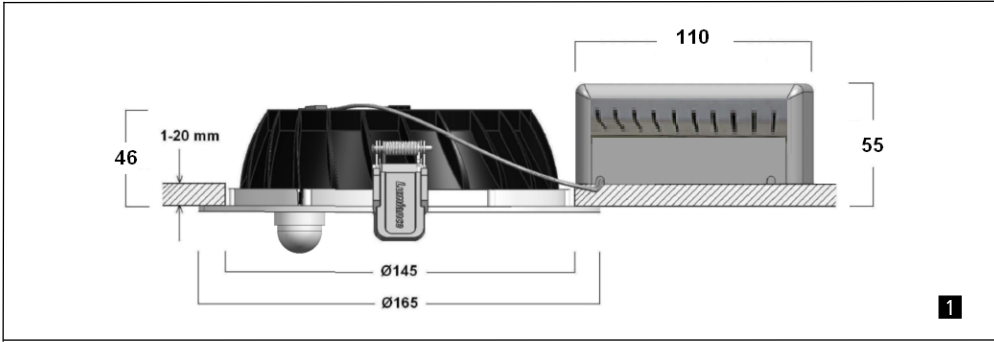
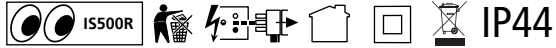
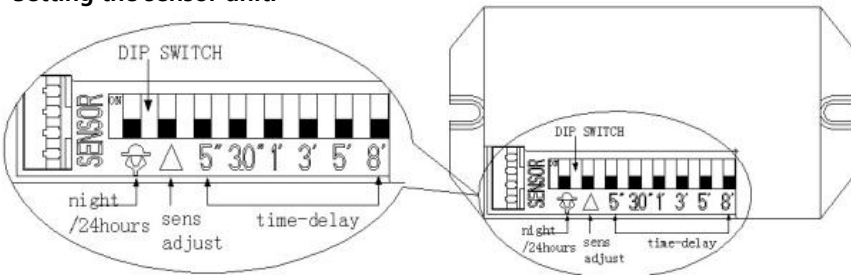


3033920 3033921 3033924 3033925



Setting the sensor unit:



Slide the LUX switch to SUN position (like the PIC. below is SUN). Slide the SENS switch to maximum (below is the maximum). Adjust the TIME switch, slide 5" switch to ON position. (slide upwards)

When you switch on the power, and preheat 30 seconds later, the load is turned on, in the absence of no inductor signals, the load should be stopped working within 5-30sec.

After the first is out, make it sense again after 5~10sec. The load should work. When there is no inductor signals in the indicator lamp, the load should be stopped working within 5sec.

Slide the LUX switch to MOON position; it is in 10LUX, the load should be not work in the daylight. If you cover the detection window with the opaque objects (towel etc), the load work .under no induction signal condition, the load should stop working within 5-15sec.

Note: when testing in daylight, please slide LUX switch to (SUN) position, otherwise the sensor lamp could not work!

Wiring diagram:

