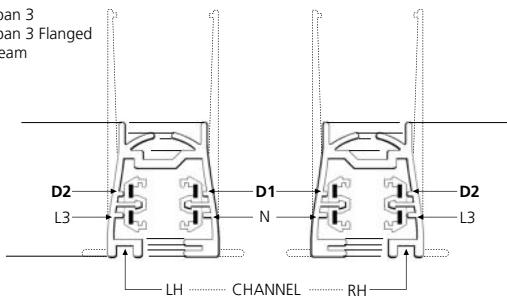


2051485
2051486
2051487
2051488
2051489
2051490

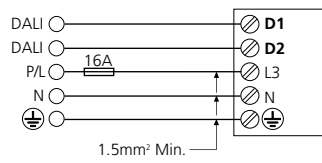
**For DALI Luminaires ONLY
fitted with DALI adaptors.**



Lytespan 3
Lytespan 3 Flanged
Lytebeam



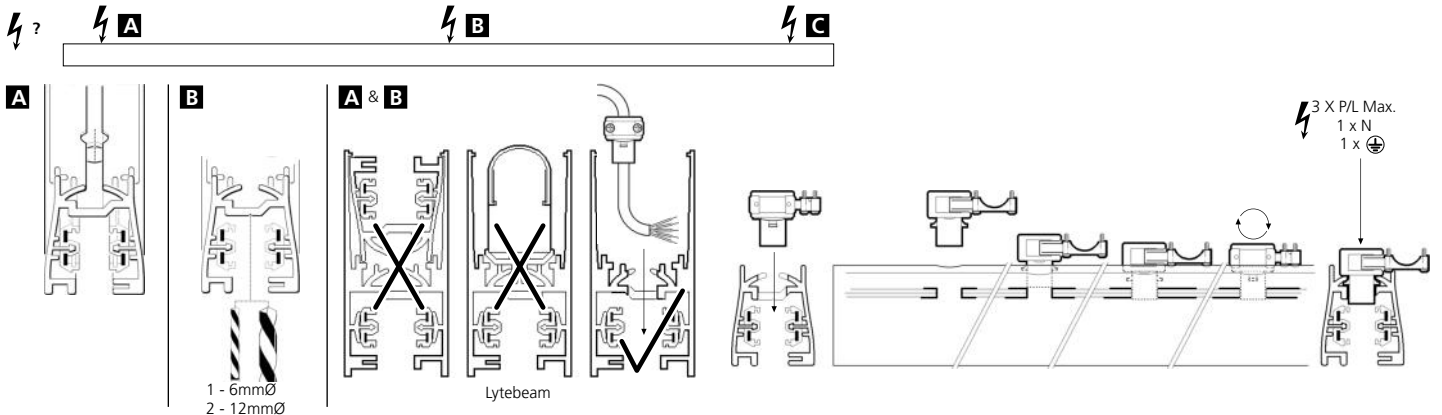
⚡ 400V = 3 x 3680W = 11040W Max.
415V = 3 x 3840W = 11520W Max



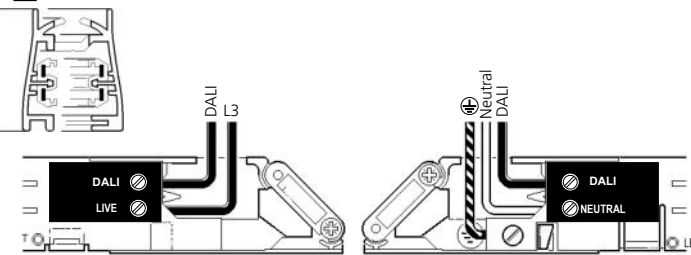
There can be no closed rings in the wiring and the maximum distance between the gateway and the DALI unit is 300 m.

Lead Length	Minimum Lead Diameter
up to 100 meters	0.5mm ²
100-150 meters	0.75mm ²
above 150 meters	1.5mm ²

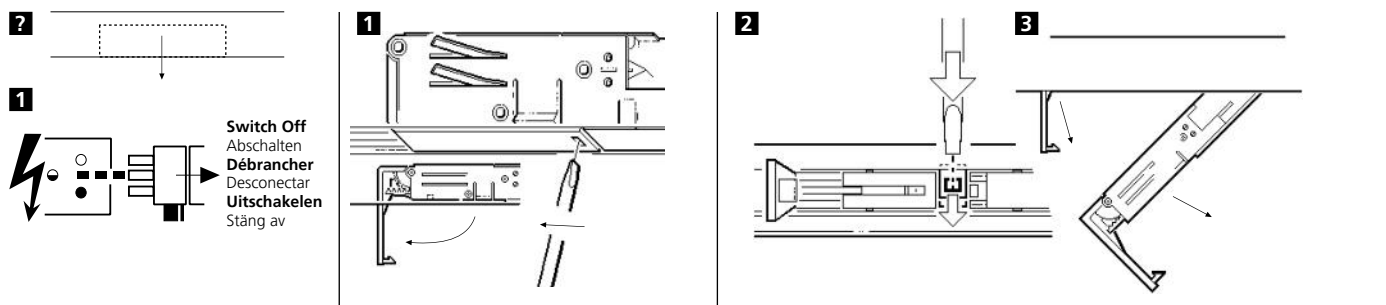
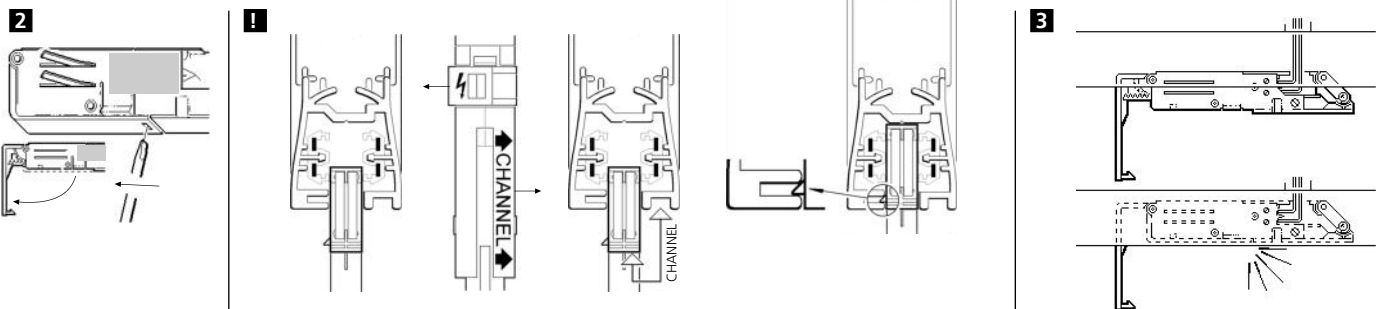
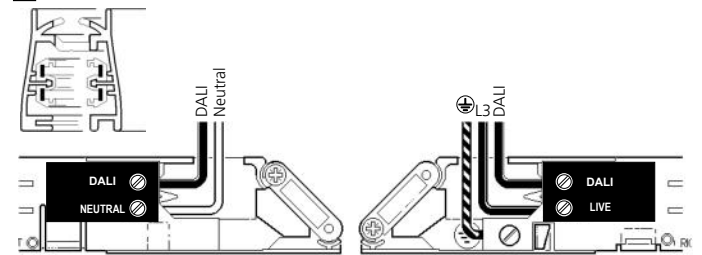
The maximum lead length between two connected systems must not exceed 300 meters.



1 LH - 2051488 2051489 2051490



1 RH - 2051485 2051486 2051487



Switch Off
Abschalten
Débrancher
Desconectar
Uitschakelen
Stäng av

**DO NOT INSULATION TEST
WITH SPOTLIGHTS INSTALLED
ON THESE TRACKS!**