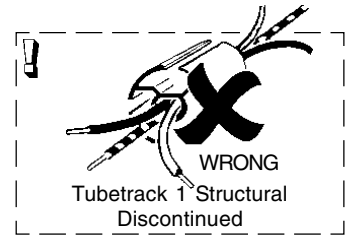
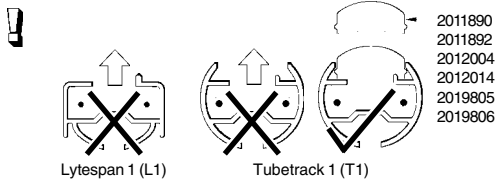
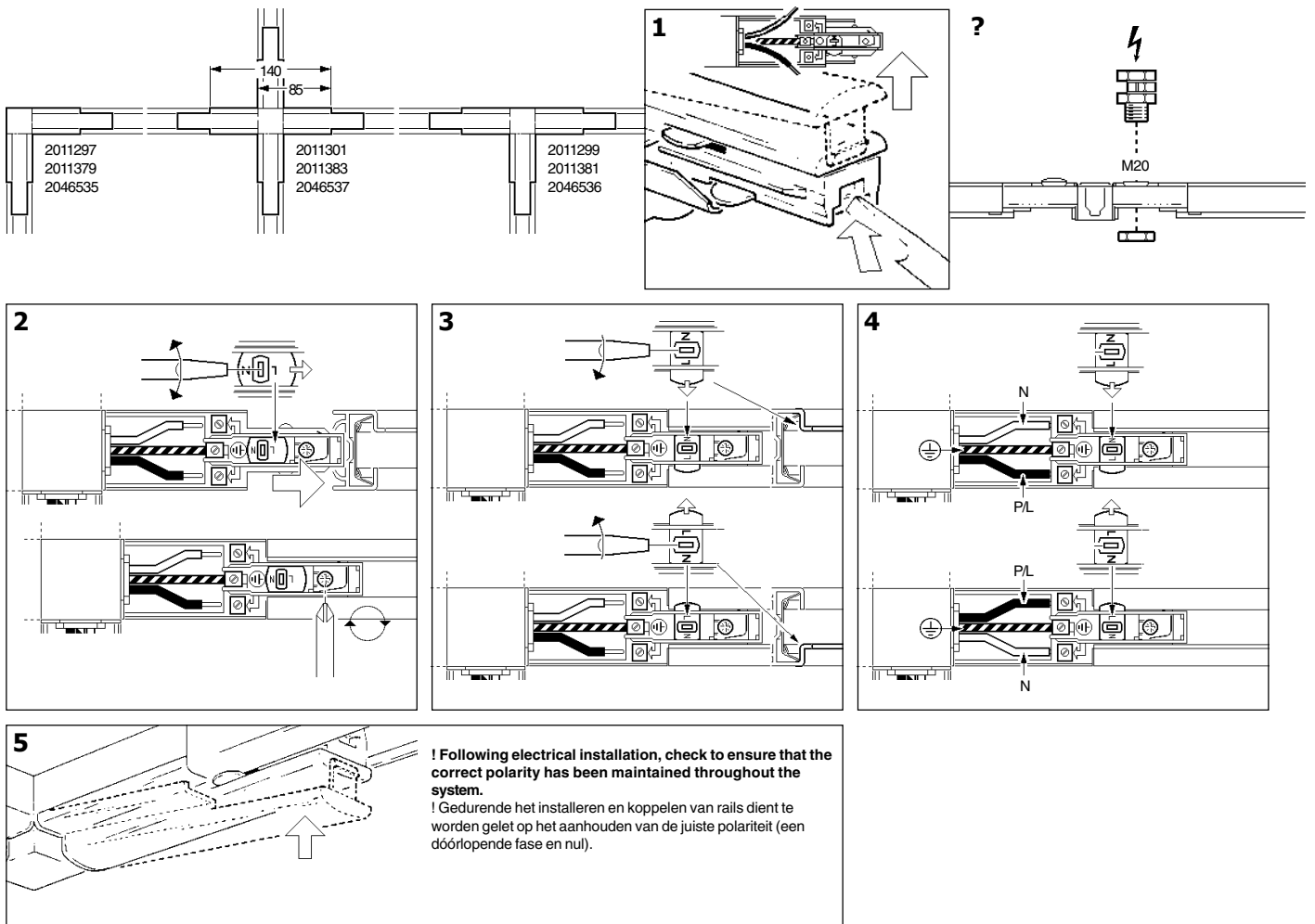


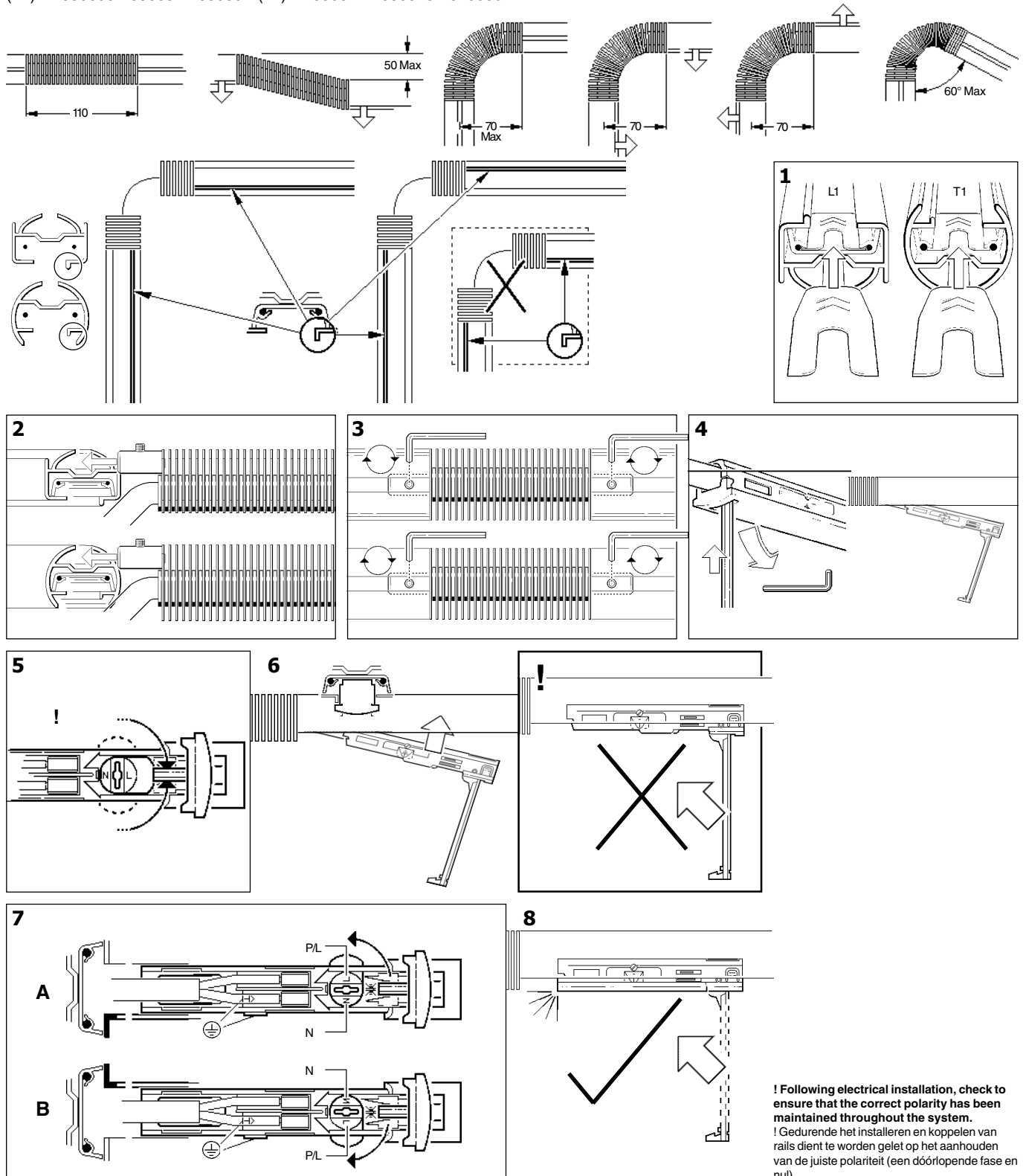
L1
 2011297 2011299 2011301 2011379 2011381
 2011383 2036027 2036052 2046535 2046536
 2046537 2046539
 T1
 2036050 2036051 2036052



(L1) - 2011297 2011299 2011301 2011379 2011381 2011383 2046536 2046537



(T1) - 2036050 2036051 2036052 (L1) - 2036027 2036028 2046539



These products are protected by the following Patent and Design registrations:
 U.K. 2113479, 2041665, 2105530, 2038469. European 0085478, 0074754. France 77596. U.S.A. 4557547, 4508400, 261134, 264206. Hong Kong 621/1983. Germany 3274604. Finland (Appl.) 507/94. International (Appl.) DM/030443.