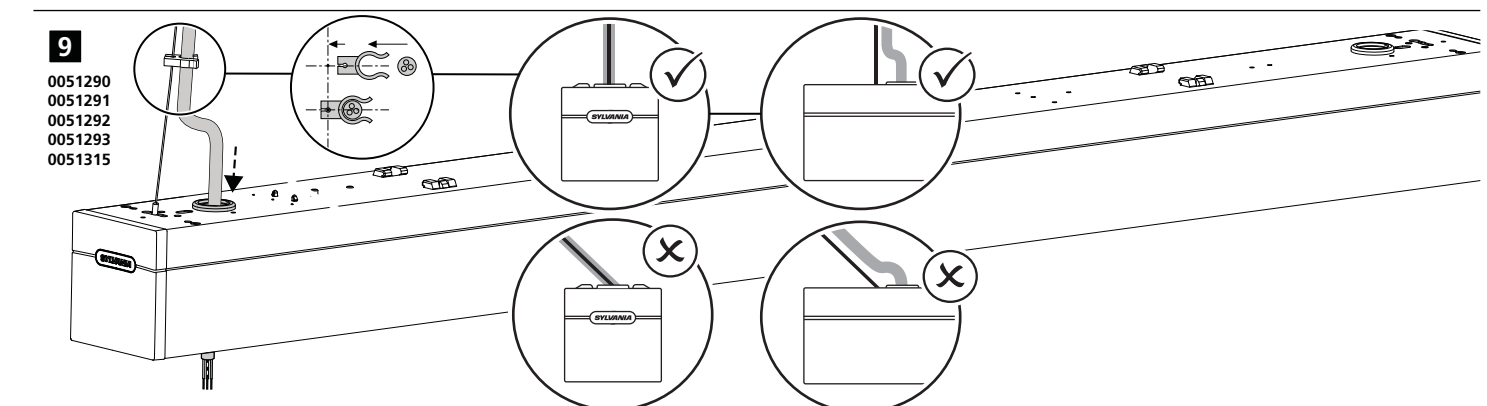
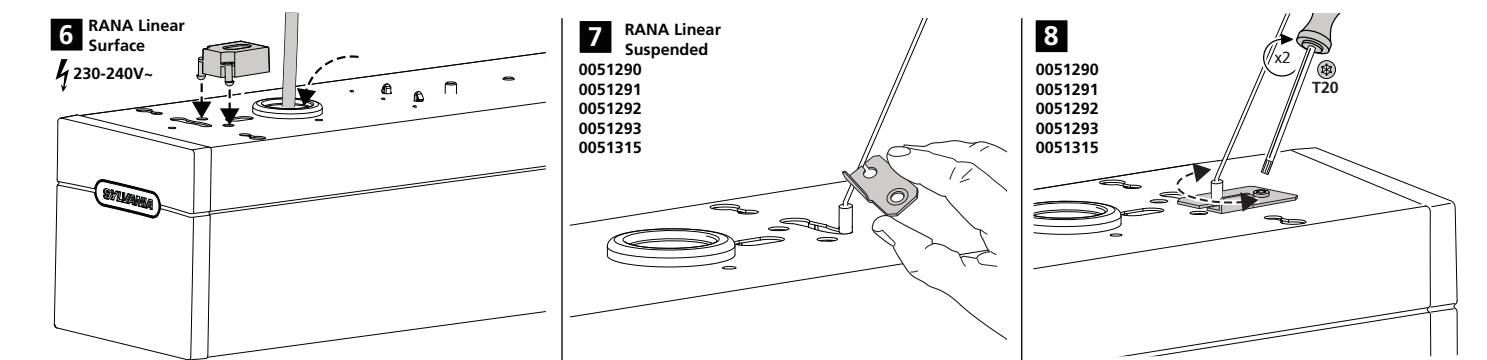
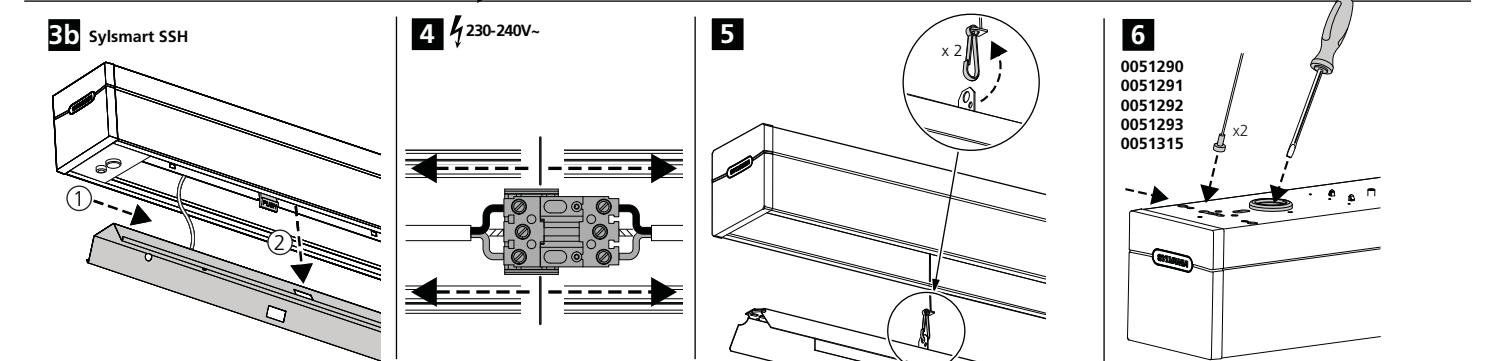
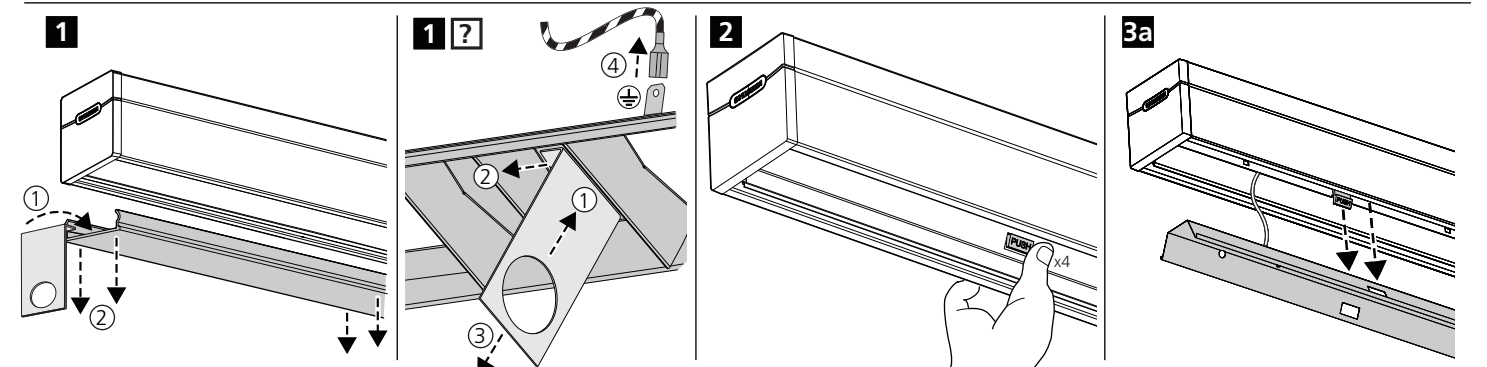
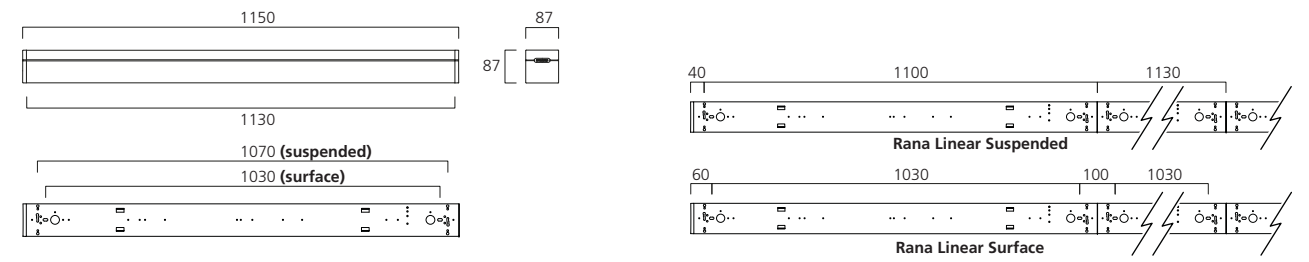
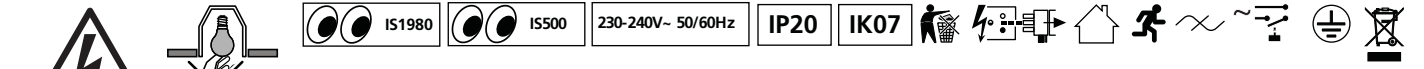
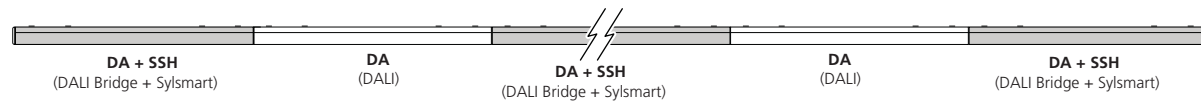
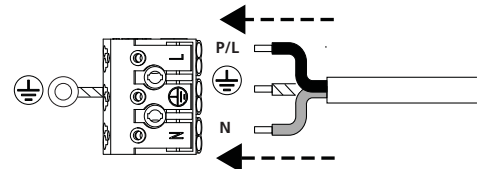


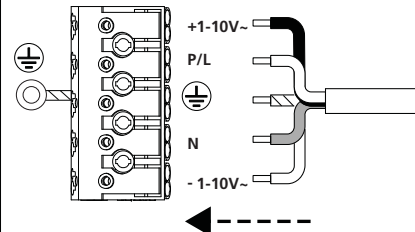
⚡ 230-240V~ + DALI Bridge + Sylsmart



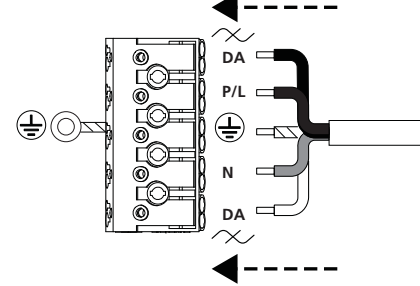
10 ⚡ 230-240V- /SSC/SSH



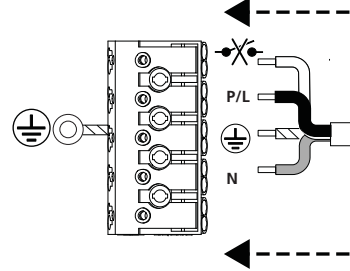
10 1-10V-



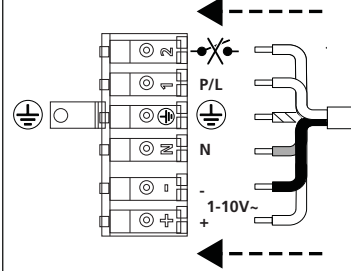
10 ~ DALI



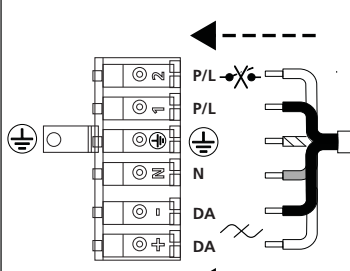
10 ⚡



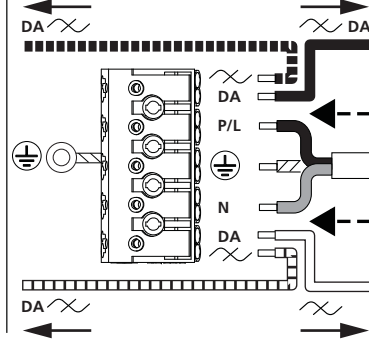
10 ⚡ + 1-10V-



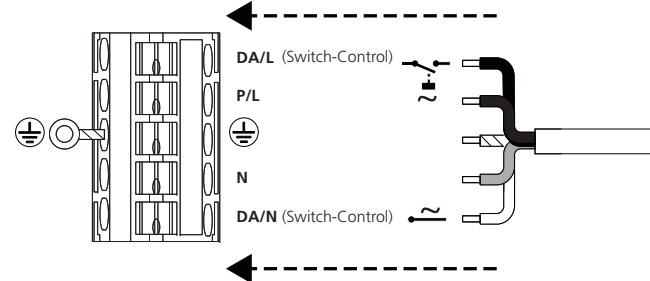
10 ⚡ + DALI ~



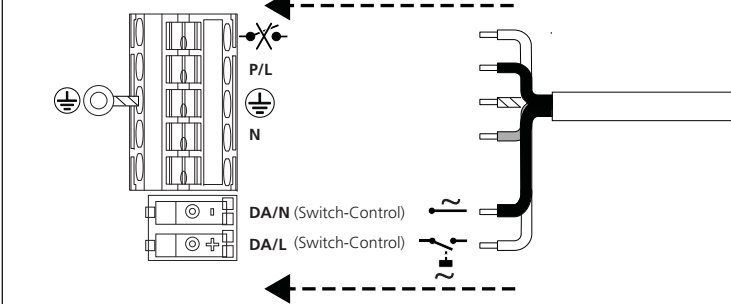
10 ⚡ 230-240V- + SSH + DALI Bridge



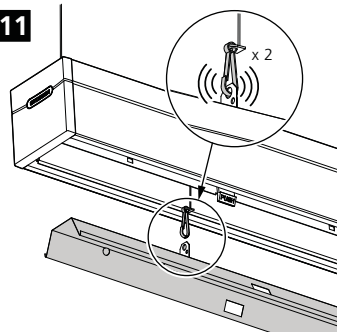
10 ~ Switch-Control



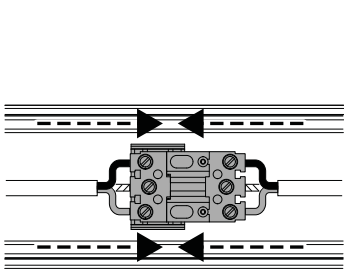
10 ⚡ + ~ Switch-Control



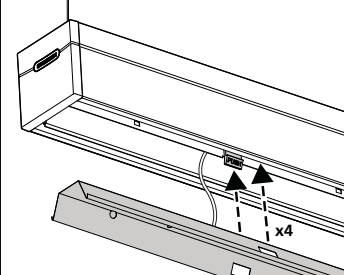
11



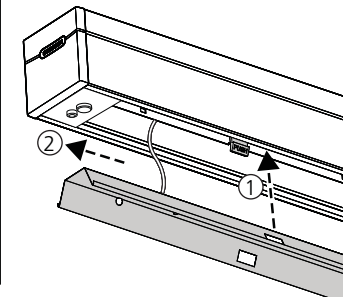
12 ⚡ 230-240V-



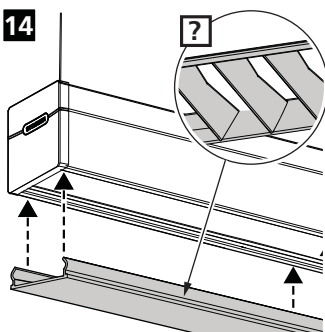
13a



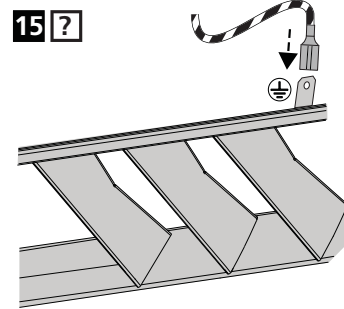
13b Sylsmart SSH



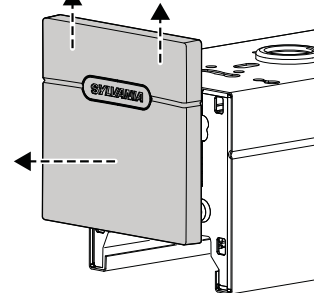
14



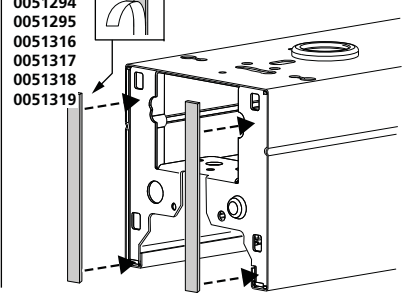
15 ?



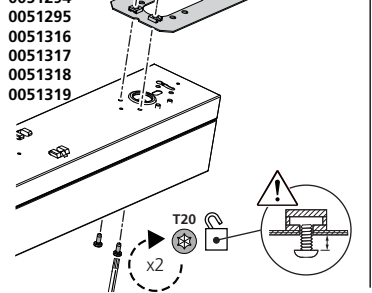
1 Continuous Line



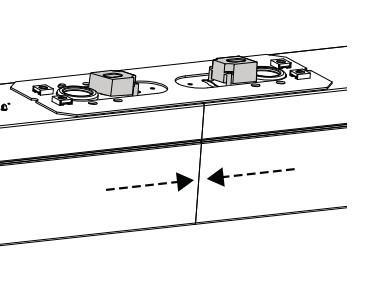
2 Continuous Line



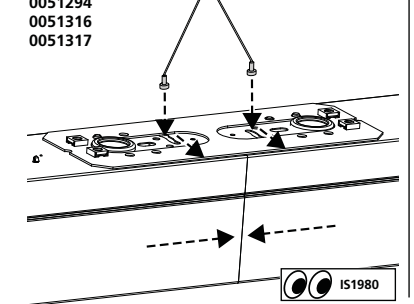
3 Continuous Line



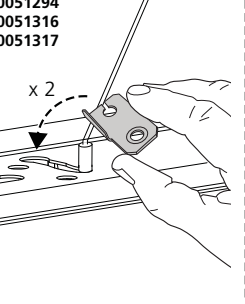
4 RANA Linear Surface Continuous Line



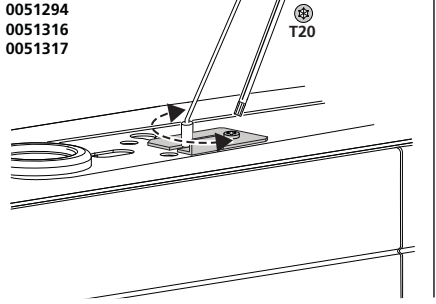
5 RANA Linear Suspended Continuous Line



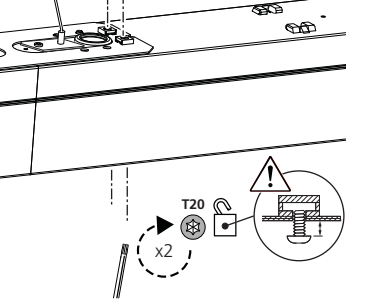
5a Continuous Line



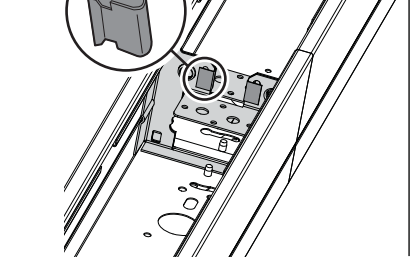
5b



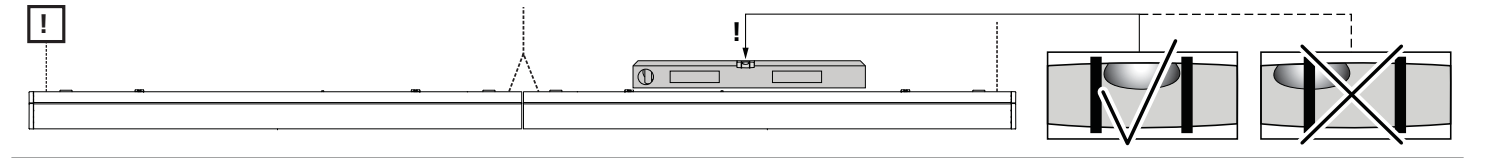
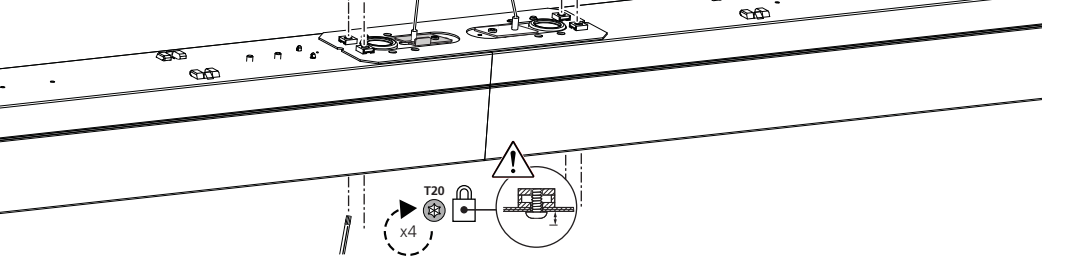
6



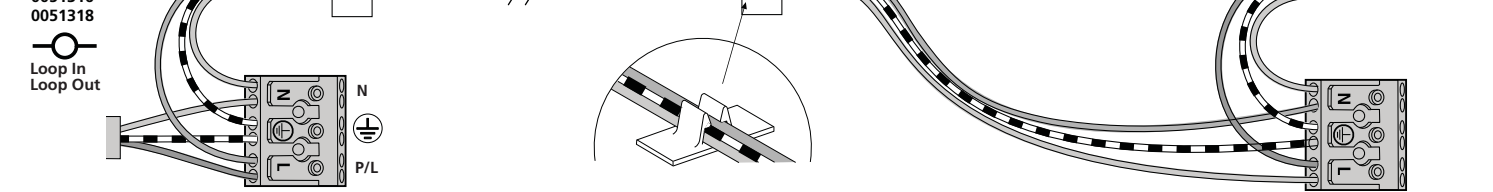
5



5a



6 ⚡ 230-240V-



6 ⚡ 230-240V- + DALI ~ /1-10V-

