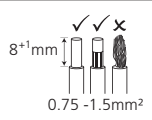
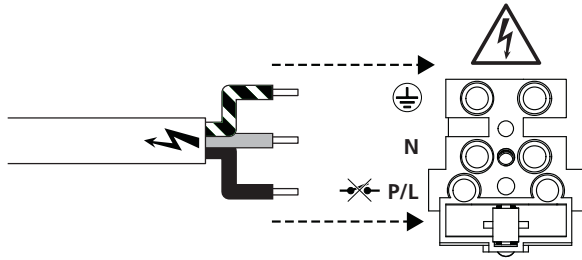
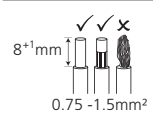
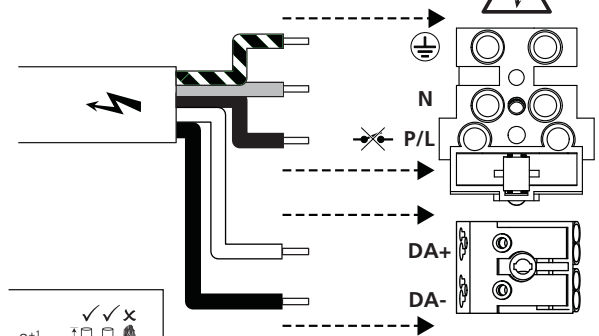


8a ⚡ 220-240V + ⚡



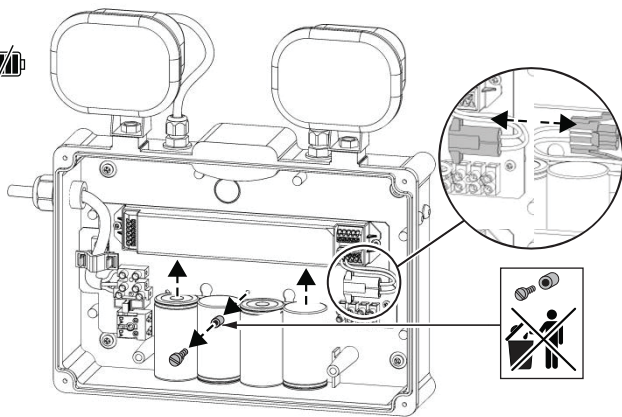
X	0	****E**	180
---	---	---------	-----

8b ⚡ 220-240V + DALI ~

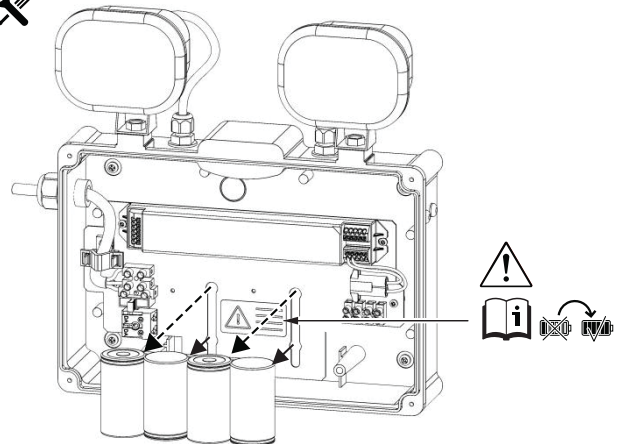


X	0	ABC*EF*	180
---	---	---------	-----

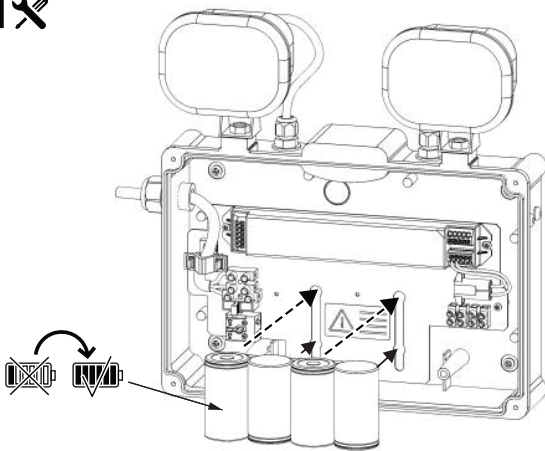
1 ⚡



2 ⚡



3 ⚡



4 ⚡

