

Microwave detectors - ceiling-mounted

Zone 2: Rest of Europe -
except UK, France,
Portugal, Germany,
Switzerland, Austria,
Slovak Republic, Ireland



FEATURES

- Switching detectors
- Adjustable time delay
- Dual sensitivity: independently configurable ON and OFF motion sensitivity
- Holds load on until occupant is no longer detected
- Self-contained unit
- No external control boxes, minimises installation time



0041564*



0041566*

ORDER CODE	DESCRIPTION	LOAD RATING AT 230VAC	
		R/I/F & CF	TIME DELAY
Occupancy-linked detectors with lux level sensing			
0041564*	Microwave occupancy detector with lux level sensing and time delay function	10A	15 sec to 30 min
0041566*	As 0041564*, plus suitable for damp environments (IP66) rating	10A	15 sec to 30 min

ACCESSORIES	DESCRIPTION
0041546	Handheld programming device
0041558	Surface mounting back box
0051562	Programming handset for lux level sensing and dimming detectors
0041594	Surface mounting back box extender ring
0041638	User handset override on/off; lux up/lux down (lux level sensing & dimming models)

R = Resistive; I = Incandescent; Fluorescent; CF = Compact Fluorescent



0041546



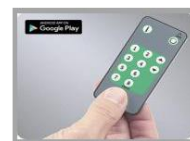
0041558



0041594

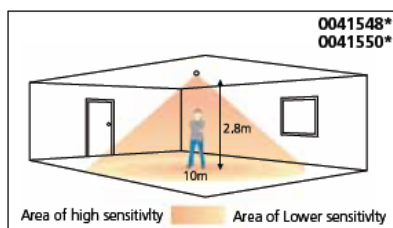


0041638

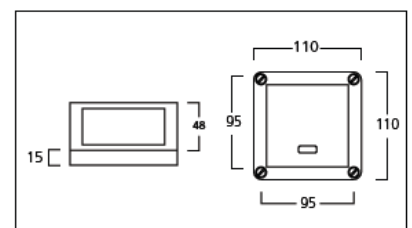
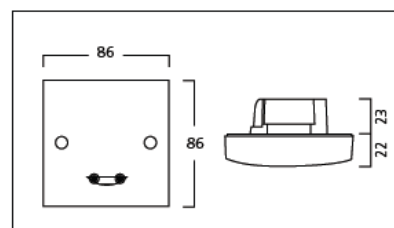


0041638

Detection pattern

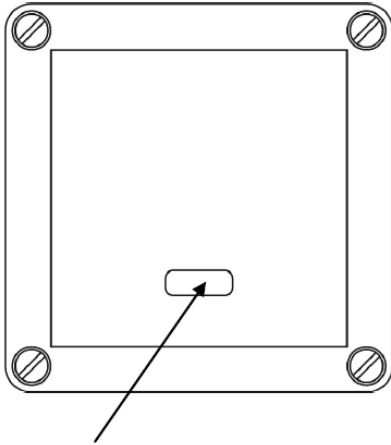


Dimensions (mm)



Features

Fig 1: Front features



Sensor Lens
which covers...

IR Receiver
Light Level Sensor
Status LED

Microwave Sensor

Detects movement within the unit's detection range, allowing load control in response to changes in occupancy.

IR Receiver

Receives control and programming commands from an IR (infrared) handset.

Light Level Sensor

An integral adjustable photocell allows the lights to be kept off if there is sufficient ambient light.

Presence detection

When movement is detected the load will automatically turn on. When the area is no longer occupied the load will automatically switch off after an adjustable time period.

Status LED

The LED flashes **Red** to indicate the following:

Walk Test LED active

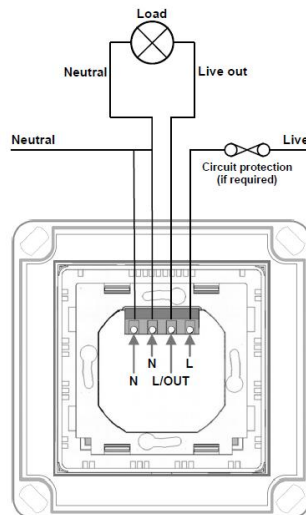


when movement is detected

Valid setting received



Wiring



To switch from more than one position simply wire two or more units in parallel to achieve two way and intermediate switching.

The detector should be sited so that the occupants of the room fall inside the detection pattern shown overleaf, at a recommended height of 2.8m for ceiling mounted sensors. Note that the higher the sensor is installed the shorter the detection range will be.

- Do not site within 1m of any lighting or ventilation equipment.
- Do not fix to a vibrating surface.
- Site as far away as possible from the surface of metal objects.
- Ensure that all cable entry to the enclosure is via suitable cable glands and seal with silicone sealant where appropriate.
- If it is necessary to screw through the rear of the enclosure ensure that any holes are covered with the caps provided and sealed with silicone sealant where appropriate.
- Note: when externally mounted the unit may be triggered by trees, animals, leaves etc.

Fault finding

What if the load does not turn ON?

- Strap across the L and LIVE OUT terminal to turn the load on
- If the supply and wiring are good, check the LUX level setting. Increase the LUX level setting to allow the controller to turn on at higher ambient natural light level.

What if the load does not turn OFF?

- Ensure that the area is left unoccupied for a greater time period than the time out period set using the switch.
- Make sure that the sensor is not adjacent to vibrating surfaces or objects (e.g. ventilation equipment).
- The unit may pick up movement through thin partitions or ceilings. Reduce the sensitivity.

Programming



The functionality of the 0041566 is controlled by a number of parameters which can be changed or programmed by any of the following devices:

- **Basic Programmer handset 0041546** – See instructions below
 - **Professional Programmer handset - 0041562** See user guide for full programming details.
- For most basic programming operations the UHS5 handset can be used and the following procedures are based on using this device.

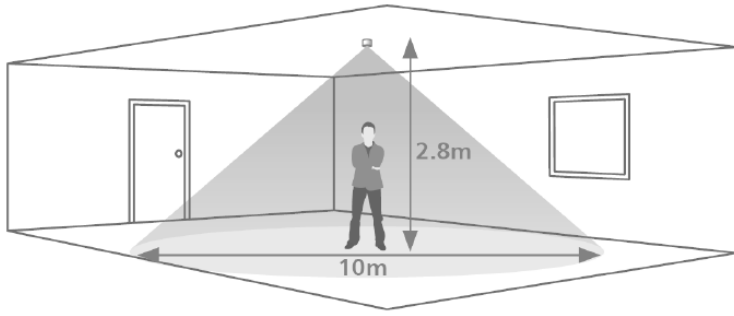
Point the handset at the Sensor and send the required programming commands to the unit as shown below.

Valid commands will be indicated by a red LED flash. See page 1 for details of other LED responses.

Note: other functions on the 0041546 which are not shown below are not applicable to this product.

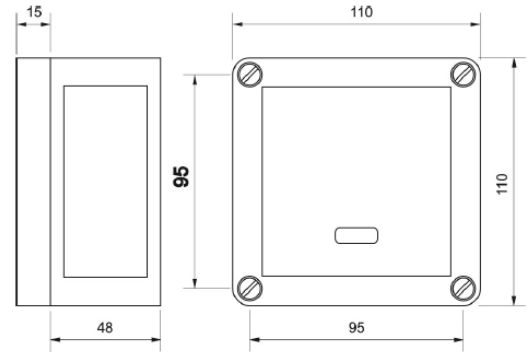
Parameter Name	Default Value	Number of Shift key presses				UHS5 Handset Graphics	Description
		0 SHIFT 1 SHIFT 2	1 SHIFT 1 SHIFT 2	2 SHIFT 1 SHIFT 2	3 SHIFT 1 SHIFT 2		
Button Activation							
On / Raise		On					Turn lights on.
Off / Lower		Off					Turn lights off.
Walk test	Off	On	Off				When set to On this causes a red LED to flash on the sensor when it detects movement. Use this feature to check for adequate sensitivity levels.
Time Out (Time adjustment)	10 mins	1, 10 & 20 minutes	5, 15 & 30 minutes				Once the detector is turned on, this value sets how long the lights will stay on once movement has ceased.
Lux on level (Switch level on)	9	2, 5 & 7	4, 6 & 9				Lux level setting to prevent the luminaires being switched on if the ambient light level is sufficient (adjustable between 1 and 9). The luminaires will always be switched on at level 9.
Lux off level (Switch level off)	9	2, 5 & 7	4, 6 & 9				Lux level setting to switch the luminaires off during occupancy if the ambient light level goes above the setting (adjustable between 1 and 9). Level 9 will always keep the lights on. This setting can be used for "window row switching".
Sensitivity	9	1, 5 & 9	3, 6 & 8				Sensitivity level for detecting movement. 1 = low sensitivity 9 = high sensitivity
Defaults			D				Returns the unit to the default settings.
Shift							Use this button to select the settings in red and blue signified by the 'Shift 1' and 'Shift 2' LEDs

Detection pattern




Area of high sensitivity  Area of lower sensitivity 

Dimensions



Technical data

Supply Voltage	230VAC +/- 10%
Frequency	50Hz
Power consumption	On 1.15W Off - 790mW
Load	10A of lighting and or ventilation including incandescent, fluorescent, compact fluorescent, low voltage (switch primary or transformer).
Weight	0.25kg
Terminal Capacity	2.5mm ²
Time out period	Adjustable 10 seconds to 99 minutes.
Light level	Optional adjustment by using IR programming handsets.
Fixing method	Surface fixing by screws (not supplied).
Temperature	-10°C to 35°C
Humidity	5 to 95% non-condensing
Material (casing)	Polystyrene Type Class 2
IP rating	IP 66
Compliance	EMC-2004/108/EC  LVD-2006/95/EC
Safety	The microwave radiation emitted by these units is extremely low power. At a distance of > 50mm the power density is <6% of the ANSI IEEE C95.1 –1991 recommended microwave power density. At a distance of 5mm from the unit it is <84% of recommended power density.

Frequency compatibility

The allowable frequency of operation of this product is different depending on region. Please select the correct order code using the table below.

Zone	Region	Frequency
Blank (1)	UK, China, India, Middle East, Malaysia, Hong Kong, Singapore	10.587GHz
2	Australia and all of Europe <i>except</i> : UK, France, Portugal, Germany, Switzerland, Austria, Slovak Republic, Republic of Ireland	10.525GHz
5	Republic of Ireland	10.41GHz