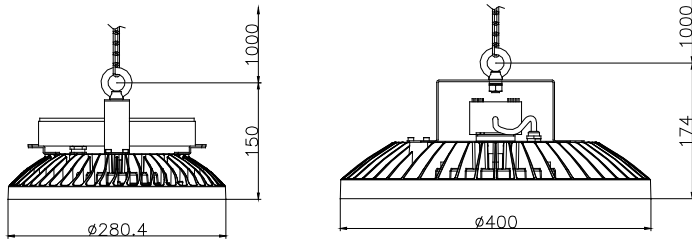


0039310-0039313
 0039314-0039317
 0039318-0039320
 0039323-0039324



1



0039310-0039313
 0039319

MCB (Max)	No. of $\phi 280$	No. of $\phi 400$
16 B	5	2
16 C	8	3

	Inrush Current Peak	Mains Current Pulse time half peak
$\phi 280$	50.4A(max)	0.48 ms
$\phi 400$	57.5A(max)	0.88 ms

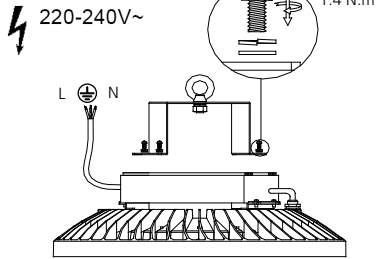
0039314-0039317

MCB (Max)	No. of $\phi 280$	No. of $\phi 400$
16 B	4	2
16 C	7	3

	Inrush Current Peak	Mains Current Pulse time half peak
$\phi 280$	62.2A(max)	0.28 ms
$\phi 400$	57.5A(max)	0.88 ms

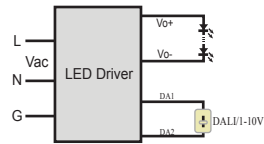
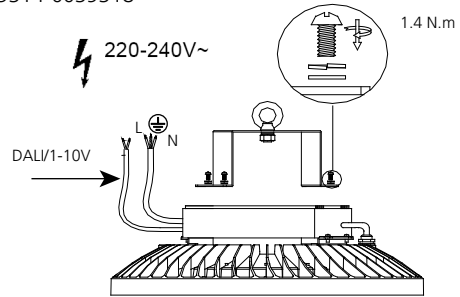
a

0039310-0039313
 0039323-0039324

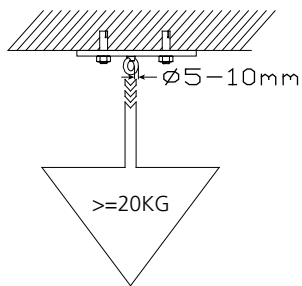


L	Brown
N	Blue
\oplus	Yellow/Green

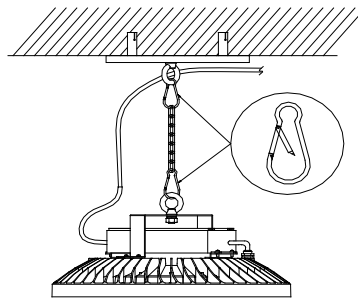
0039314-0039318

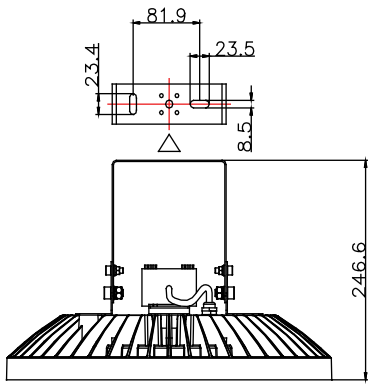


b

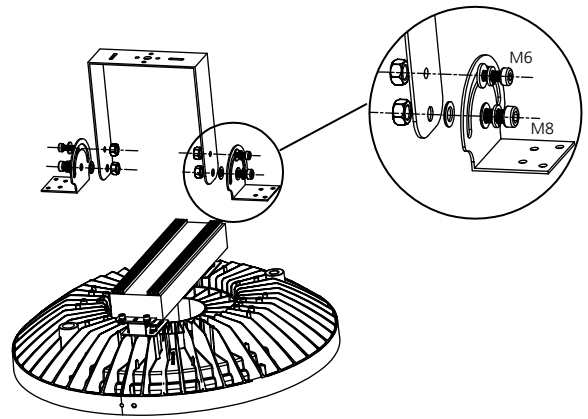


c

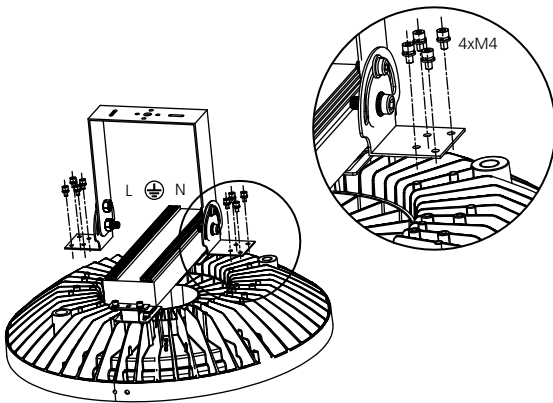




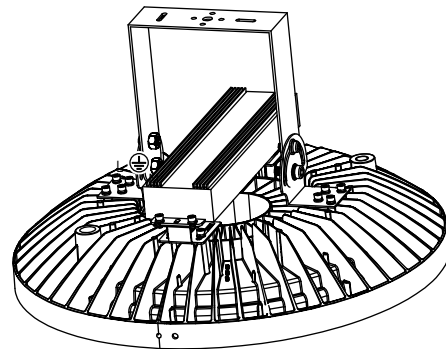
a



b



c



d

