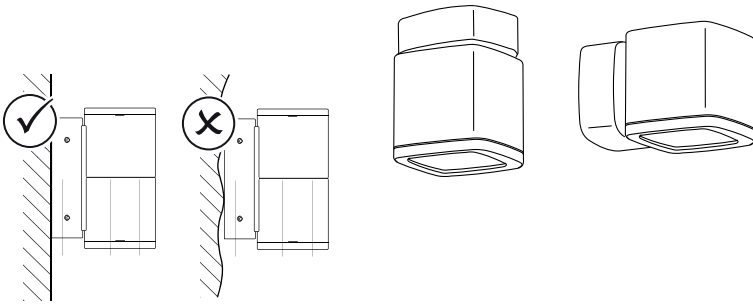
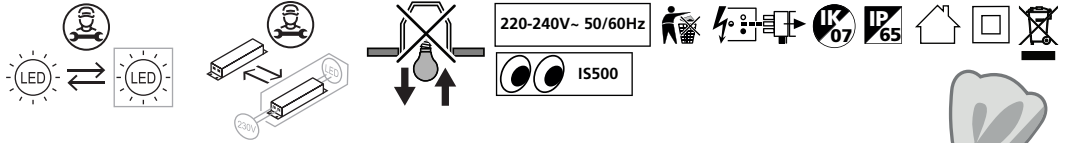


INVERTO



(A)	x2		IP65 M16 Cable Gland
(B)	x4		Sleeve

