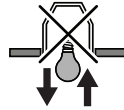
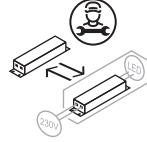
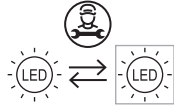


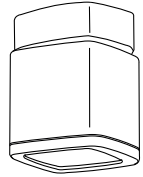
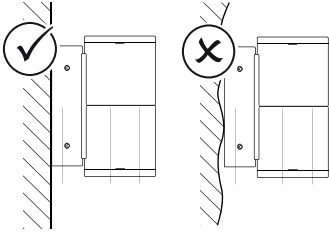


3080025-3080032
 3080037-3080044 Direct/Indirect
 3080073-3080080
 3080085-3080092
 3080097-3080104 Direct/Indirect
 3080133-3080140

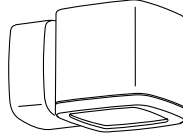


230-240V~ 50/60Hz

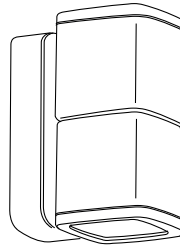
IS500



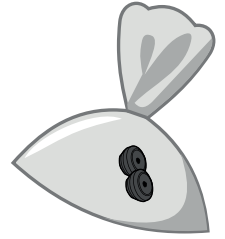
3080073-3080080
 3080133-3080140



3080025-3080032
 3080085-3080092

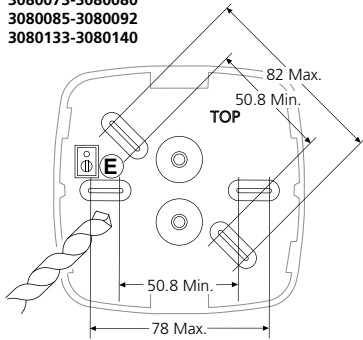


3080037-3080044
 3080097-3080104

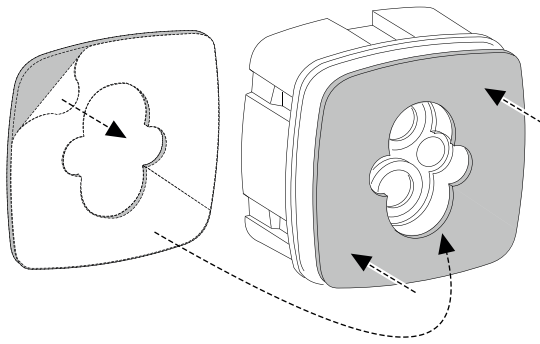


(A)	x2			M16 Cable Gland
-----	----	--	--	-----------------

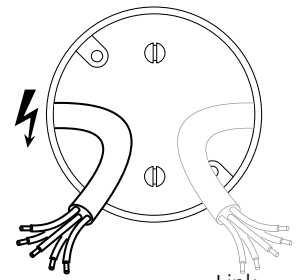
1 3080025-3080032
 3080073-3080080
 3080085-3080092
 3080133-3080140



2

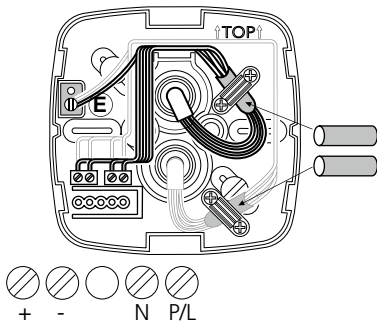


3 230-240V~
 5 x 1.5mm² Min.
 1 x P/L, 1 x N, 1 x ⊕, 1 x +, 1 x -



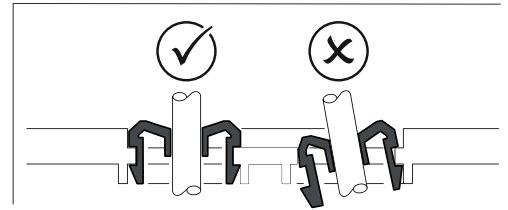
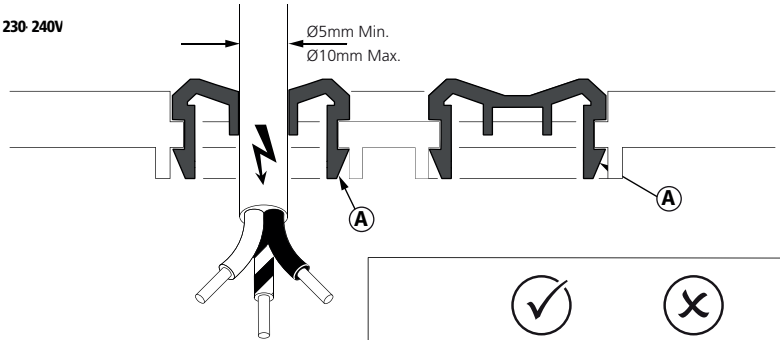
Link
 (25 max
 2x 1.0mm²)

4

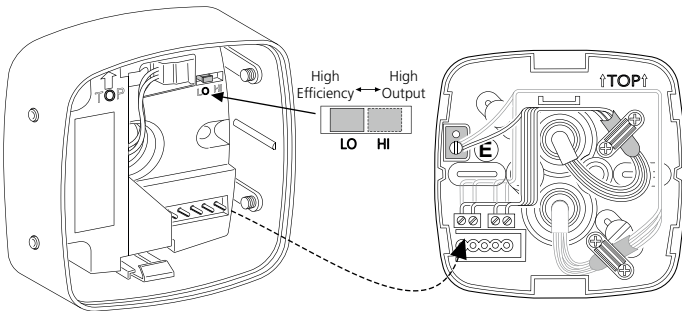


+ - N P/L

4 230 240V

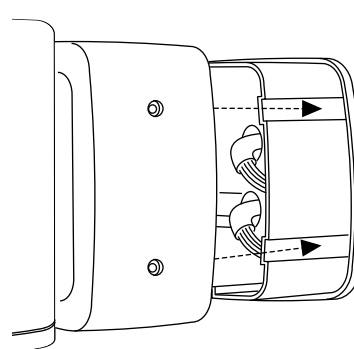


5

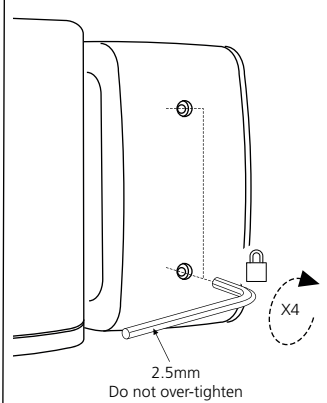


High Efficiency ↔ High Output
 LO HI

6

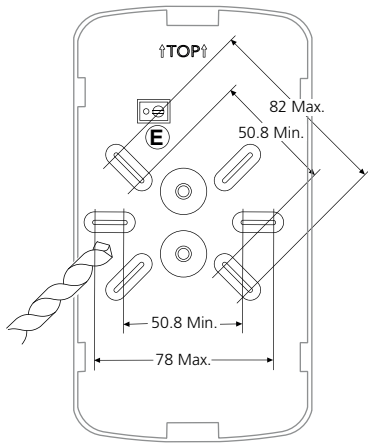


7

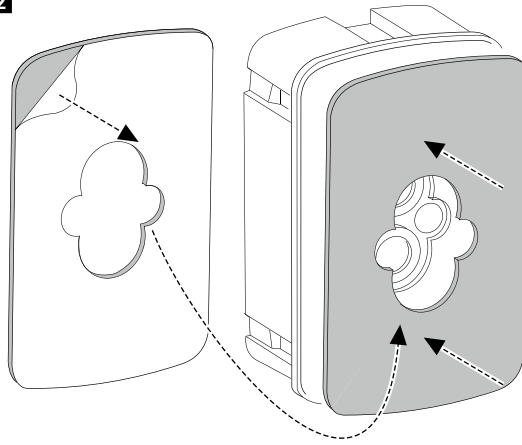


2.5mm
 Do not over-tighten

1 3080037-3080044
3080097-3080104

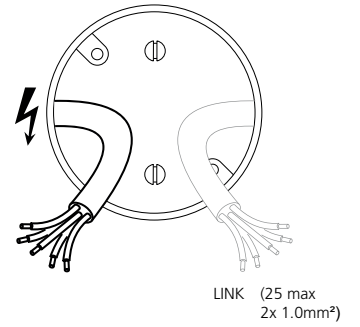


2

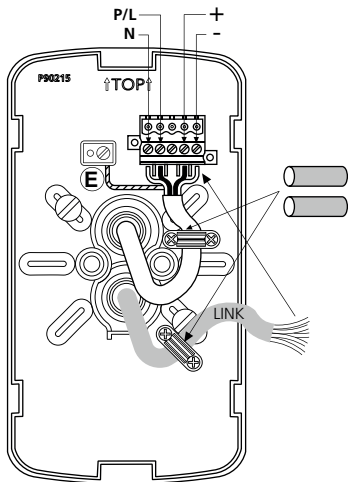


3

230-240V~
5 x 1.5mm² Min.
1 x P/L, 1 x N, 1 x \oplus , 1 x +, 1 x -

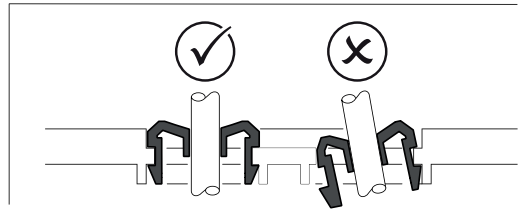
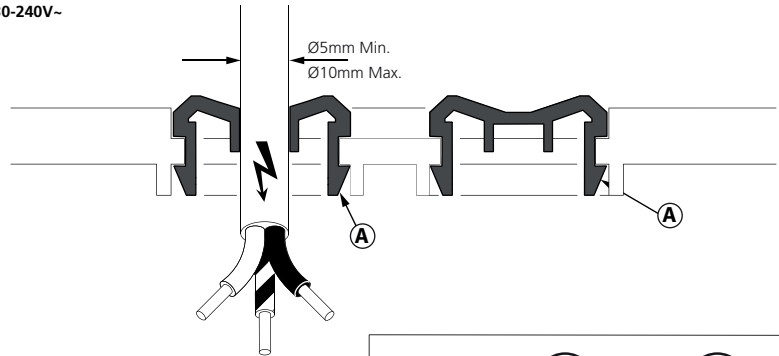


4

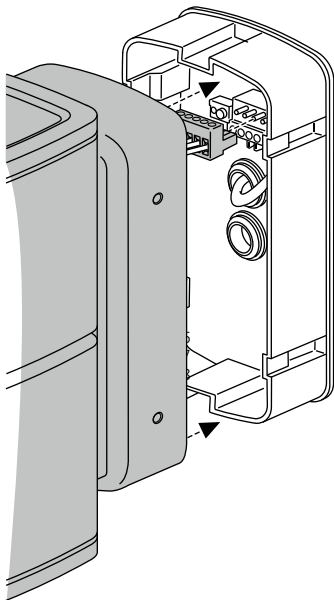


! 230-240V~

IP
65



5



6

