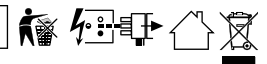
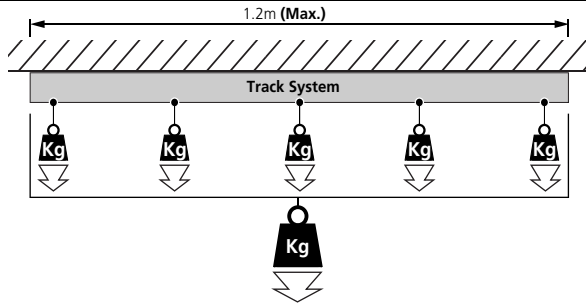


Rod and Wire Suspensions

IS1045H

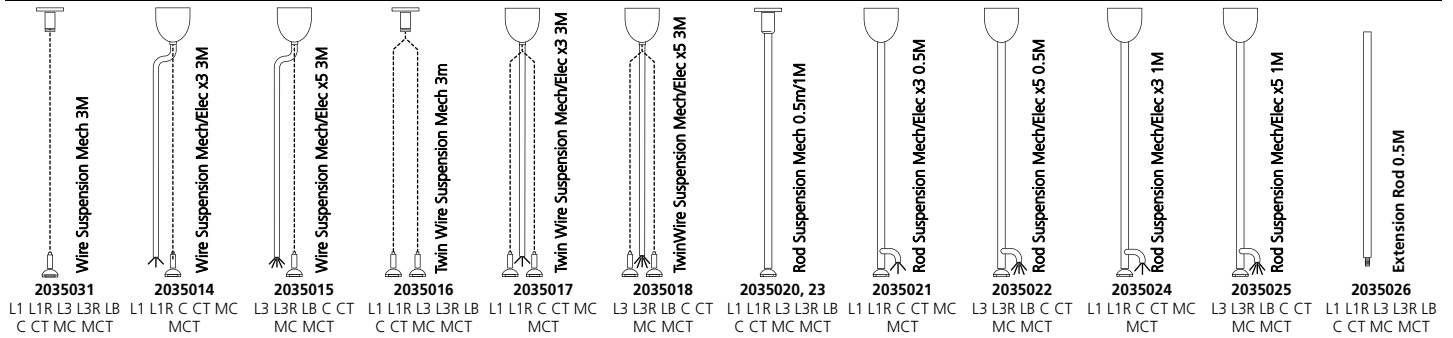
Continuum (C)
Continuum Trim (CT)
Mini Continuum (MC)
Mini Continuum Trim (MCT)

Lytebeam (LB)
Lytespan 1 (L1)
Lytespan 1 Recessed (L1R)
Lytespan 3 (L3)
Lytespan 3 Recessed (L3R)

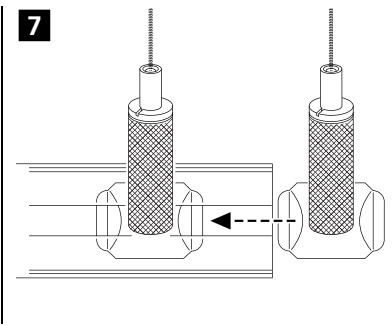
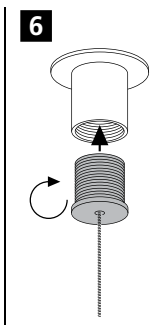
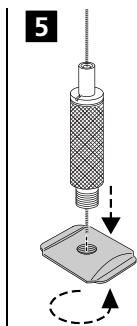
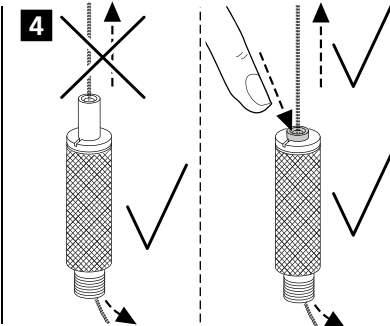
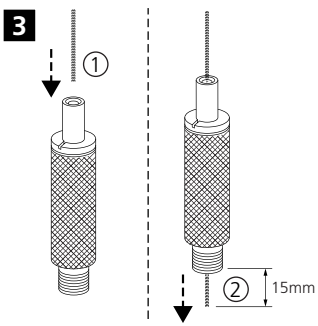
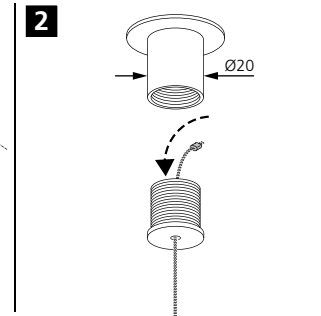
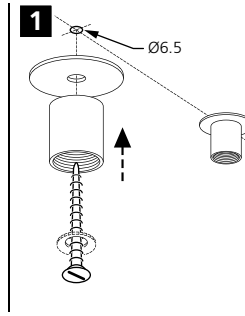
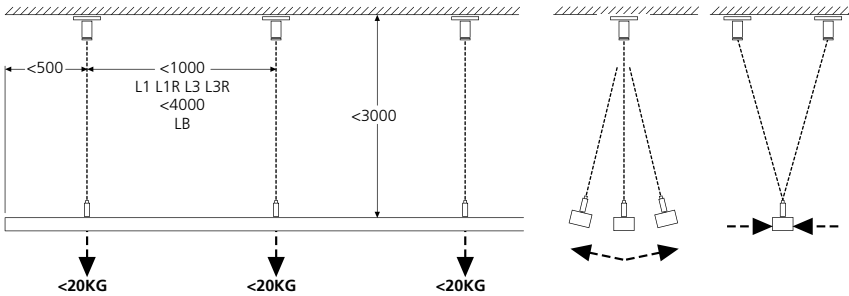


UK C CT MC MCT L1 L1R T1 L3 L3R LB 1 x 16A Max 1 x P/L 1 x N 1 x	UK C CT MC MCT L3 L3R LB 1 x 16A Max 3 x P/L 1 x N 1 x
--	--

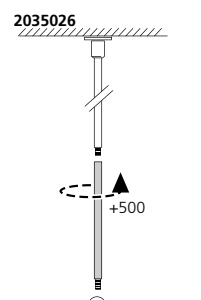
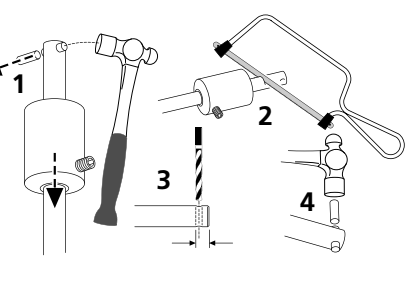
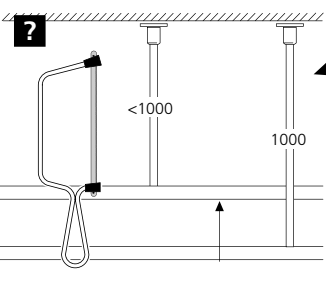
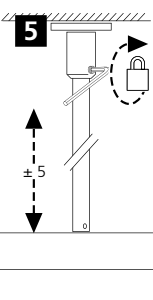
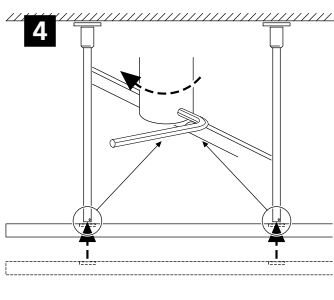
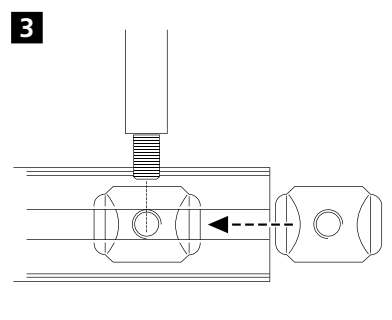
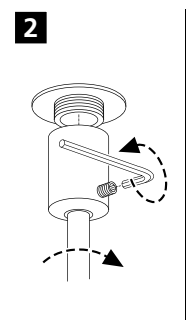
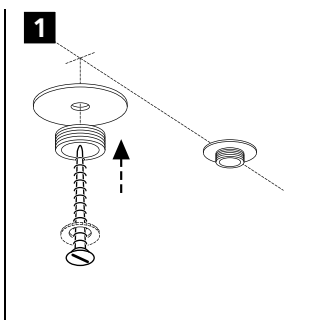
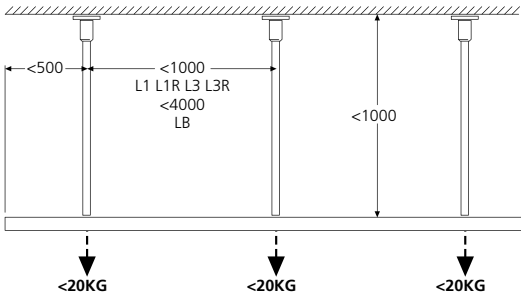
Track System	Kg (Max.)	
	Distributed	Point
Lytespan 1	7.4Kg	4.6Kg
Recessed Lytespan 1	21.6Kg	13.5Kg
Lytespan 3	32.0Kg	20.0Kg
Recessed Lytespan 3	46.0Kg	28.5Kg



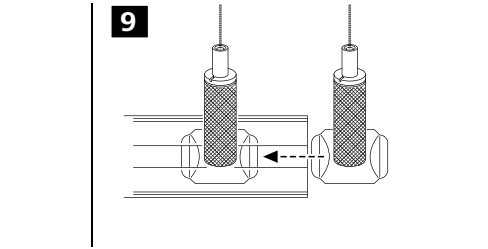
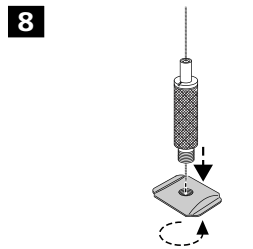
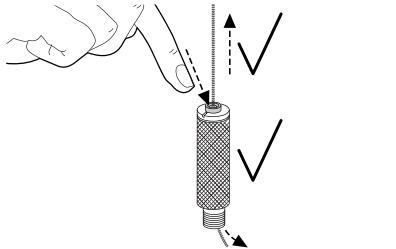
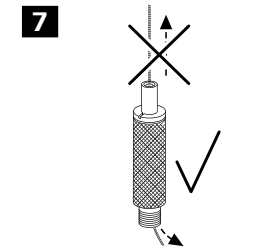
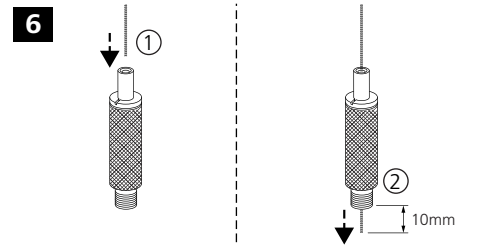
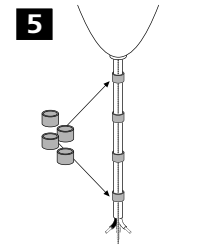
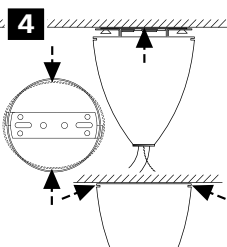
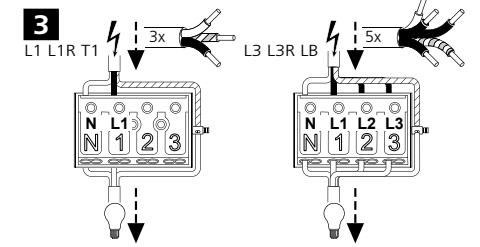
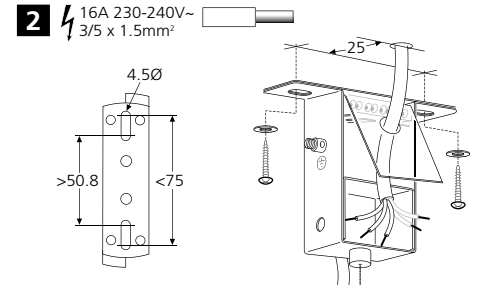
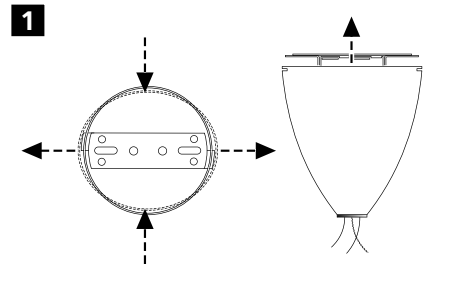
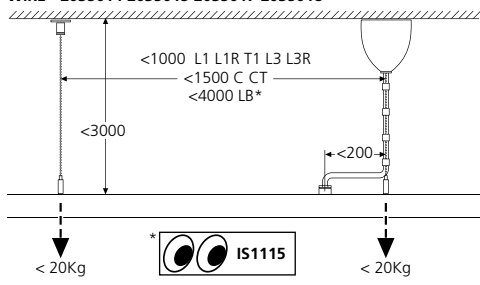
WIRE - 2035031 2035016



ROD - 2035020, 2035023



WIRE - 2035014 2035015 2035017 2035018



ROD - 2035021 2035022 2035024 2035025

