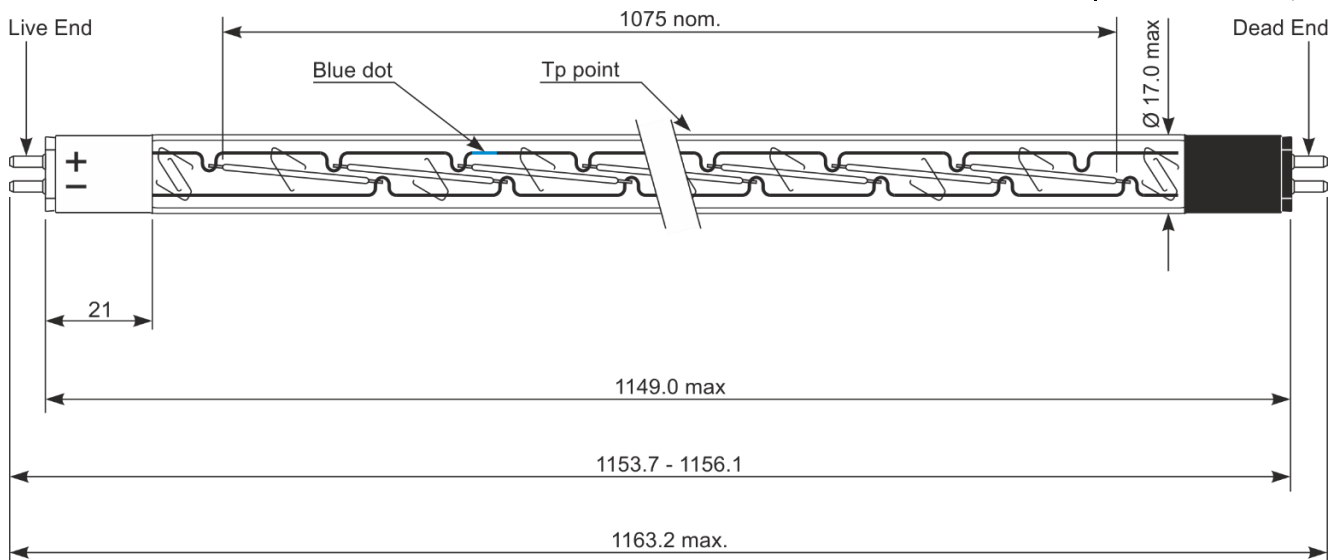


### MECHANICAL DATA:

Energy Class : **C**



Bulb type : T5

Cap type : G5

Finish : Clear

### ELECTRICAL DATA:

		Standard setting	FHE35 setting	FHO80 setting
Lamp Power ( $P_{on}$ )	(W)	29.3	14.1	28.6
Lamp Standby Power ( $P_{sb}$ )	(W)	0	0	0
Lamp Voltage	(V)	65	65	65
Lamp Current	(mA)	450	217	440
Energy Consumption per 1000h	(kW/h)	30	15	29
Displacement Factor	(Cos $\phi$ 1)		N/A	
Supply Frequency	(Hz)		DC	

### PHOTOMETRIC DATA:

		Standard setting	FHE35 setting	FHO80 setting
Useful Luminous Flux (360°)	(lm)	5725	2925	5600
Luminous Efficacy	(lm/W)	195	207	196
Total Mains Efficacy ( $\eta_{TM}$ )	(lm/W)	181	192	181
Dominant Wavelength	(nm)		545	
Spectral Saturation	(%)		65	
Chromaticity Co-ordinates	(x,y)		CCx=0.290 , CCy=0.585	
Chromaticity Tolerance	(SDCM)		6-step MacAdam Ellipse	
Max. Actinic Radiation <500nm	(%)		N/A	
Flicker ( $P_{stLM}$ )			N/A	
Stroboscopic Effect (SVM)			N/A	

### OTHER DATA:

		Standard setting	Min	Max
Rated Median Lifetime to $L_{70}B_{50}$	(h)	25,000		
Ta Ambient temperature	(°C)	25	-40	50
Tp Point	(°C)	35	-	55
Burning Position			Universal	

### APPLICATION:

IP68 hermetically sealed & silicone-free construction. Suitable for indoor / outdoor use.  
 Use constant current DC LED drivers, connect multiple lamps in series. Dimmable to 0%.  
 Rated life is in free air at 25°C. Use at other ambient temperatures may influence actual life.  
 Complies with relevant clauses of IEC62776, IEC62560, IEC62031, IEC62612, IEC62717.

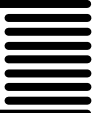
Issued by : TIENEN

Revision date : 09-II-2023

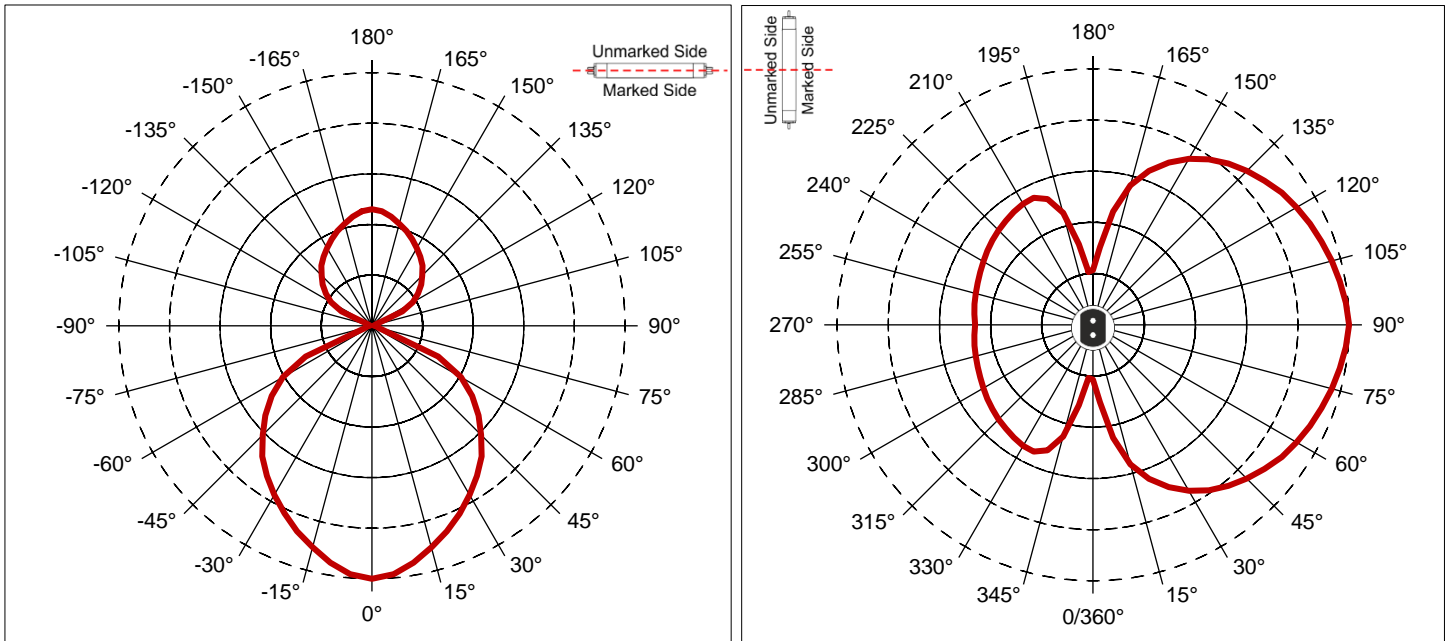
## DATA SHEET

Specification No. : 70-TD-0085533/-

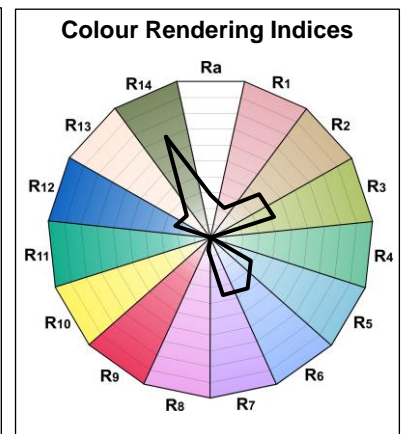
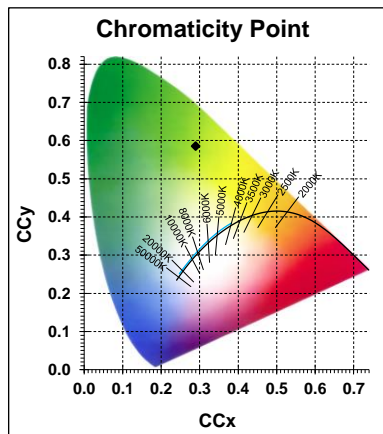
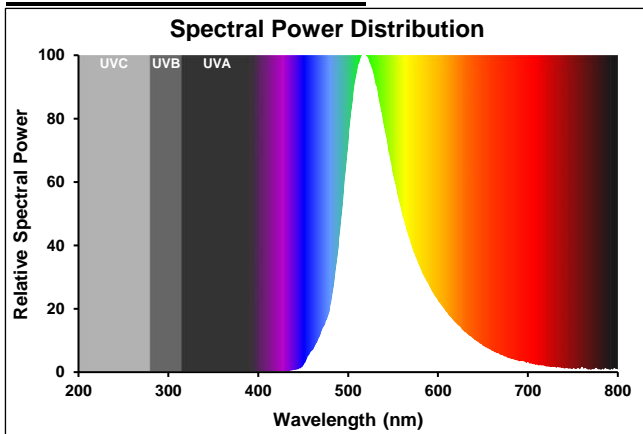
Page : 1 of 2



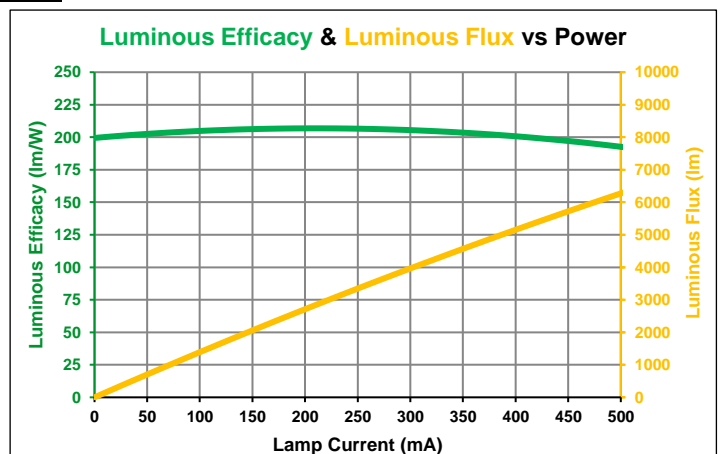
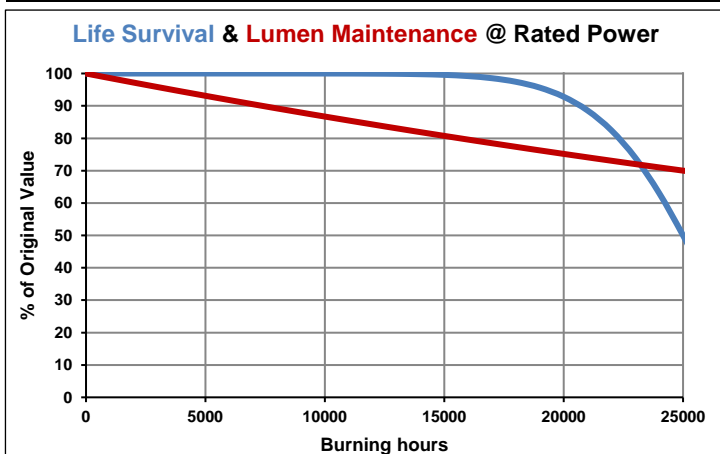
## PHOTOMETRIC GRAPHICS:



## SPECTRAL GRAPHICS:



## PERFORMANCE GRAPHICS: (Under Consideration)



Issued by : TIENEN  
Revision date : 09-II-2023

## DATA SHEET

Specification No. : 70-TD-0085533/-  
Page : 2 of 2