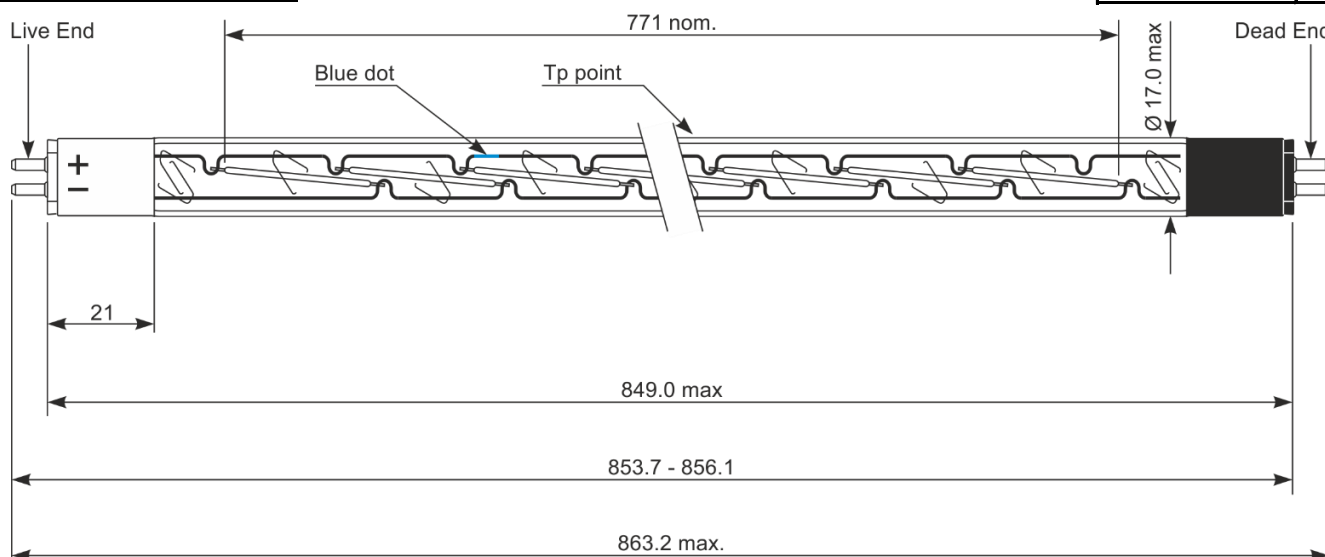




MECHANICAL DATA:

Energy Class : **C**



Bulb type : T5

Cap type : G5

Finish : Clear

ELECTRICAL DATA:

		Standard setting	FHE21 setting	FHO39 setting
Lamp Power (P_{on})	(W)	16.3	8.1	14.1
Lamp Standby Power (P_{sb})	(W)	0	0	0
Lamp Voltage	(V)	65	65	65
Lamp Current	(mA)	250	125	217
Energy Consumption per 1000h	(kW/h)	17	9	15
Displacement Factor	(Cos ϕ 1)		N/A	
Supply Frequency	(Hz)		DC	

PHOTOMETRIC DATA:

		Standard setting	FHE21 setting	FHO39 setting
Useful Luminous Flux (360°)	(lm)	3175	1675	2800
Luminous Efficacy	(lm/W)	195	206	199
Total Mains Efficacy (η_{TM})	(lm/W)	180	191	184
Dominant Wavelength	(nm)		545	
Spectral Saturation	(%)		65	
Chromaticity Co-ordinates	(x,y)		CCx=0.290 , CCy=0.585	
Chromaticity Tolerance	(SDCM)		6-step MacAdam Ellipse	
Max. Actinic Radiation <500nm	(%)		N/A	
Flicker (P_{stLM})			N/A	
Stroboscopic Effect (SVM)			N/A	

OTHER DATA:

		Standard setting	Min	Max
Rated Median Lifetime to $L_{70}B_{50}$	(h)	25,000		
Ta Ambient temperature	(°C)	25	-40	50
Tp Point	(°C)	35	-	55
Burning Position			Universal	

APPLICATION:

IP68 hermetically sealed & silicone-free construction. Suitable for indoor / outdoor use.
 Use constant current DC LED drivers, connect multiple lamps in series. Dimmable to 0%.
 Rated life is in free air at 25°C. Use at other ambient temperatures may influence actual life.
 Complies with relevant clauses of IEC62776, IEC62560, IEC62031, IEC62612, IEC62717.

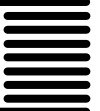
Issued by : TIENEN

Revision date : 09-II-2023

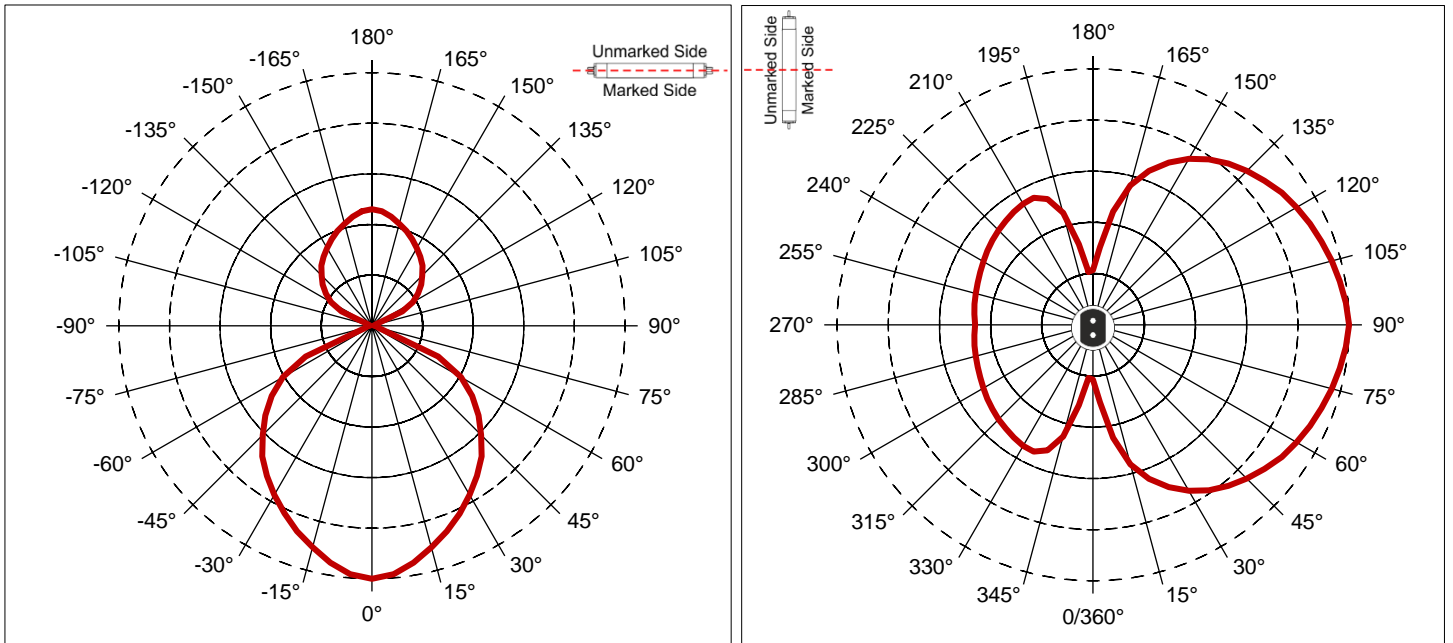
DATA SHEET

Specification No. : 70-TD-0085333/-

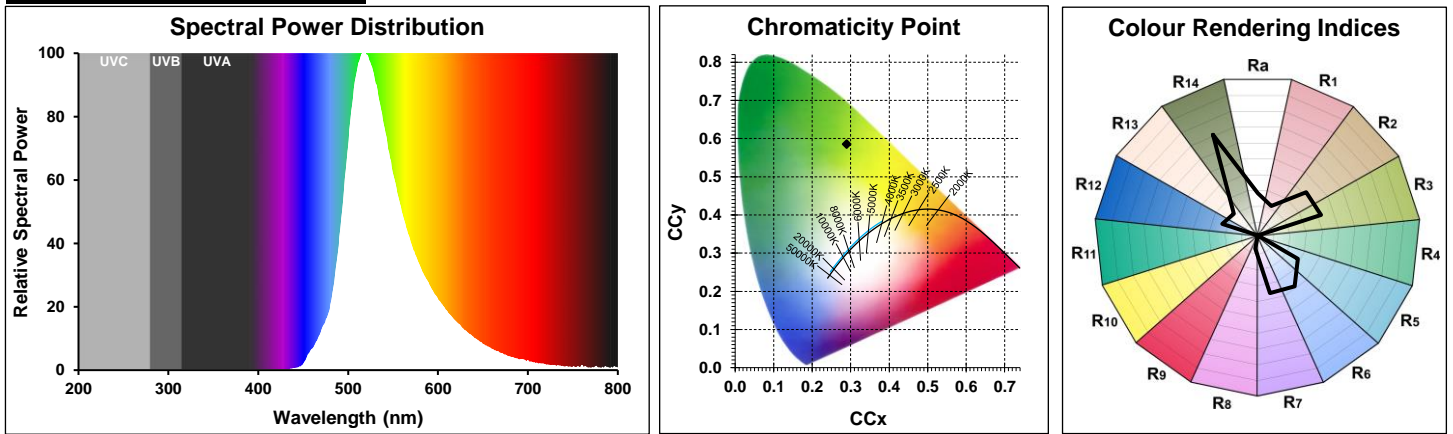
Page : 1 of 2



PHOTOMETRIC GRAPHICS:



SPECTRAL GRAPHICS:



PERFORMANCE GRAPHICS: (Under Consideration)



Issued by : TIENEN
Revision date : 09-II-2023

DATA SHEET

Specification No. : 70-TD-0085333/-
Page : 2 of 2