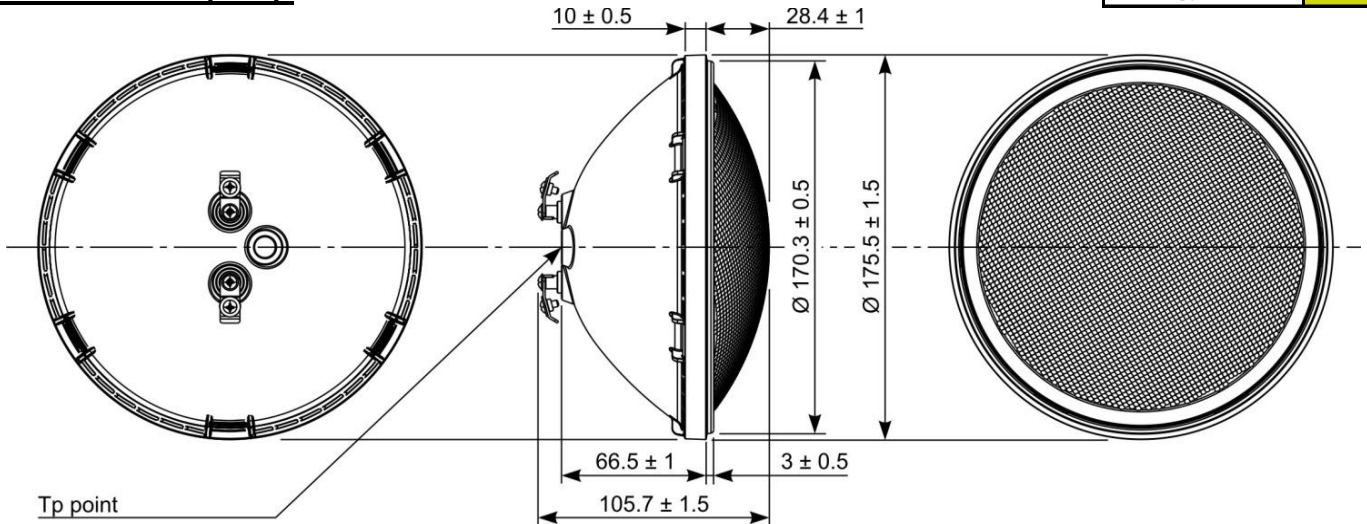


SYLVANIA LED Swimming Pool PAR56 1000lm 760 40° SI 1000lm



DIMENSIONS (mm):

Energy Class : **A**



Bulb type : PAR56
Cap type : 2-Lug

Finish : Anthracite
Light Colour : 760 Daylight

ELECTRICAL DATA:

		RATED	MIN.	MAX.
Lamp Wattage	(W) :	14.0	-	16.1
Lamp Voltage	(V) :	12	10.2	13.8
Lamp Current	(mA) :	1944		
Power Factor	(λ) :	0.6	0.54	-
Supply Frequency	(Hz) :	DC / 50 / 60		
Energy Consumption per 1000h	(kW/h) :	14.8		

PHOTOMETRIC DATA:

Beam Angle	(°) :	40	30	50
Luminous Intensity	(cd) :	1000	750	1250
Total Luminous Flux	(lm) :	1000	900	-
Total Luminous Efficacy	(lm/W) :	71		
Correlated Colour Temperature	(K) :	6000		
Colour Rendering Index	(Ra) :	70	67	-
Red Colour Rendition	(R ₉) :	-10		
Chromaticity Co-ordinates	(x,y) :	CCx=0.322 CCy=0.332	6-step MacAdam Ellipse	

OPERATING CONDITIONS:

Ta Ambient temperature range	(°C) :	25	-10	55
Tp Point	(°C) :	40	-	70
Starting Time	(s) :	-	-	<0.5
Warm-up Time to >95% Flux	(s) :	-	-	<1.0
Burning Position	:	Universal		
External Control Gear type	:	Halogen Transformer		

LAMP LIFE:

Average Life (L _{70F50})	(h) :	25,000
Switching Cycles	(#) :	100,000

APPLICATION: Underwater lighting. IP68 Sealed. Salt & chlorine resistant. Immersion life > 5 years. Not suitable for use with high frequency electronic transformers / ballasts. Complies with IEC62838, IEC62612, IEC62471, IEC61547, IEC61000, EN55015, EN62493.

Issued by : TIENEN

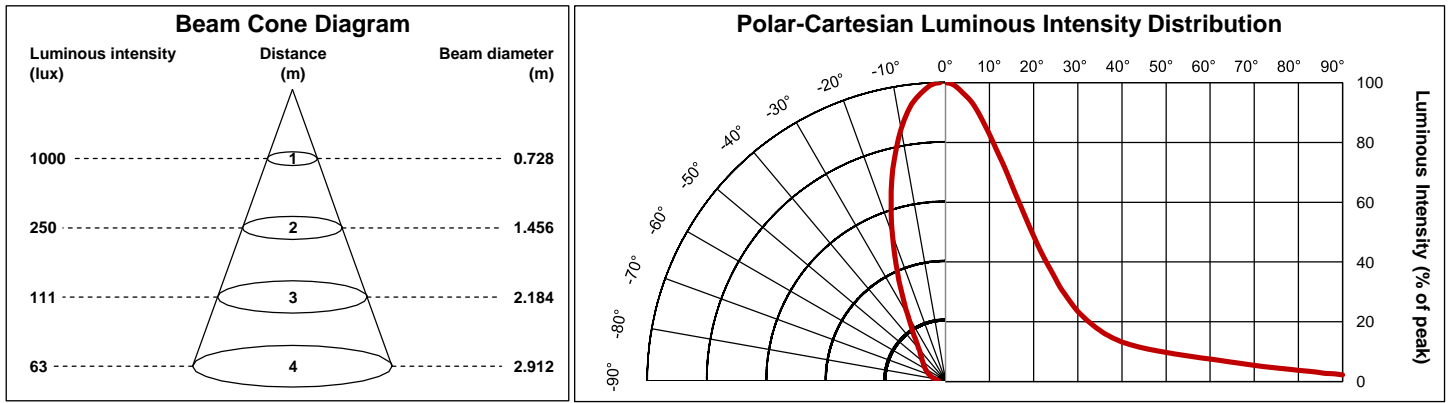
Revision date : 04-IV-2014

DATA SHEET

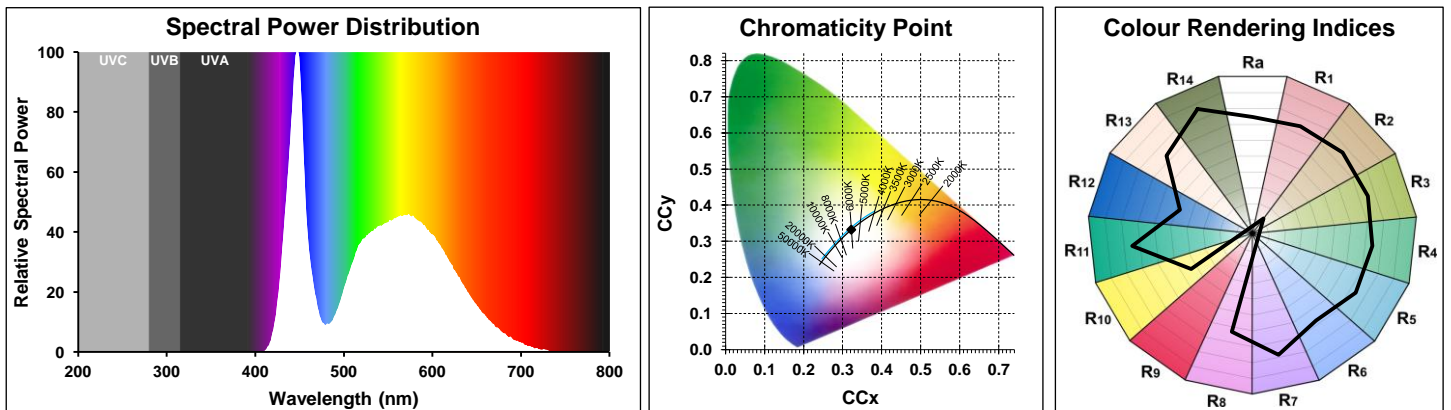
Specification No. : 70-R56-0060541/A

Page : 1 of 2

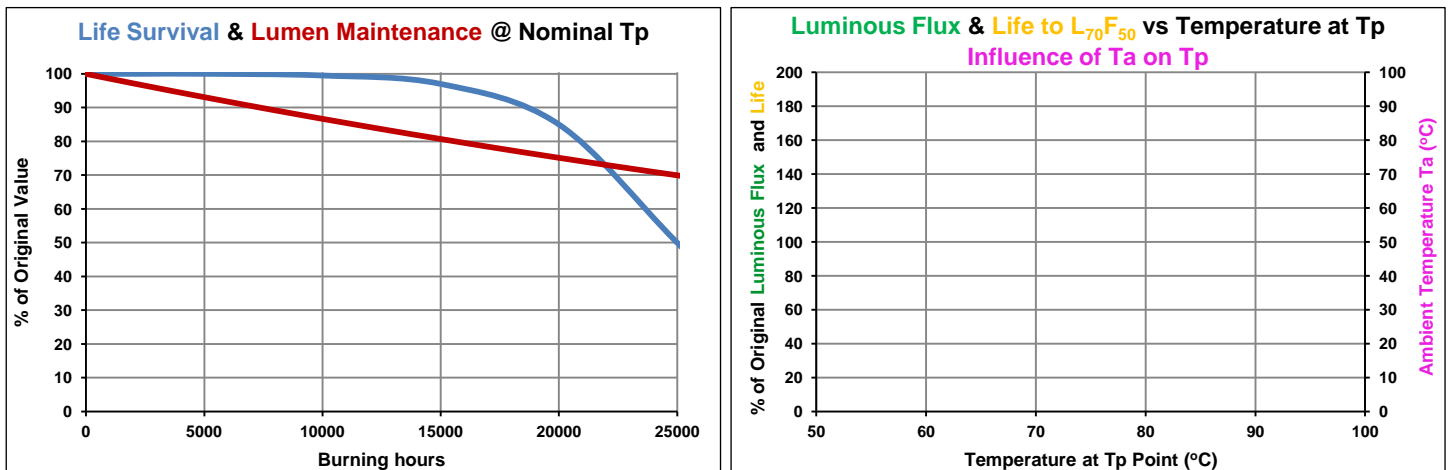
PHOTOMETRIC GRAPHICS:



SPECTRAL GRAPHICS:



PERFORMANCE GRAPHICS:



Issued by : TIENEN

Revision date : 04-IV-2014

DATA SHEET

Specification No. : 70-R56-0060541/A

Page : 2 of 2