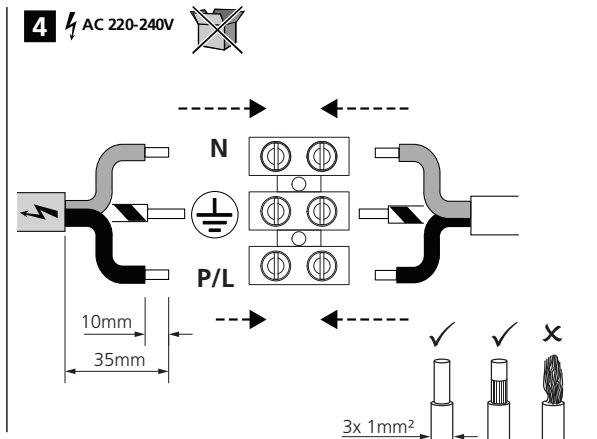
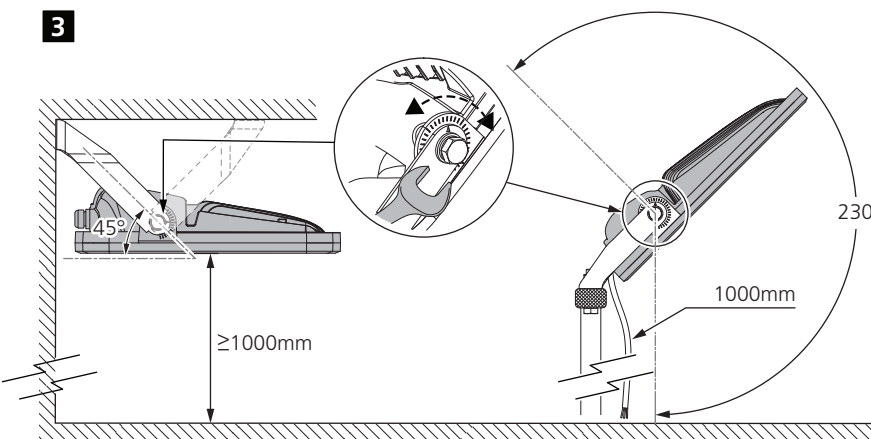
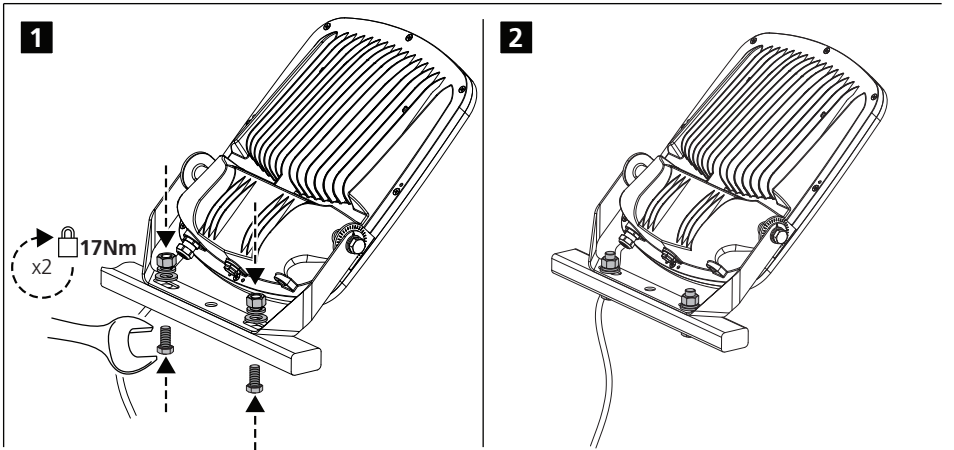


	L [mm]	W [mm]	H [mm]	kg	m ²	ta [°C]	ta [°C]	B1 [mm]	B2 [mm]	B3 [mm]
7 klm	330	231	68	2.1	0.05	-30	50	70	110	13
14 klm	370	256	68	2.7	0.07	-30	50	70	110	13
21 klm	404	313	73	3.7	0.09	-30	50	140	190	13
28 klm	450	335	75	5	0.14	-30	45	140	190	13
42 klm	531	403	97	7	0.17	-30	45	140	190	13



7 klm	M8	14mm	20 Nm	
14 klm	M8	14mm	20 Nm	
21 klm	M10	17mm	30 Nm	
28 klm	M12	19mm	35 Nm	
42 klm	M12	19mm	35 Nm	

