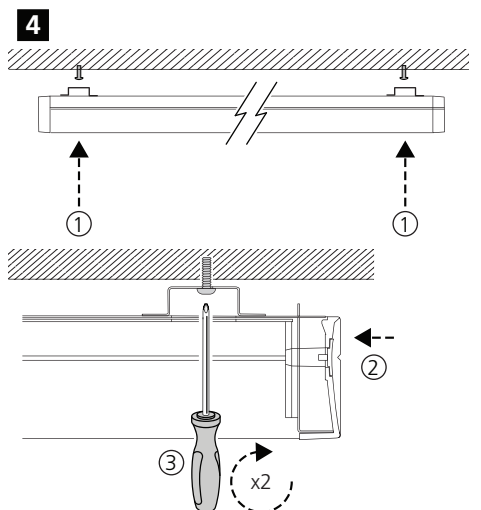
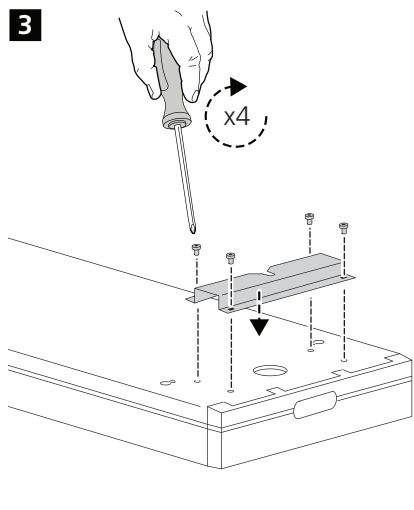
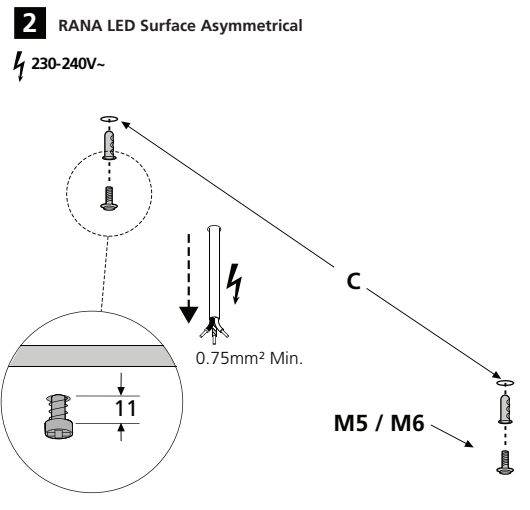
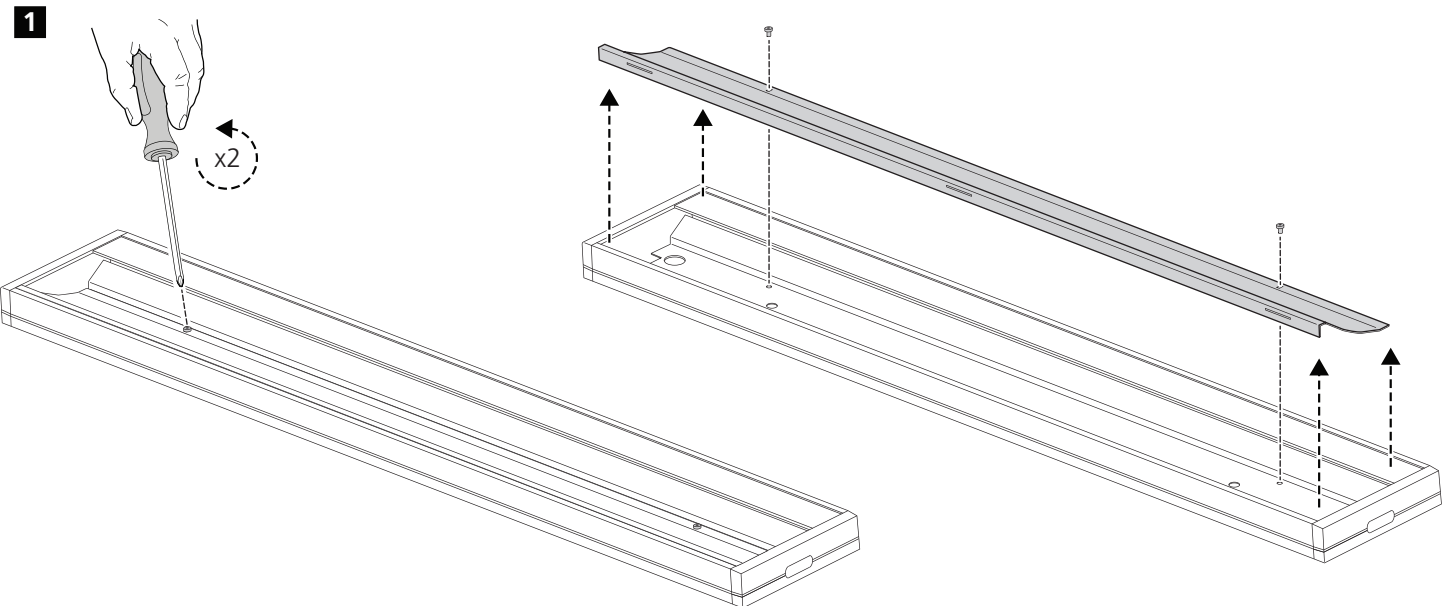
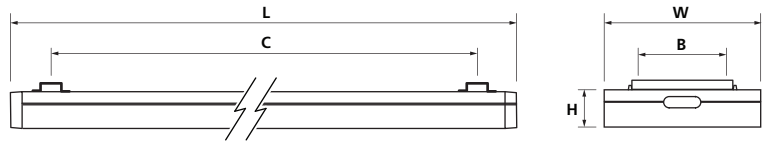


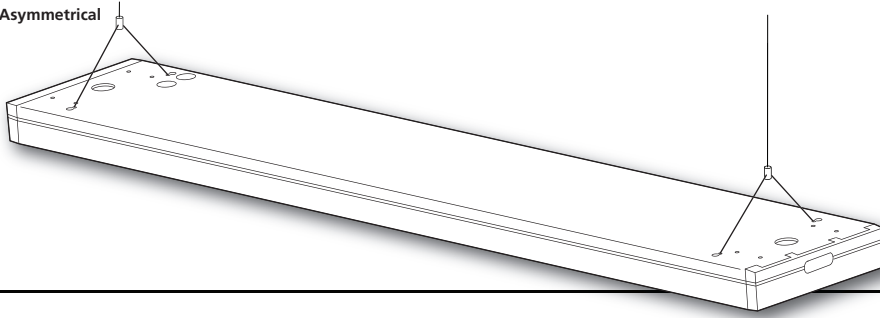
RANA LED Suspended asymmetrical

RANA LED Surface Asymmetrical

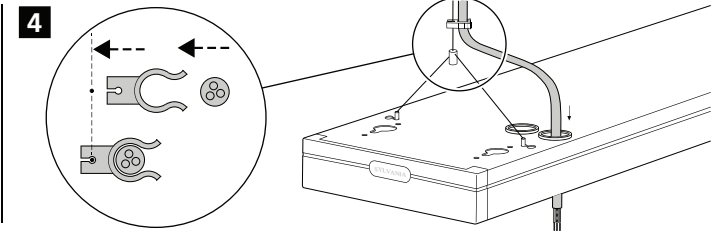
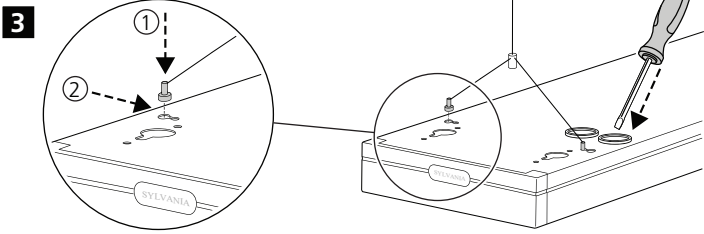
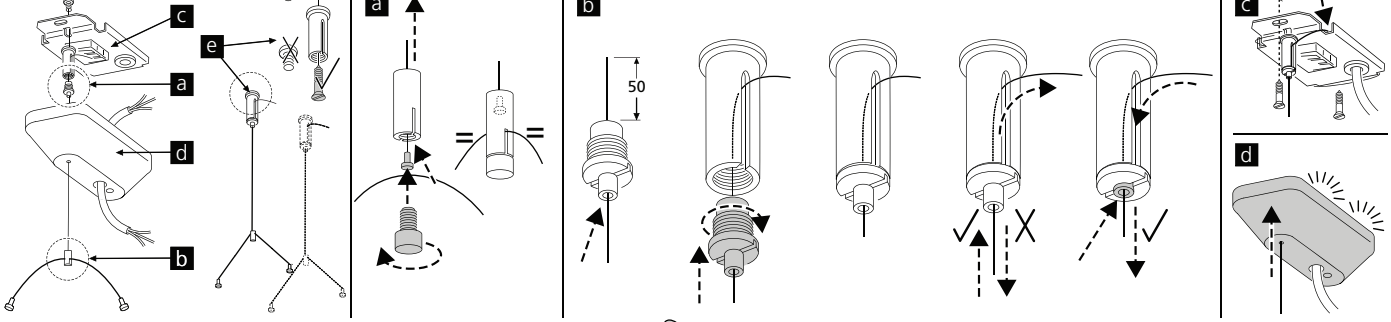
(mm)						
	L	W	H	A	B	C
	1160	187	47	1040	110	1060
	1440	187	47	1320	110	1340



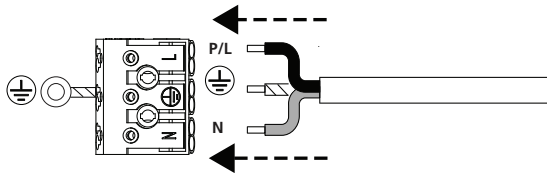
2 ? RANA LED Suspended Asymmetrical



2 RANA LED Suspended Asymmetrical

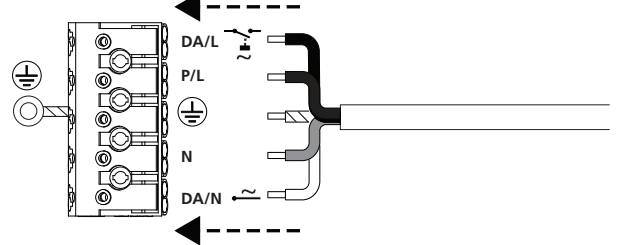


5 ⚡ 230-240V~



0.75mm² Min.

5 ⚡ 230-240V~ + ⚡ DALI + ~ Switch-Control



0.75mm² Min.

