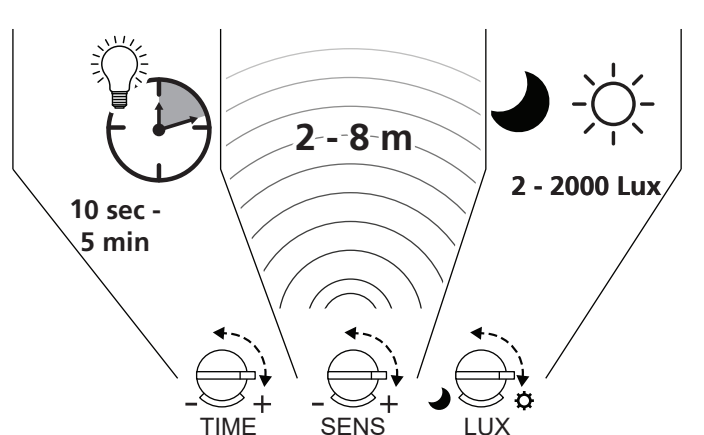
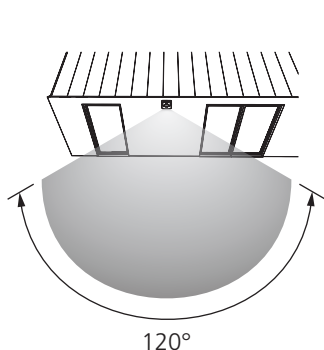
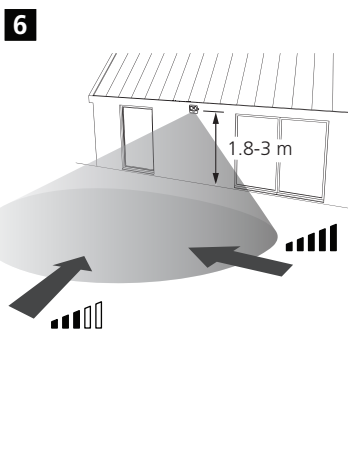
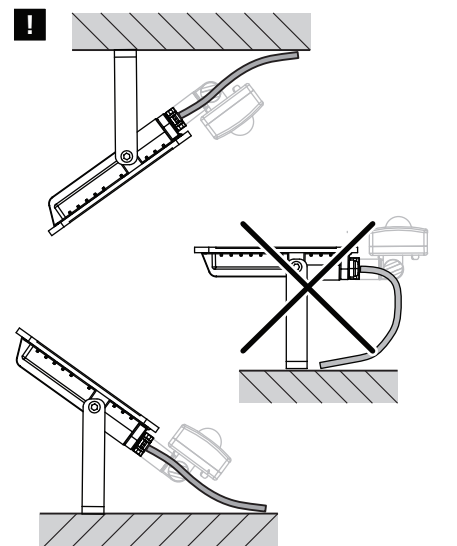
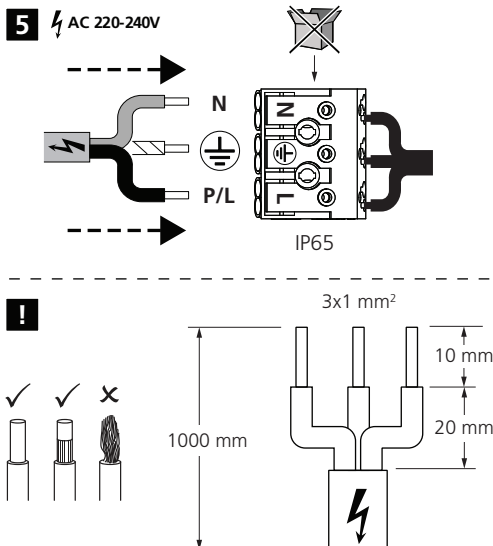
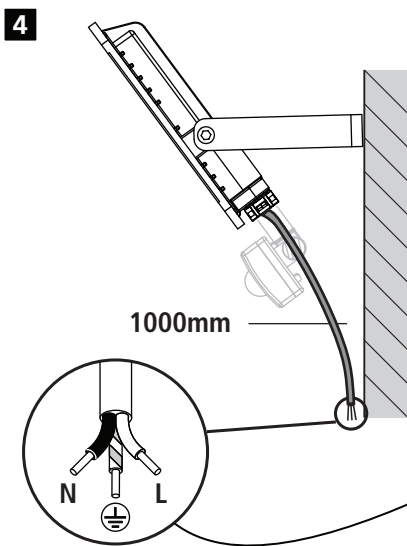
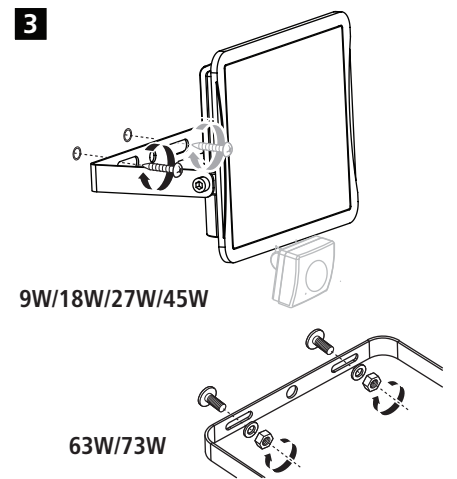
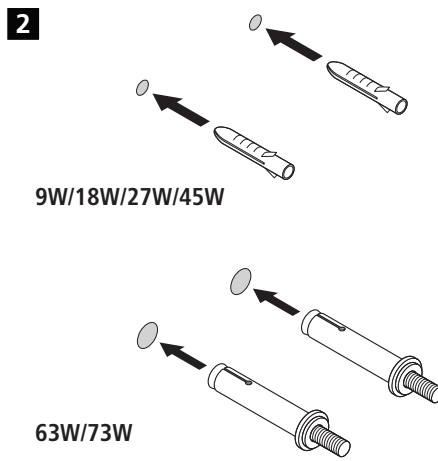
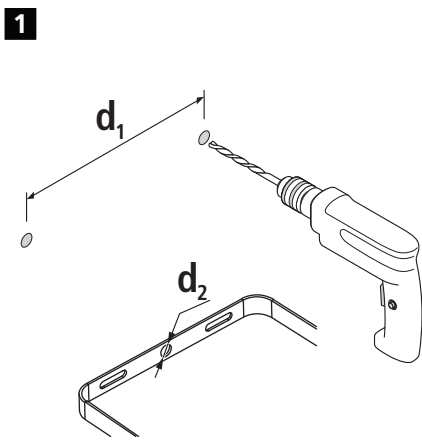
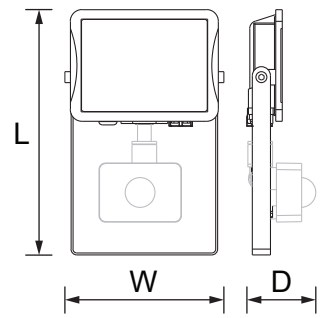
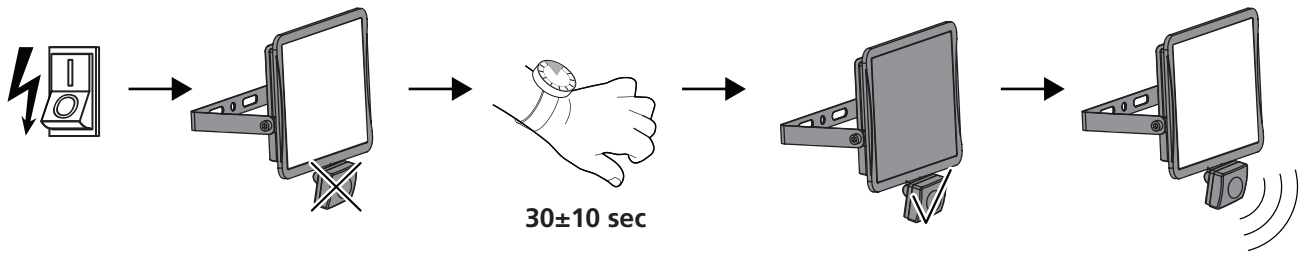


	L x W x D (mm)	P (W)	d ₁ (mm)	d ₂ (mm)	IK06	IK05	IP	Kg	m ²
950/1000 lm	100x105x23	9	48.5	6.5	06		65	0.32	0.0071
	190x123x52	10	48.5	6.5	06	05	54	0.475	
1850/2000 lm	110x123x26	18	48.5	6.5	06		65	0.39	0.0098
	190x123x52	19	48.5	6.5	06	05	54	0.475	
2850/3000 lm	123x156x28	27	48.5	6.5	06		65	0.51	0.0168
	201x156x57	28	48.5	6.5	06	05	54	0.575	
4650/5000 lm	151x190x30	45	48.5	8.5	06		65	0.74	0.0278
	235x190x58	46	48.5	8.5	06	05	54	0.8	
6500/7000 lm	195x250x33	63	79.5	8.5	07		65	1.19	0.0473
9300/10000 lm		73							



7 ⚙️



! Z-type

