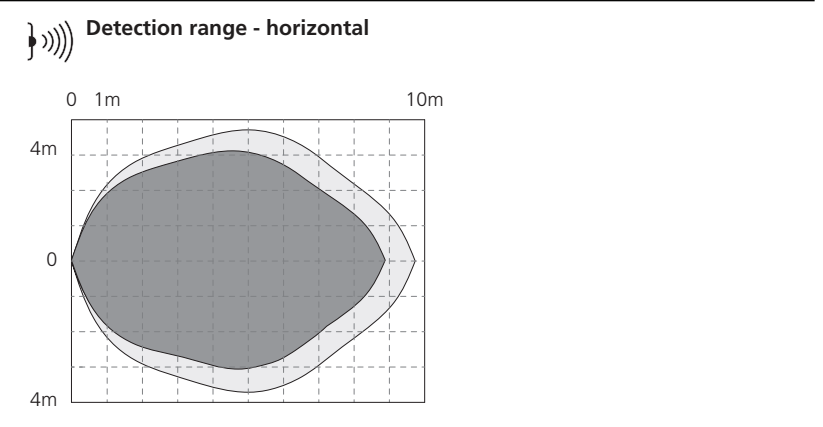
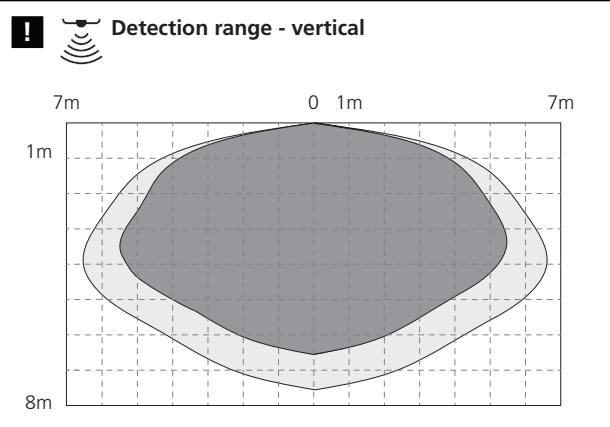
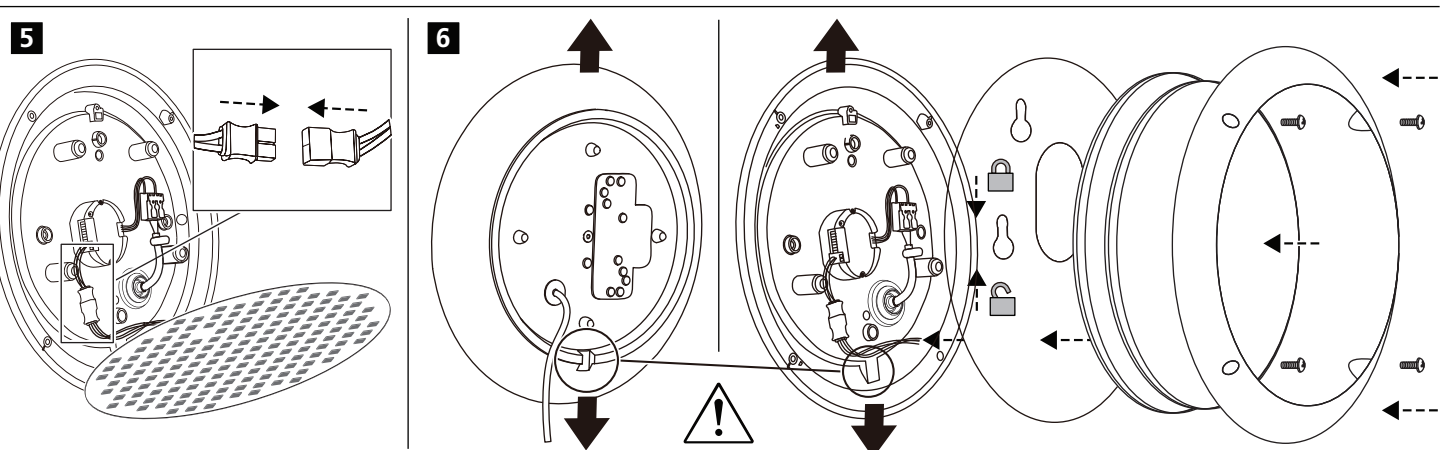
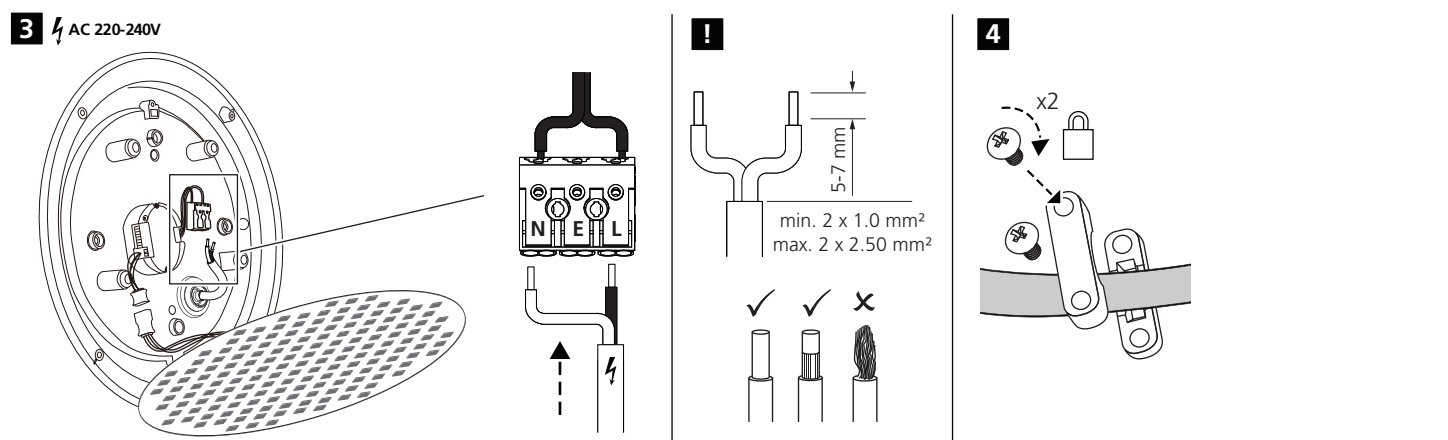
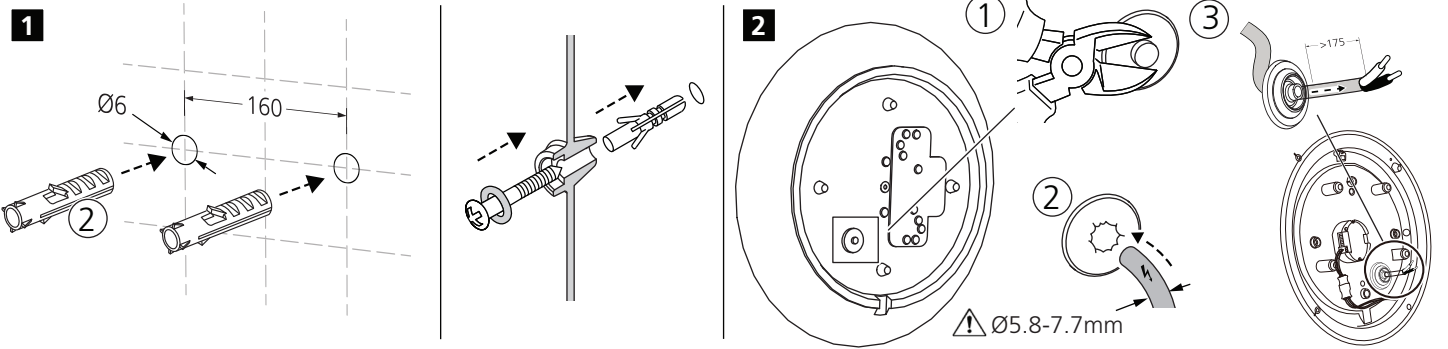
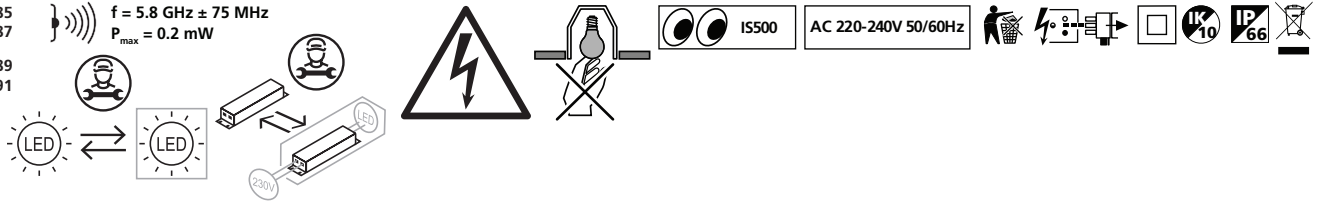


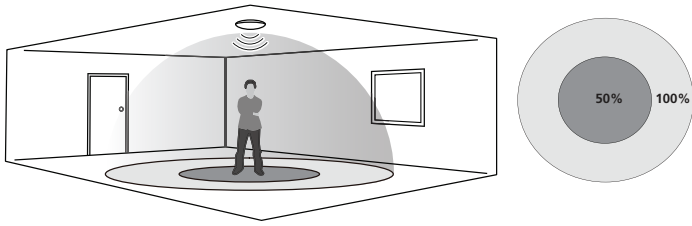
0049284 0049285  
0049286 0049287

f = 5.8 GHz ± 75 MHz  
P<sub>max</sub> = 0.2 mW

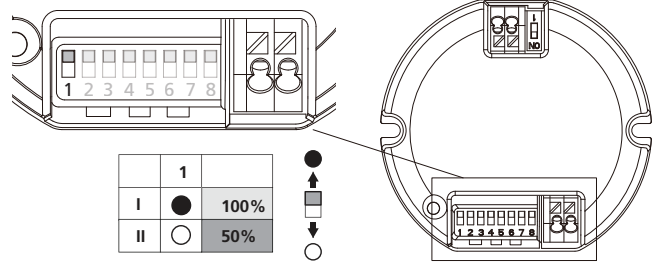
0049288 0049289  
0049290 0049291



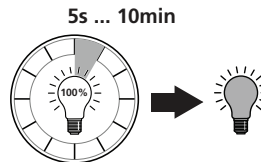
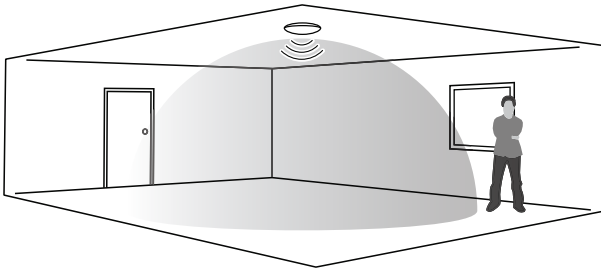
**7a** **Sensitivity**  
0049288, 0049289, 0049290, 0049291



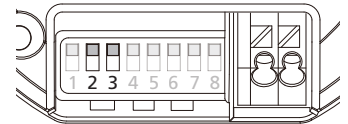
**7b** **Sensitivity**



**8a** **Hold time**  
0049288, 0049289, 0049290, 0049291

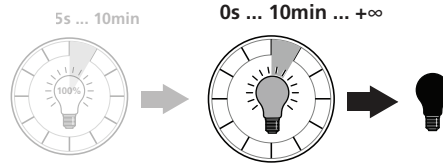
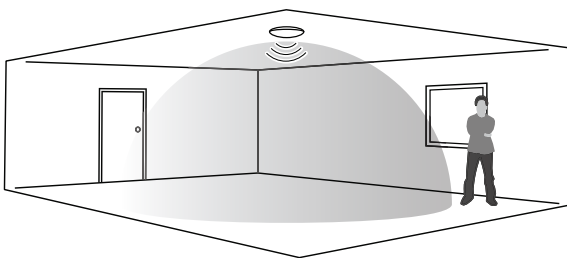


**8b** **Hold time**

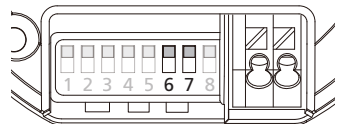


	2	3	
I	●	●	5s
II	●	○	90s
III	○	●	3min
IV	○	○	10min

**9a** **Stand-by time**  
0049288, 0049289, 0049290, 0049291

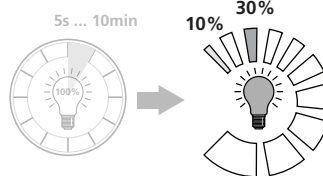
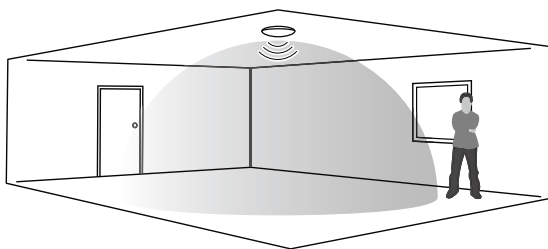


**9b** **Stand-by time**

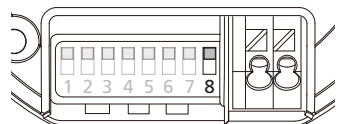


	6	7	
I	●	●	0s
II	●	○	10s
III	○	●	10min
IV	○	○	+∞

**10a** **Stand-by dimming level**  
0049288, 0049289, 0049290, 0049291

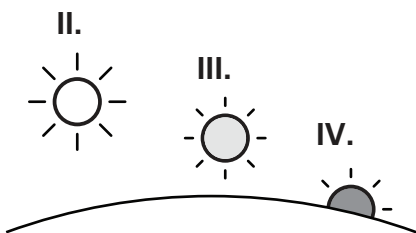


**10b** **Stand-by dimming level**

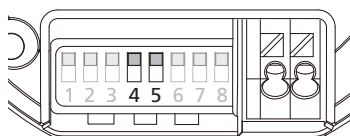


	8		
I	●	10%	
II	○	30%	

**11a** **Daylight sensor**  
0049288, 0049289, 0049290, 0049291

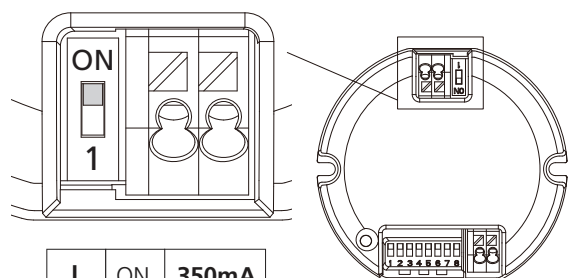


**11b** **Daylight sensor**



	4	5	
I	●	●	Disable
II	●	○	50Lux
III	○	●	10Lux
IV	○	○	2Lux

**12** **Output current**  
0049288, 0049289, 0049290, 0049291



I	ON	350mA
II	1	300mA