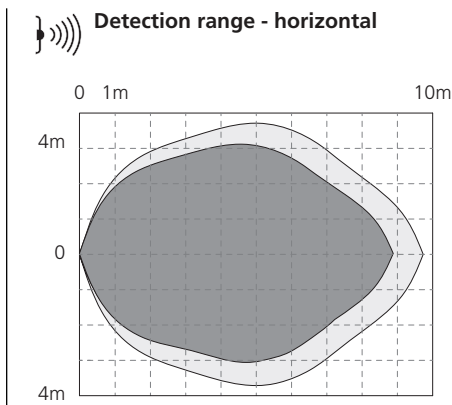
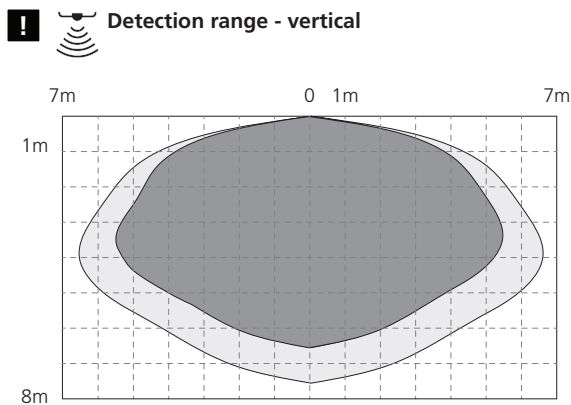
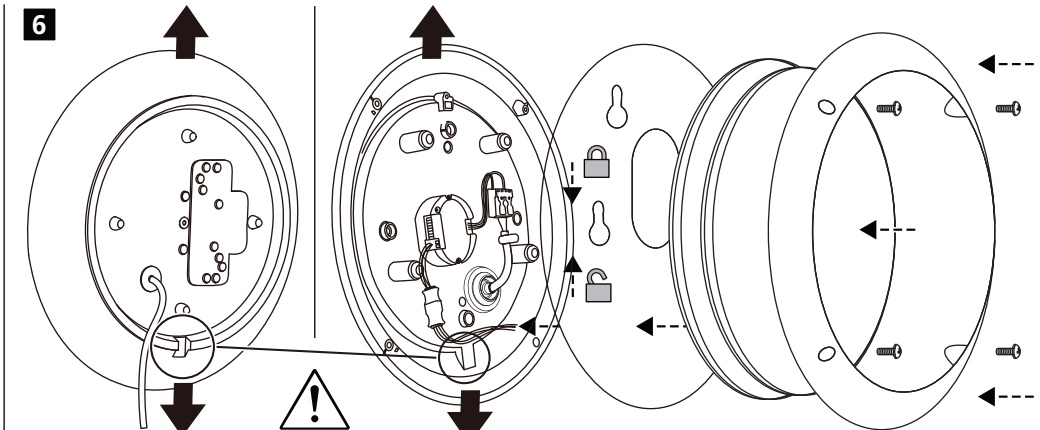
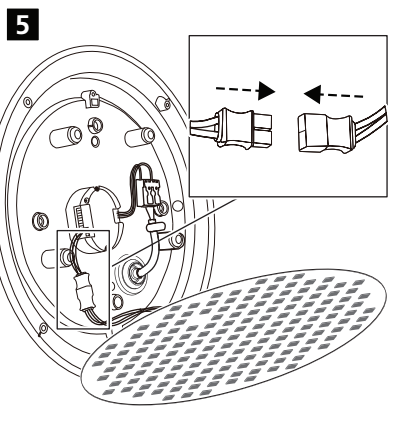
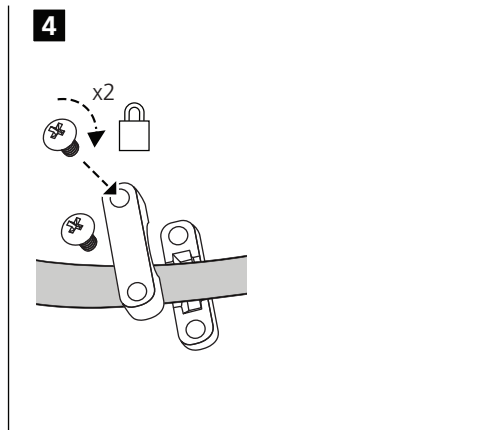
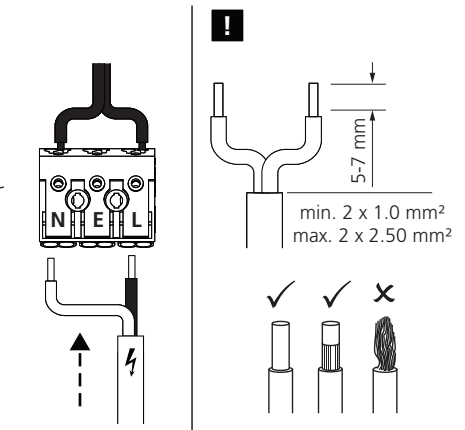
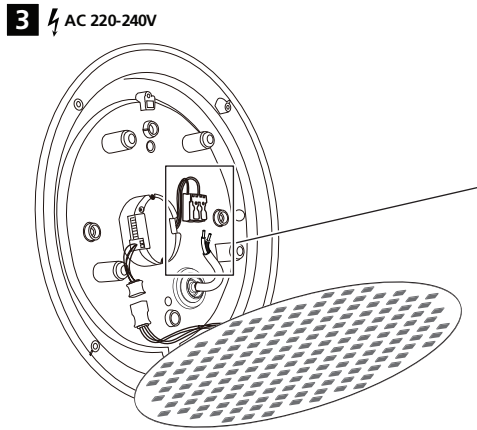
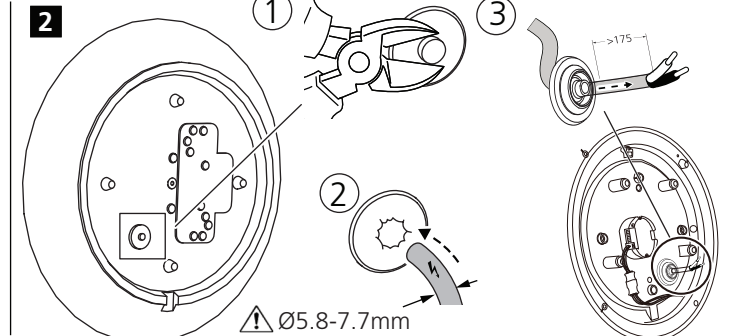
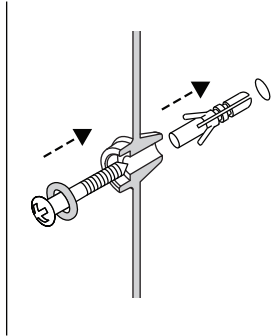
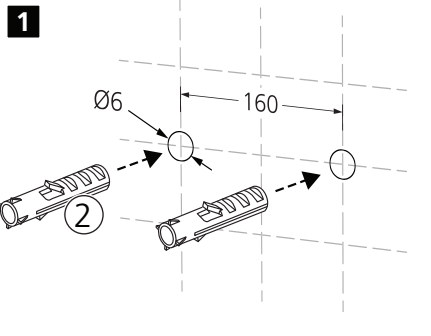
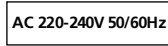


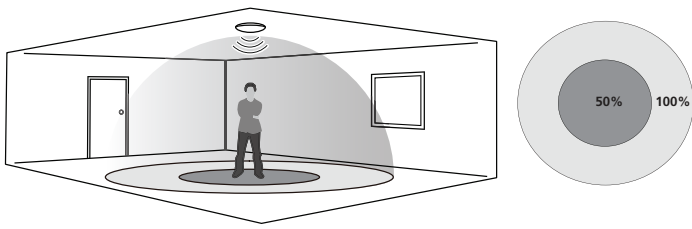
0049284 0049285
0049286 0049287

0049288 0049289
0049290 0049291

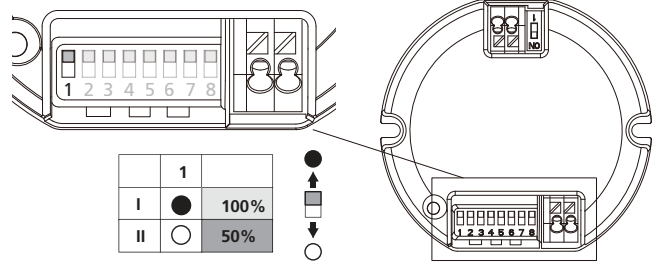
f = 5.8 GHz ± 75 MHz
P_{max} = 0.2 mW



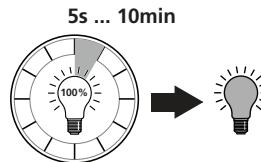
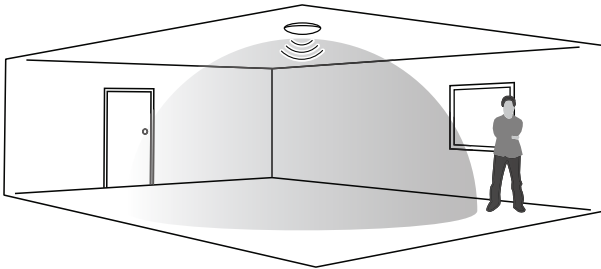
7a **Sensitivity**
0049288, 0049289, 0049290, 0049291



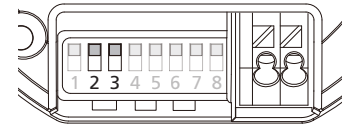
7b **Sensitivity**



8a **Hold time**
0049288, 0049289, 0049290, 0049291

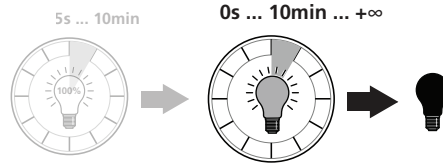
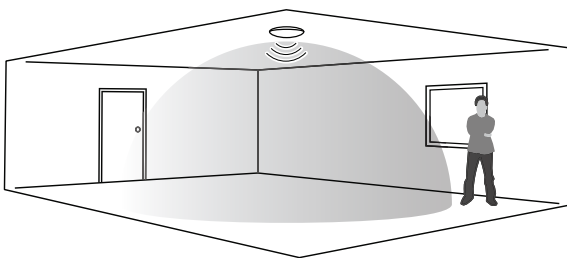


8b **Hold time**

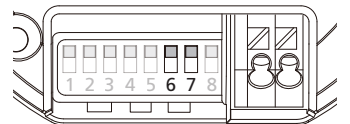


	2	3	
I	●	●	5s
II	●	○	90s
III	○	●	3min
IV	○	○	10min

9a **Stand-by time**
0049288, 0049289, 0049290, 0049291

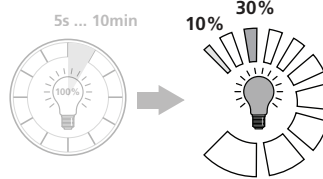
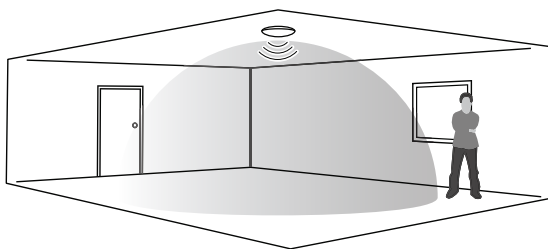


9b **Stand-by time**

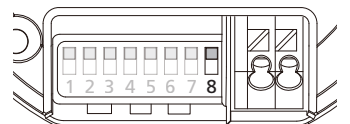


	6	7	
I	●	●	0s
II	●	○	10s
III	○	●	10min
IV	○	○	+∞

10a **Stand-by dimming level**
0049288, 0049289, 0049290, 0049291

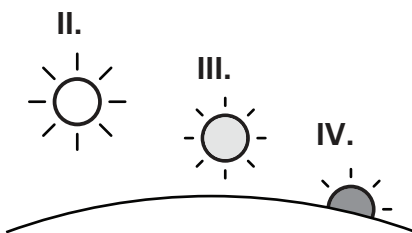


10b **Stand-by dimming level**

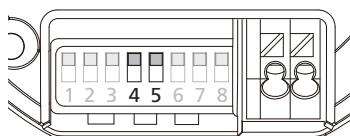


	8		
I	●	10%	
II	○	30%	

11a **Daylight sensor**
0049288, 0049289, 0049290, 0049291

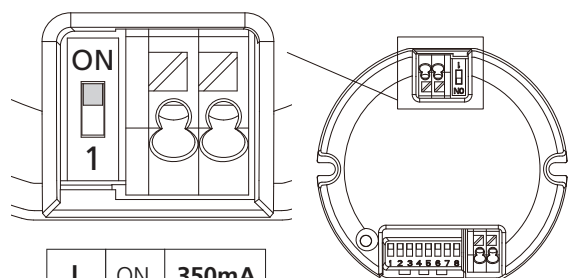


11b **Daylight sensor**



	4	5	
I	●	●	Disable
II	●	○	50Lux
III	○	●	10Lux
IV	○	○	2Lux

12 **Output current**
0049288, 0049289, 0049290, 0049291



I	ON	350mA
II	1	300mA