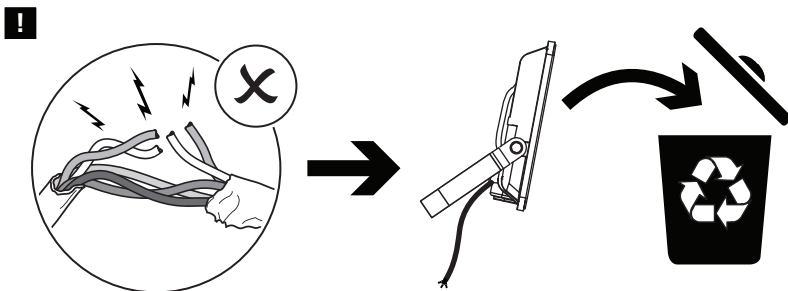
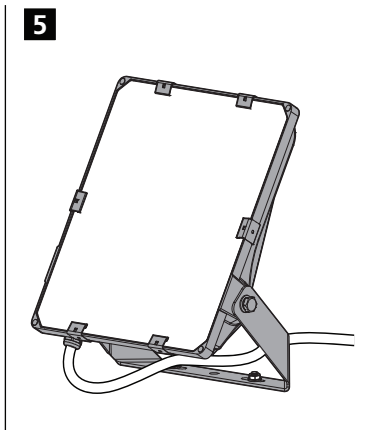
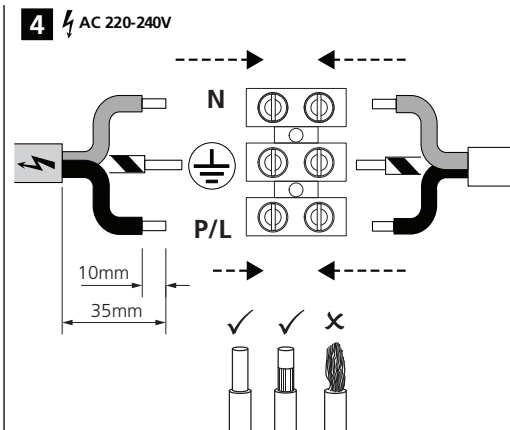
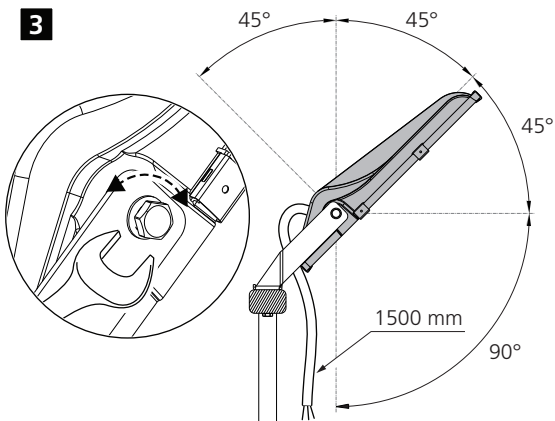
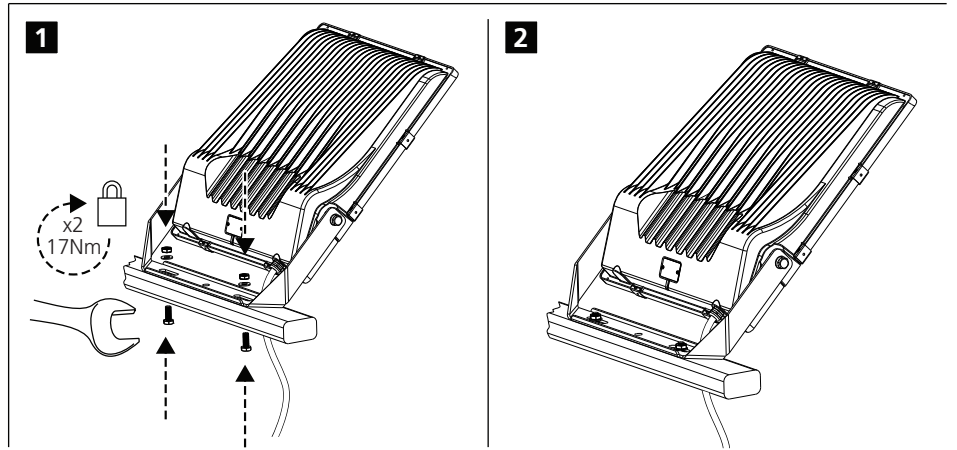
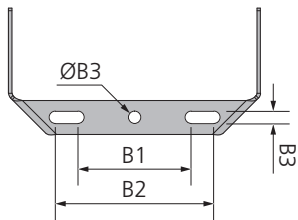


Power [W]	L [mm]	W [mm]	H [mm]	Kg	m ²	ta [°C]	B1 [mm]	B2 [mm]	B3 [mm]
50	314	240	63	2.5	0.052	-30 / 50	100	140	11
100	418	330	77	3.9	0.094	-30 / 50	130	190	11
150	451	330	77	4.6	0.106	-30 / 45	130	190	11
200	494	395	87	6.2	0.142	-30 / 50	200	260	11
300	567	465	97	9.6	0.199	-30 / 50	200	280	12



The external flexible cable or cord of this luminaire cannot be replaced; if the cord is damaged, the luminaire shall be destroyed