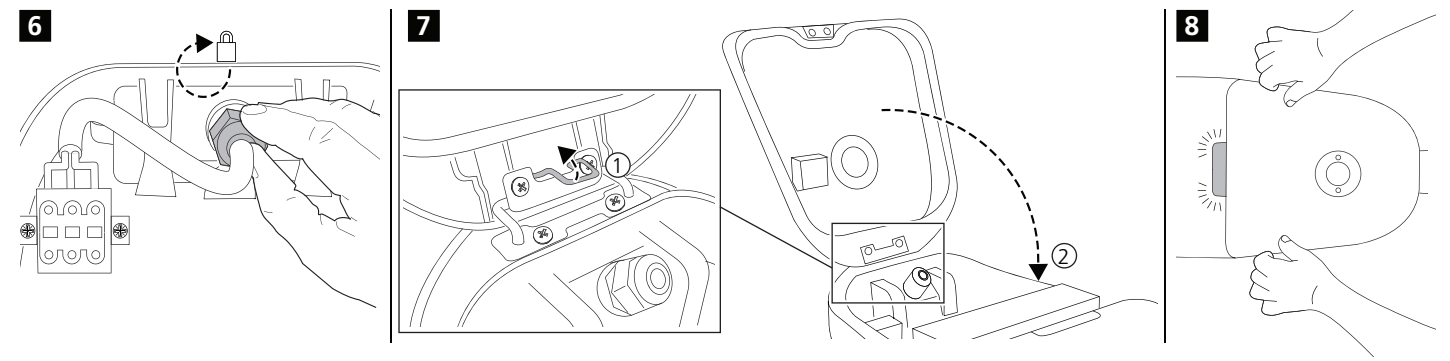
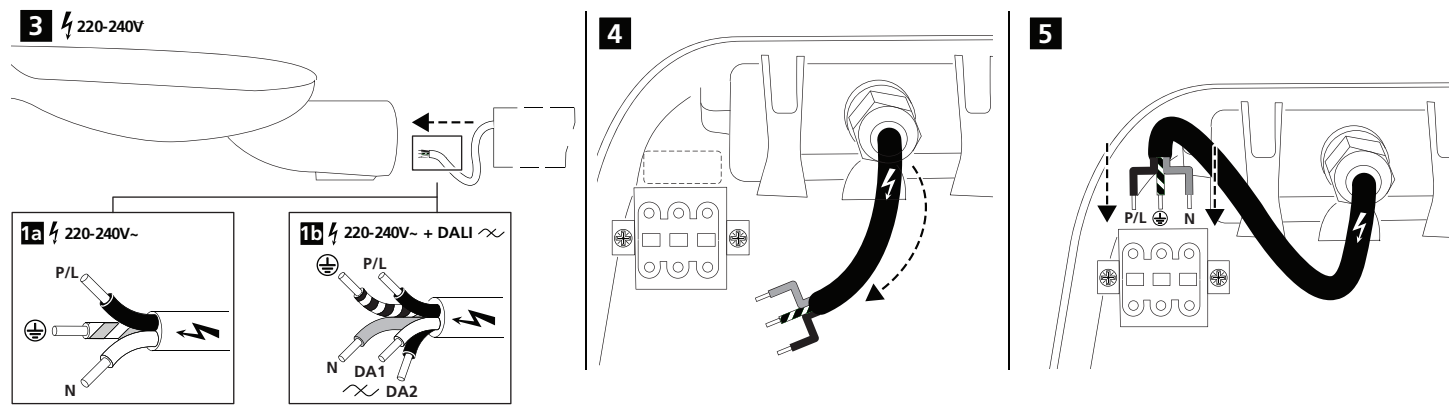
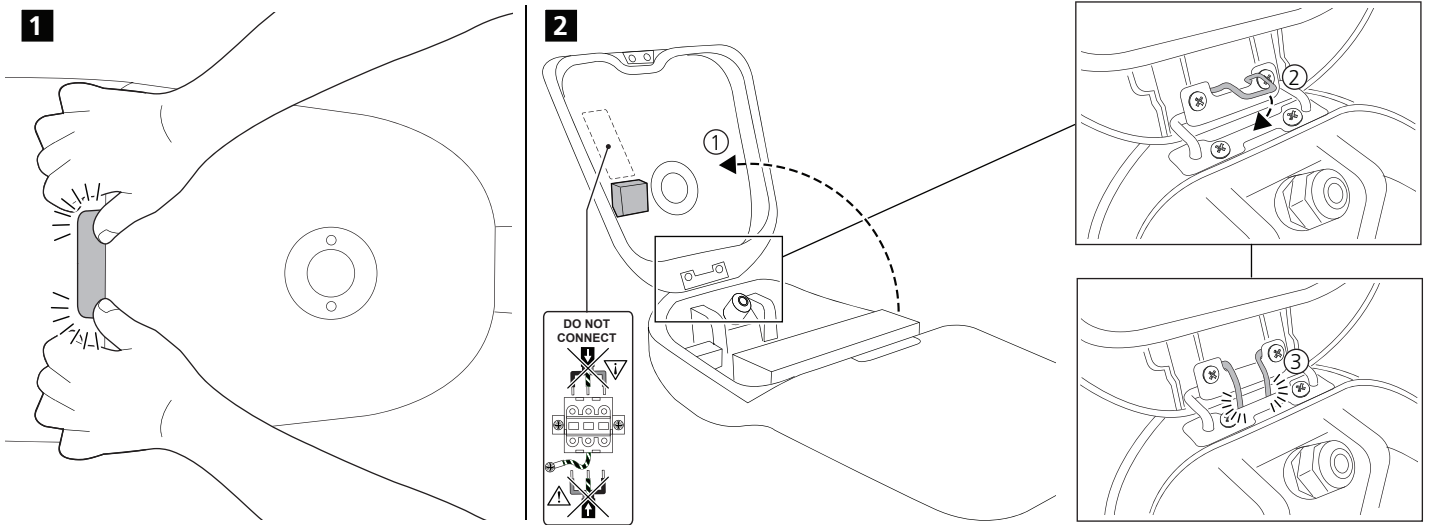
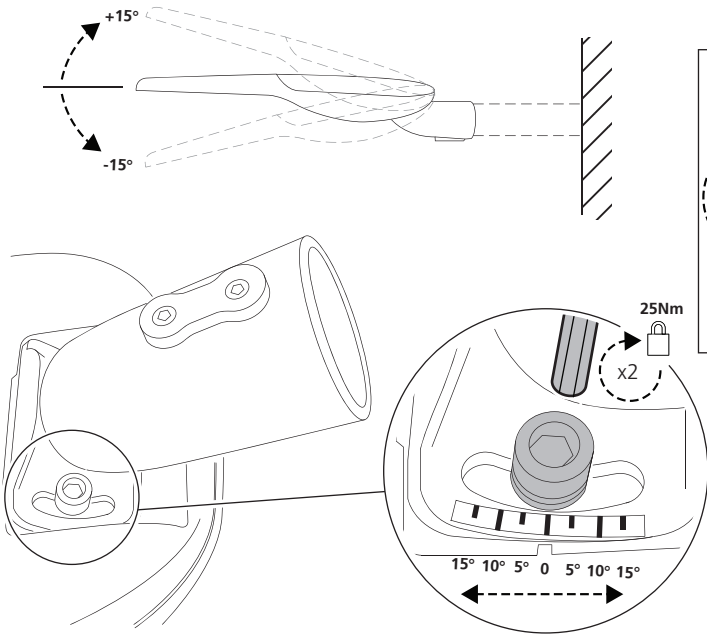


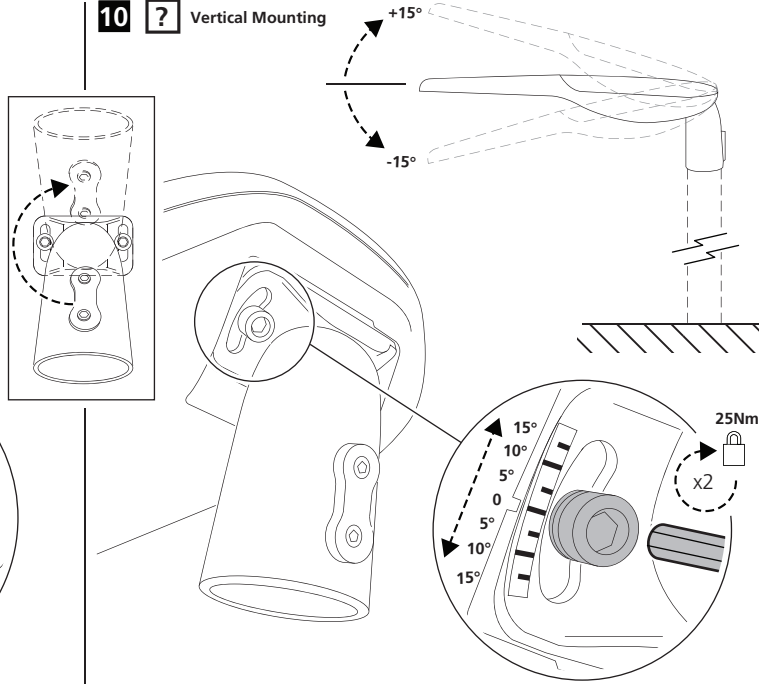
Type	L (mm)	W (mm)	H (mm)	Weight	Windage Area	Nominal Max. Power	Mounting Angle	Mounting Height (meters)	Penetration (mm)
				kg	m <sup>2</sup>	W			
Skyline Street S	525	255	105	5.8	0.034	50	+/-15°	5 - 8	85
Skyline Street M	625	290	105	7	0.04	100	+/-15°	5 - 8	85
Skyline Street L	780	325	105	10	0.052	150	+/-15°	8 - 12	85



**10 ?** Horizontal Mounting



**10 ?** Vertical Mounting



**11**

