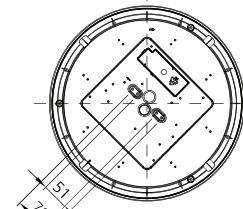
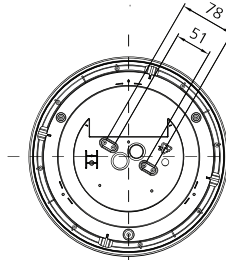
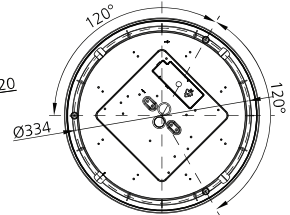
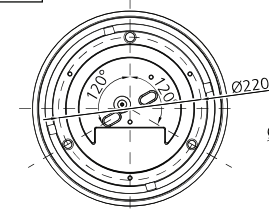
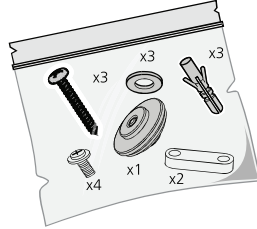
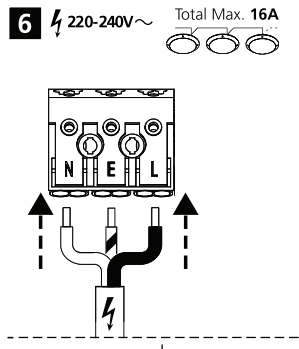
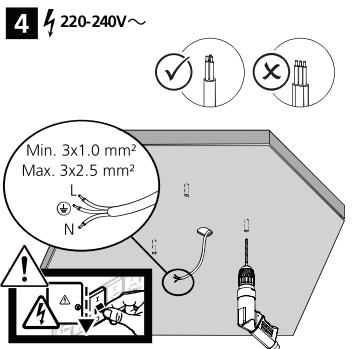
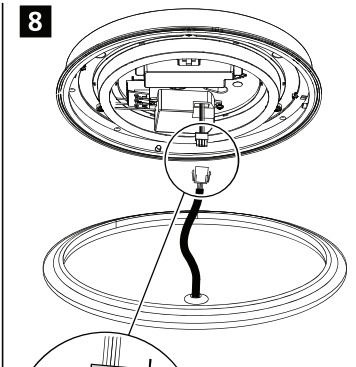
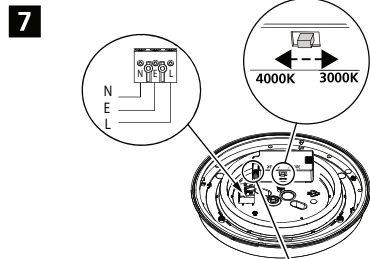
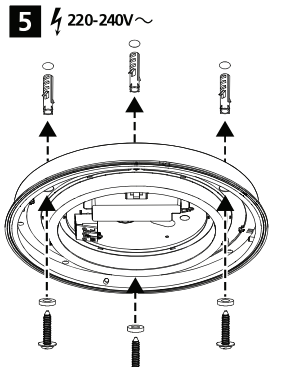
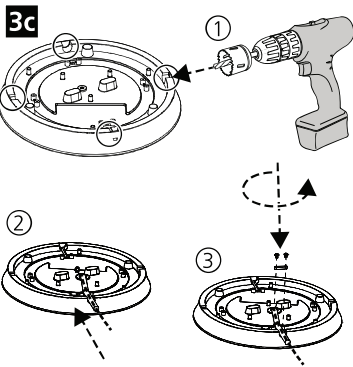
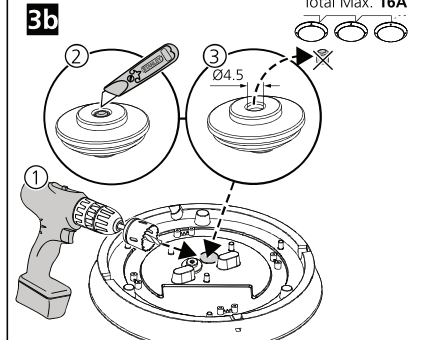
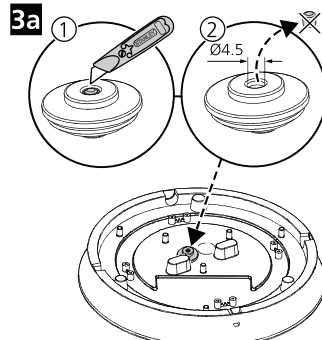
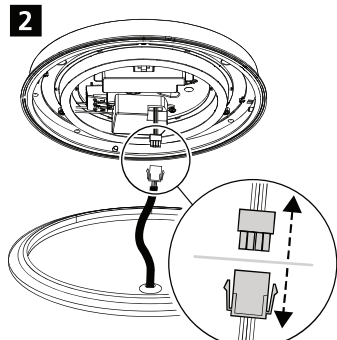
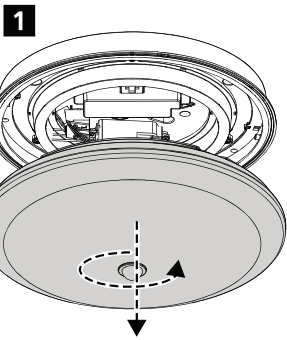


H (mm)	Ø (mm)
105	300
116	400



Ø300

Ø400



**4000K**

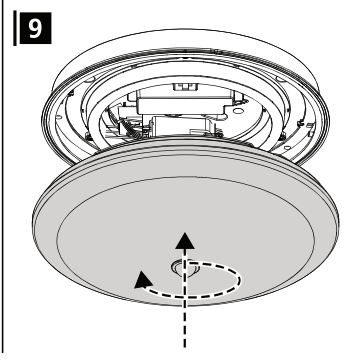
Factory Settings: ON

1	2	Io [mA]	P [W]	[lm]	[lm]
●	●	100	17.5	1800	
●	○	75	13.5	1400	
○	●	50	9.3	890	
○	○	26	6	450	
●	○	176	34		3550
○	●	155	30		3000
○	○	134	26		2700
○	○	115	22		2300

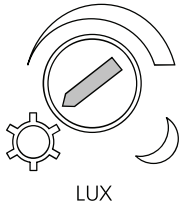
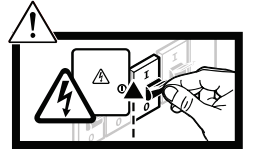
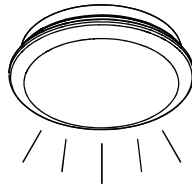
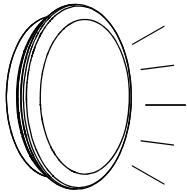
**3000K**

Factory Settings: ON

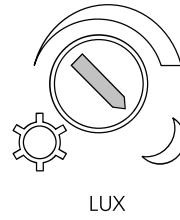
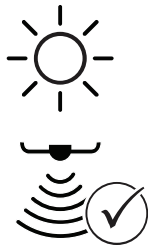
1	2	Io [mA]	P [W]	[lm]	[lm]
●	●	100	17.5	1725	
●	○	75	13.5	1325	
○	●	50	9.3	850	
○	○	26	6	430	
●	○	176	34		3400
○	●	155	30		3100
○	○	134	26		2600
○	○	115	22		2200



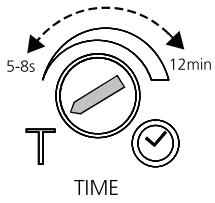
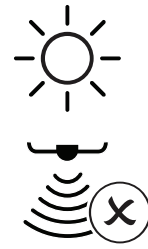
10



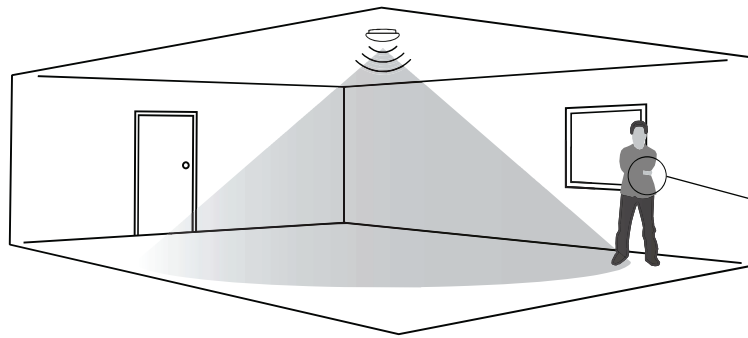
LUX



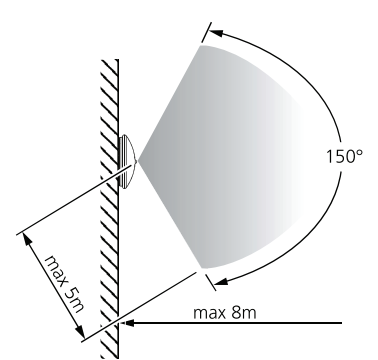
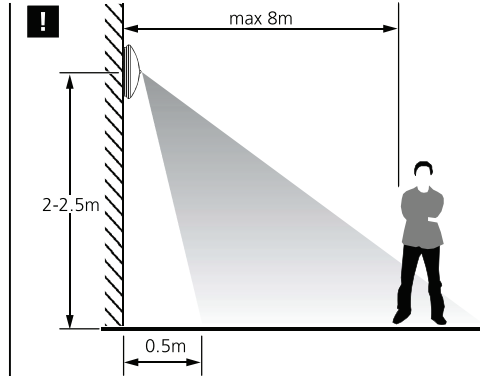
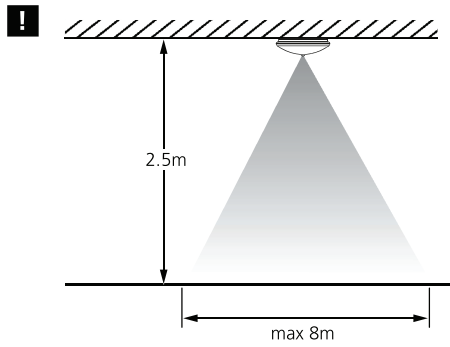
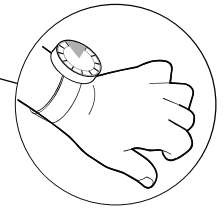
LUX



TIME



5s-12min



Initial state:  
Lux setting: **800lux**  
Time setting: **12min**  
Sensor: **ON**