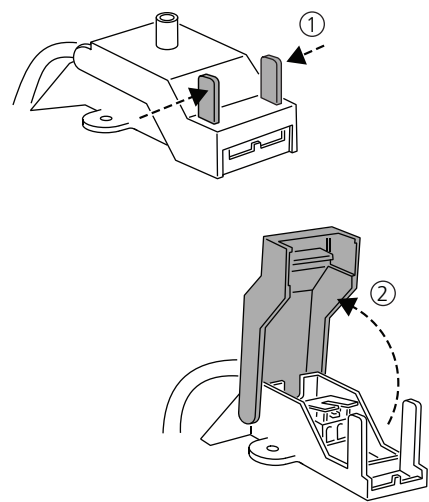
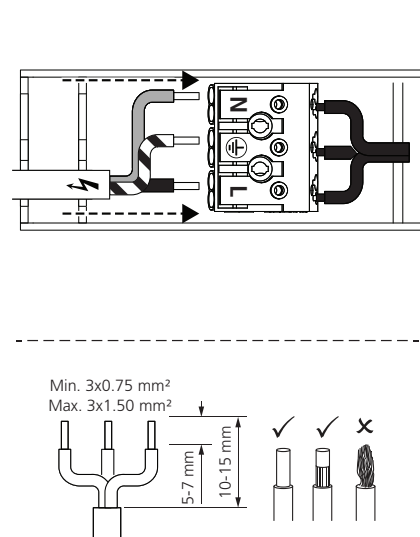


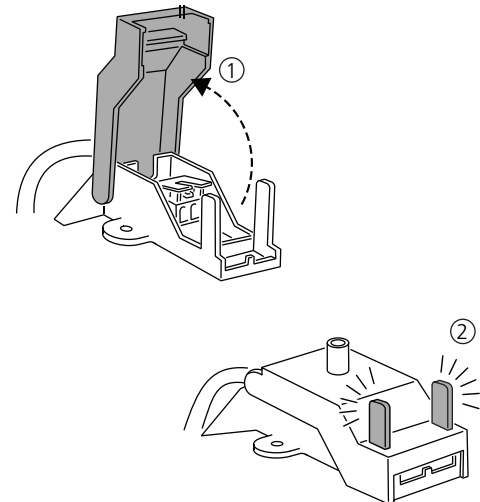
2b Start Panel / Quantum



3b AC 220-240V Start Panel / Quantum

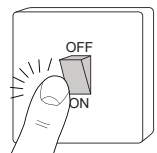


4b Start Panel / Quantum

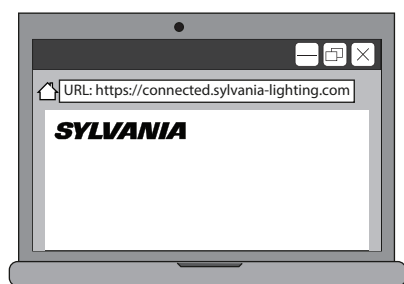


1 ⚙️

⚡ 230-240 V ~ 50/60 Hz



2 ⚙️



Download on the App Store GET IT ON Google play



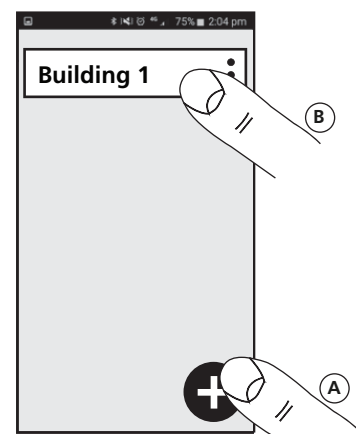
Google Android v12+ iOS v13+

<5m

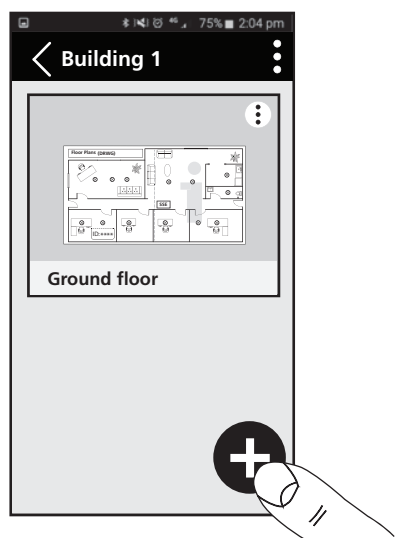


sylvania-lighting.com/connected

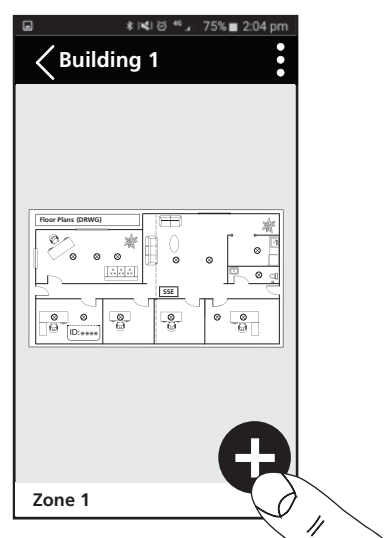
3 ⚙️ Project



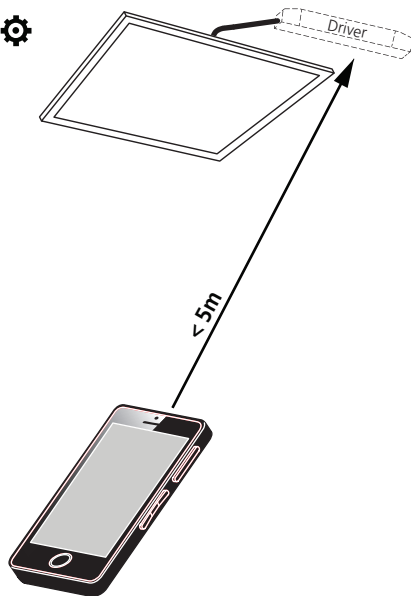
4 ⚙️ Area



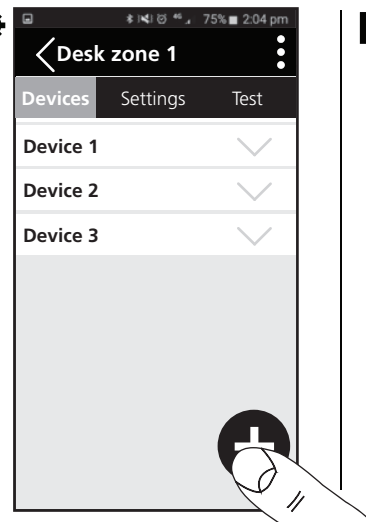
5 ⚙️ Zone



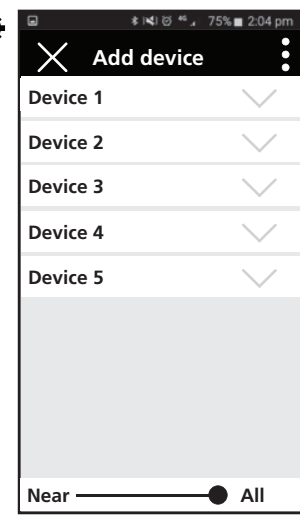
6 ⚙️



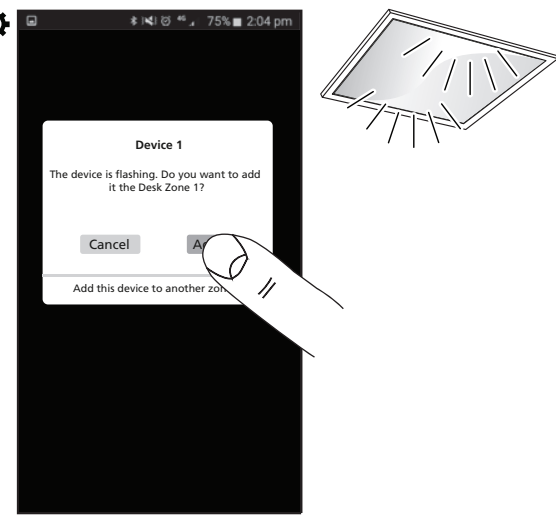
7 ⚙️



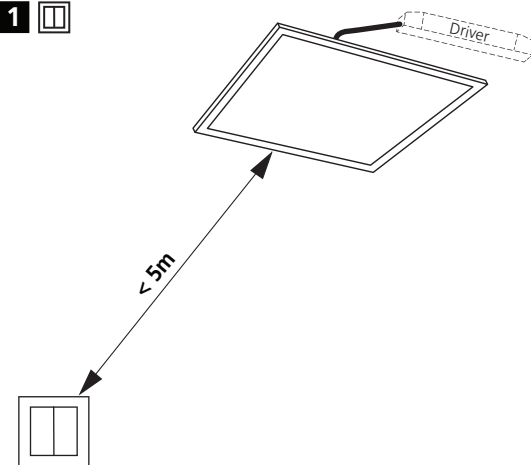
8 ⚙️



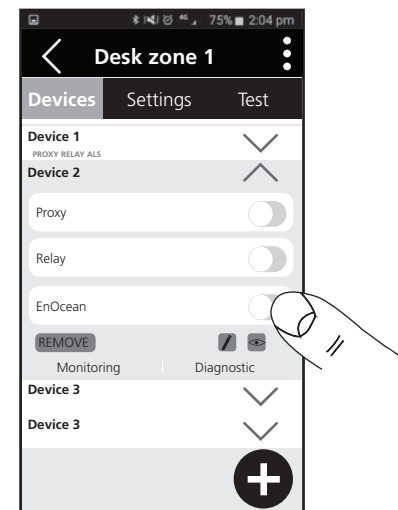
9 ⚙️



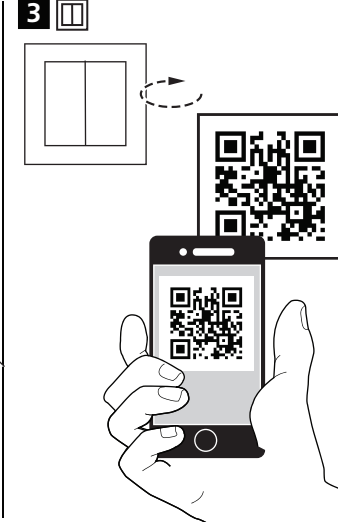
1 📄



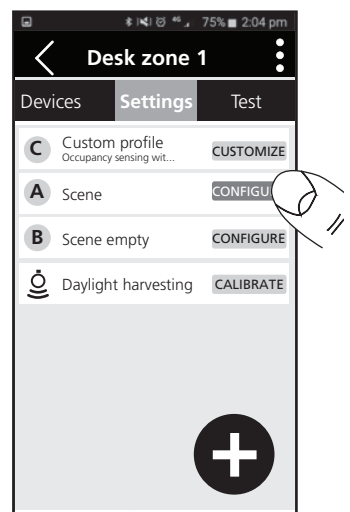
2 📄



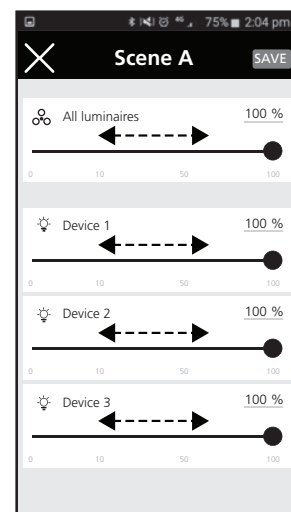
3 📄



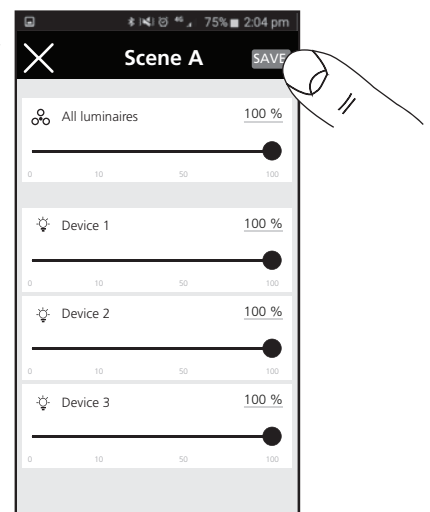
1 ⚙️



2 ⚙️



3 ⚙️



Support contact details: support.sylsmart@sylvania-lighting.com

