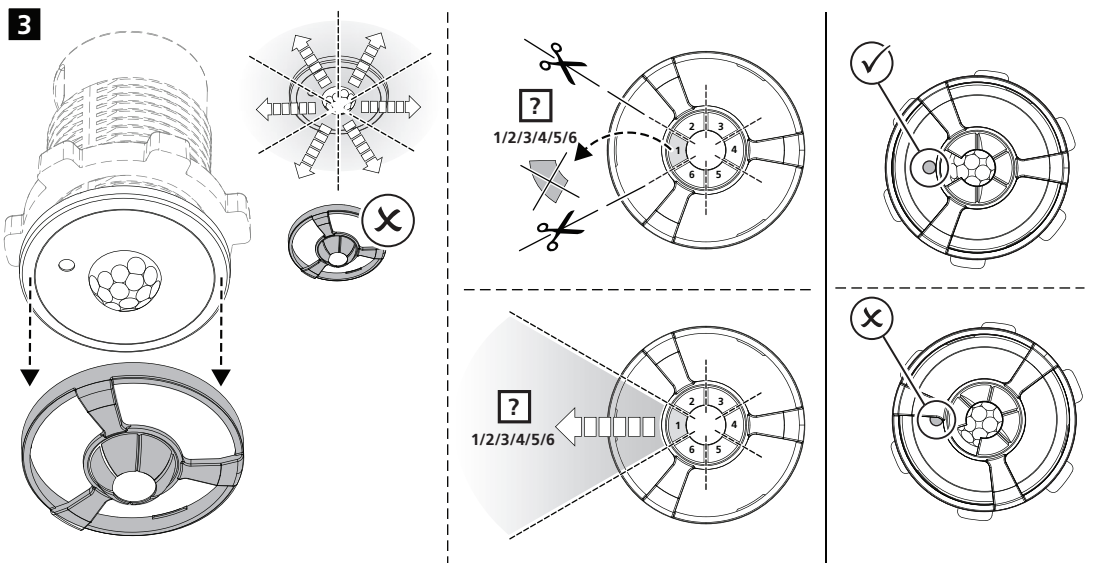
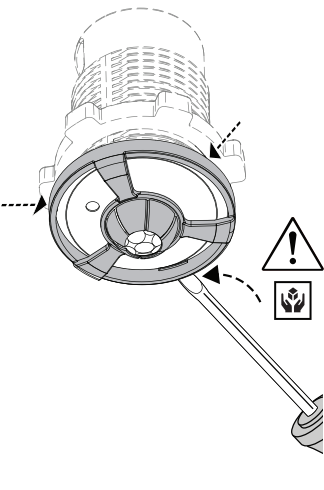
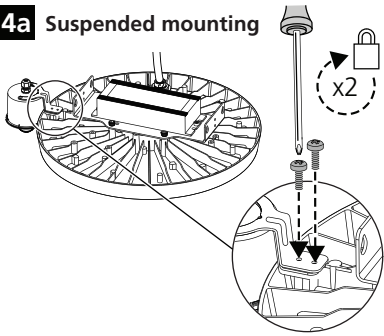


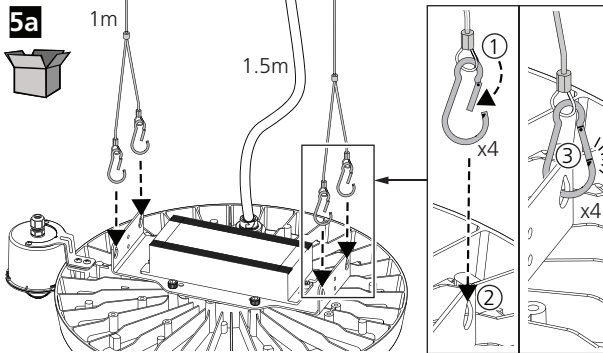
**2** SylSmart SSA  
Sensor Shield Accessory



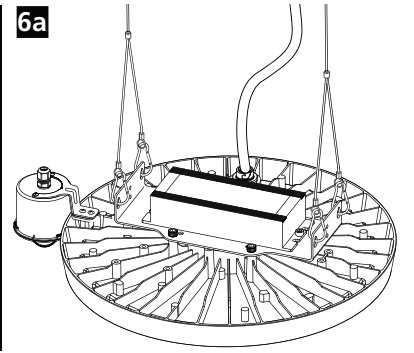
**4a** Suspended mounting



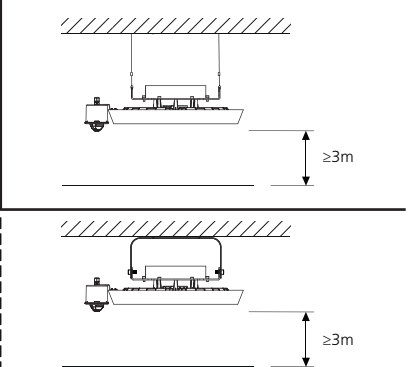
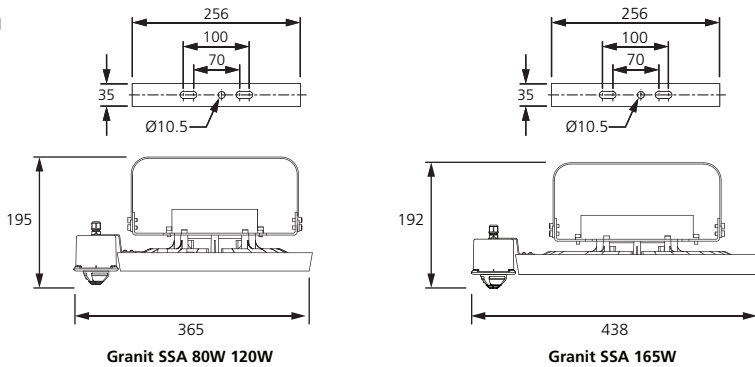
**5a**



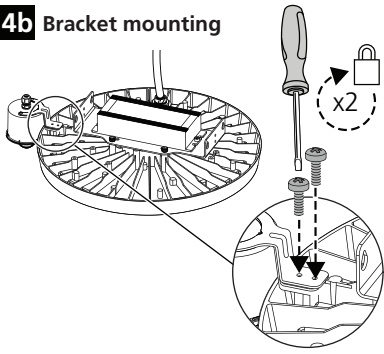
**6a**



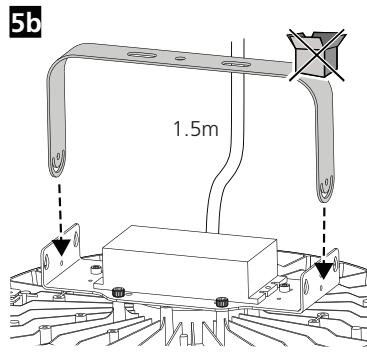
**Bracket mounting**



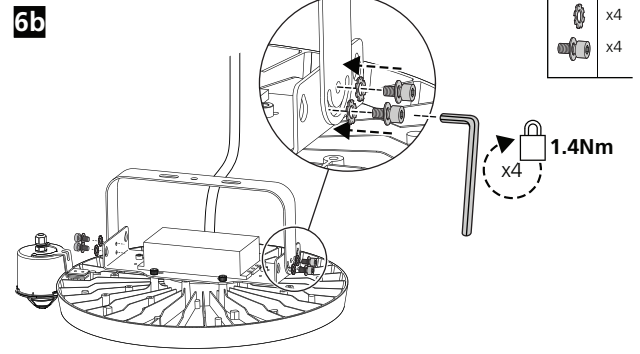
**4b** Bracket mounting



**5b**



**6b**



**!** Z-type

