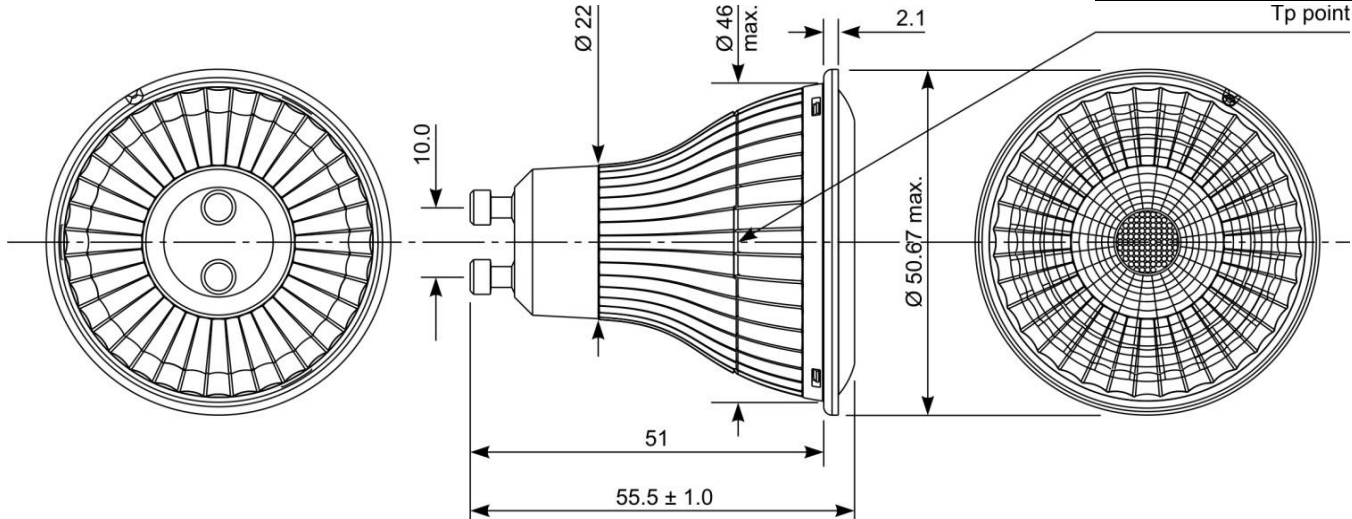




DIMENSIONS (mm):

Energy Class : **A+**

Tp point



Bulb type : PAR16

Cap type : GU10

Finish : Silver & Black

Light Colour : 840 Cool White

ELECTRICAL DATA:

		RATED	MIN.	MAX.
Lamp Wattage	(W) :	5.0	-	5.8
Lamp Voltage	(V) :	230	198	254
Lamp Current	(mA) :	43		
Power Factor	(λ) :	0.5	0.45	-
Supply Frequency	(Hz) :	50 / 60		
Energy Consumption per 1000h	(kW/h) :	5.0		

PHOTOMETRIC DATA:

Beam Angle	(°) :	40	30	50
Luminous Intensity	(cd) :	745	559	931
Useful Luminous Flux	(lm) :	380	342	-
Useful Luminous Efficacy	(lm/W) :	76		
Correlated Colour Temperature	(K) :	4000		
Colour Rendering Index	(Ra) :	80	77	-
Red Colour Rendition	(R9) :	20		
Chromaticity Co-ordinates	(x,y) :	CCx=0.380 CCy=0.377	6-step MacAdam Ellipse	

OPERATING CONDITIONS:

Ta Ambient temperature range	(°C) :	25	-20	45
Tp Point	(°C) :	75	-	100
Starting Time	(s) :	-	-	<0.5
Warm-up Time to >95% Flux	(s) :	-	-	<1.0
Burning Position	:	Universal		
External Control Gear type	:	None		

LAMP LIFE:

Average Life (L ₇₀ F ₅₀)	(h) :	25,000
Switching Cycles	(#) :	100,000

APPLICATION: General lighting. Not suitable for use in totally enclosed luminaires.
 Not suitable for use with dimmer switches / electronic timers / electronic switches.
 Complies with IEC62560, IEC62612, IEC62471, IEC61547, IEC61000, EN55015, EN62493.

Issued by : TIENEN

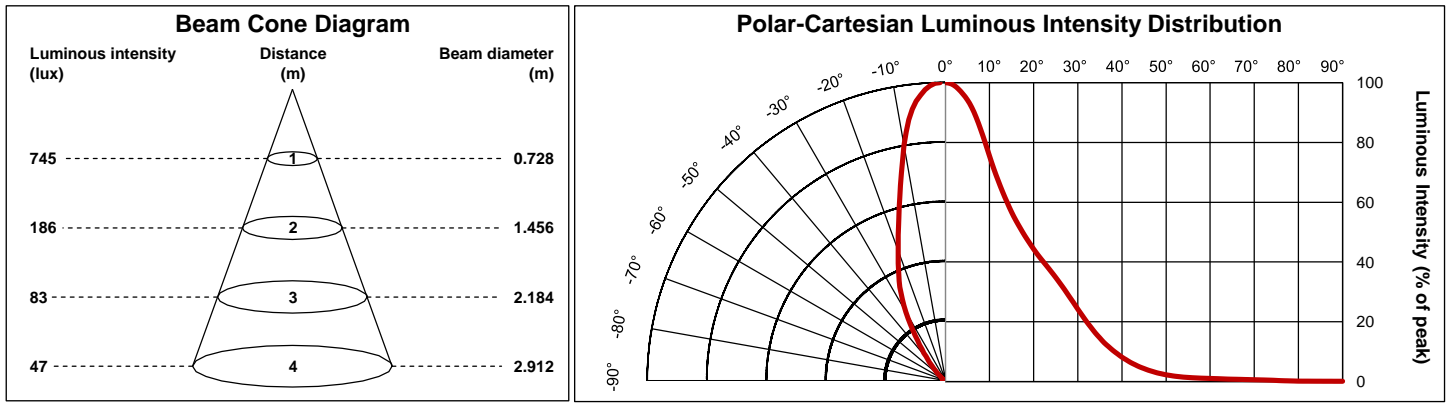
Revision date : 03-II-2015

DATA SHEET

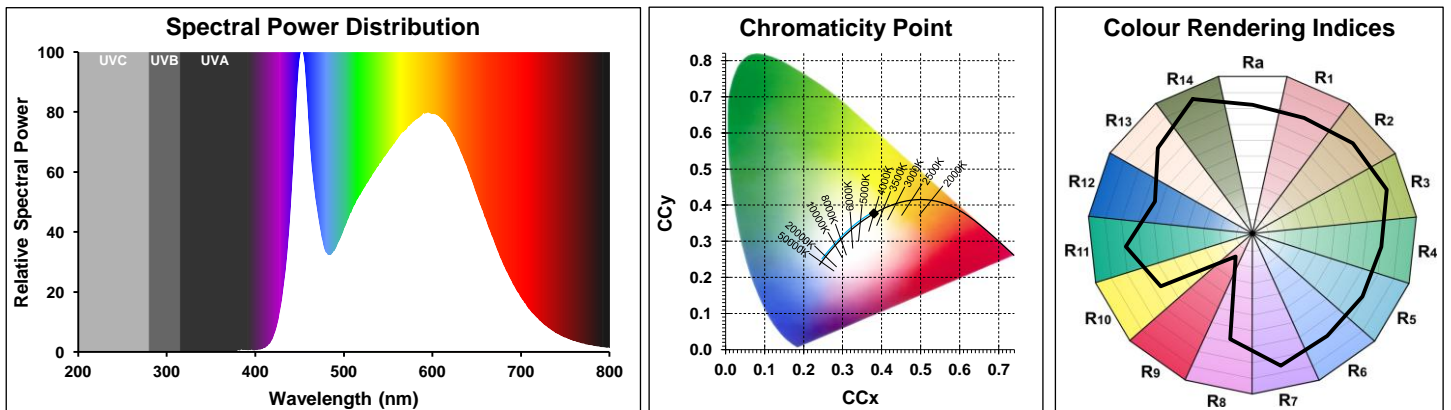
Specification No. : 70-R16-0026815/B

Page : 1 of 2

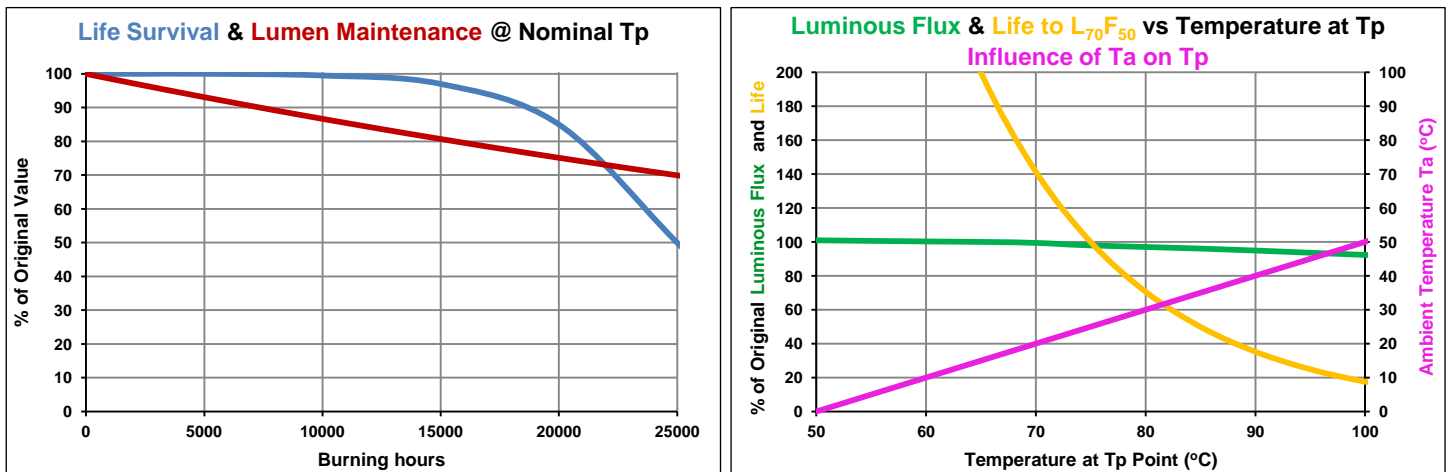
PHOTOMETRIC GRAPHICS:



SPECTRAL GRAPHICS:



PERFORMANCE GRAPHICS:



Issued by : TIENEN
Revision date : 03-11-2015

DATA SHEET

Specification No. : 70-R16-0026815/B
Page : 2 of 2