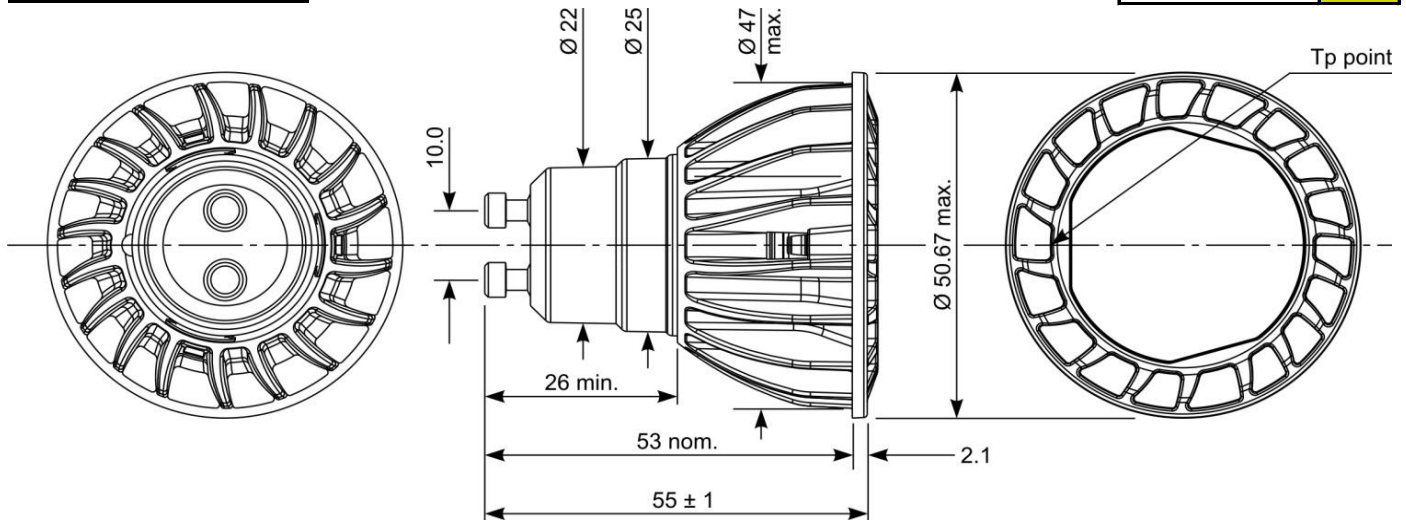


### DIMENSIONS (mm):

Energy Class : **A**



Bulb type : PAR16  
Cap type : GU10

Finish : Dark Silver RAL9023  
Light Colour : 724 Candlelight

### ELECTRICAL DATA:

		RATED	MIN.	MAX.
Lamp Wattage	(W) :	7.5	-	8.6
Lamp Voltage	(V) :	230	198	254
Lamp Current	(mA) :	41		
Power Factor	(λ) :	0.8	0.72	-
Supply Frequency	(Hz) :	50 / 60		
Energy Consumption per 1000h	(kW/h) :	7.5		

### PHOTOMETRIC DATA:

Beam Angle	(°) :	40	30	50
Luminous Intensity	(cd) :	600	450	750
Useful Luminous Flux	(lm) :	345	311	-
Useful Luminous Efficacy	(lm/W) :	46		
Correlated Colour Temperature	(K) :	2400		
Colour Rendering Index	(Ra) :	70	67	-
Red Colour Rendition	(R9) :	0		
Chromaticity Co-ordinates	(x,y) :	CCx=0.482 CCy=0.412	6-step MacAdam Ellipse	

### OPERATING CONDITIONS:

Ta Ambient temperature range	(°C) :	25	-10	45
Tp Point	(°C) :	70	-	95
Starting Time	(s) :	-	-	0.5
Warm-up Time to >95% Flux	(s) :	-	-	1.0
Burning Position	:	Universal		
External Control Gear type	:	None		

### LAMP LIFE:

Average Life (L <sub>70F50</sub> )	(h) :	25,000
Switching Cycles	(#) :	100,000

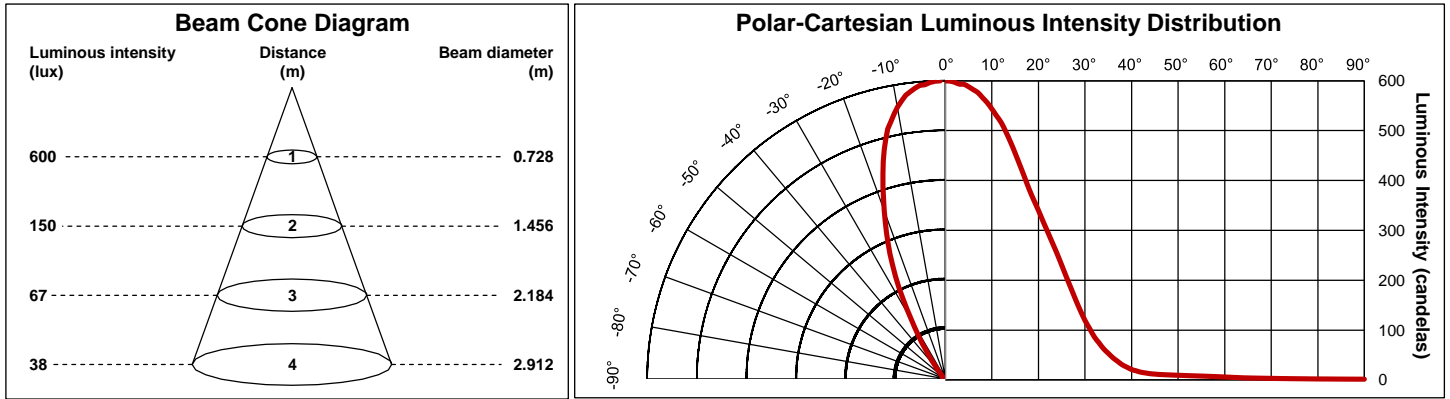
**APPLICATION:** General lighting. Not suitable for use in totally enclosed luminaires.  
Not suitable for use with dimmer switches / electronic timers / electronic switches.  
Complies with IEC62560, IEC62612, IEC62471, IEC61547, IEC61000, EN55015, EN62493.

Issued by : TIENEN  
Date : 24-V-2013  
Revision date :

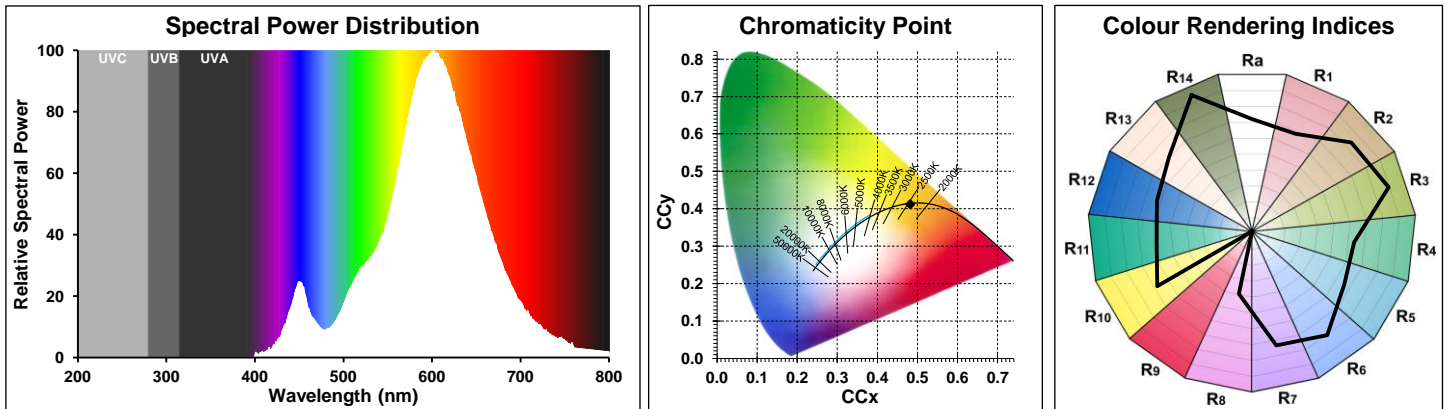
## PROVISIONAL DATA SHEET

Specification No. : 70-R16-0026745  
Supersedes :  
Page : 1 of 2

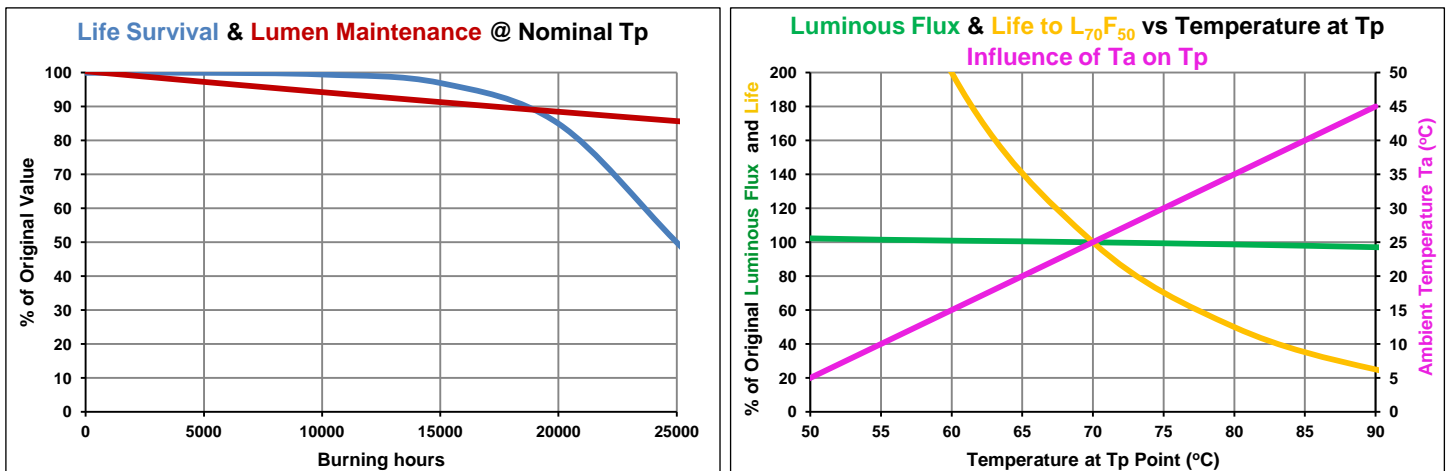
**PHOTOMETRIC GRAPHICS:**



**SPECTRAL GRAPHICS:**



**PERFORMANCE GRAPHICS: (Under Consideration)**



Issued by : TIENEN  
Date : 24-V-2013  
Revision date :

**PROVISIONAL  
DATA SHEET**

Specification No. : 70-R16-0026745  
Supersedes :  
Page : 2 of 2