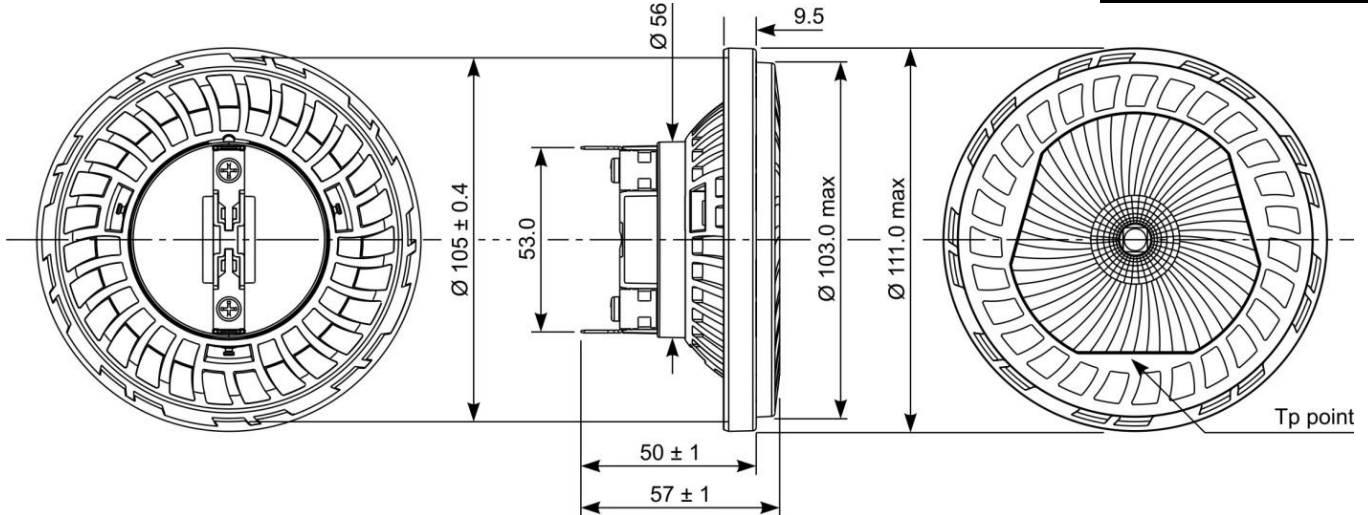


**DIMENSIONS (mm):**

Energy Class : **A+**



Bulb type : AR111

Cap type : G53

Finish : Light Silver

Light Colour : 830 Warm White

**ELECTRICAL DATA:**

		RATED	MIN.	MAX.
Lamp Wattage	(W) :	10.0	-	11.5
Lamp Voltage	(V) :	12	10.2	13.8
Lamp Current	(mA) :	926		
Power Factor	(λ) :	0.9	0.81	-
Supply Frequency	(Hz) :	DC / 50 / 60 / HF		
Energy Consumption per 1000h	(kW/h) :	10.6		

**PHOTOMETRIC DATA:**

Beam Angle	(°) :	40	30	50
Luminous Intensity	(cd) :	1600	1200	2000
Useful Luminous Flux	(lm) :	740	666	-
Useful Luminous Efficacy	(lm/W) :	74		
Correlated Colour Temperature	(K) :	3000		
Colour Rendering Index	(Ra) :	80	77	-
Red Colour Rendition	(R9) :	15		
Chromaticity Co-ordinates	(x,y) :	CCx=0.437 CCy=0.404	6-step MacAdam Ellipse	

**OPERATING CONDITIONS:**

Ta Ambient temperature range	(°C) :	25	-10	65
Tp Point	(°C) :	45	-	75
Starting Time	(s) :	-	-	<0.5
Warm-up Time to >95% Flux	(s) :	-	-	<1.0
Burning Position	:	Universal		
External Control Gear type	:	Halogen Transformer		

**LAMP LIFE:**

Average Life (L <sub>70F50</sub> )	(h) :	50,000
Switching Cycles	(#) :	100,000

**APPLICATION:** General lighting. Not suitable for use in totally enclosed luminaires.  
 Broad compatibility with high frequency electronic transformers and dimmers.  
 Complies with IEC62838, IEC62612, IEC62471, IEC61547, IEC61000, EN55015, EN62493.

Issued by : TIENEN

Revision date : 11-II-2014

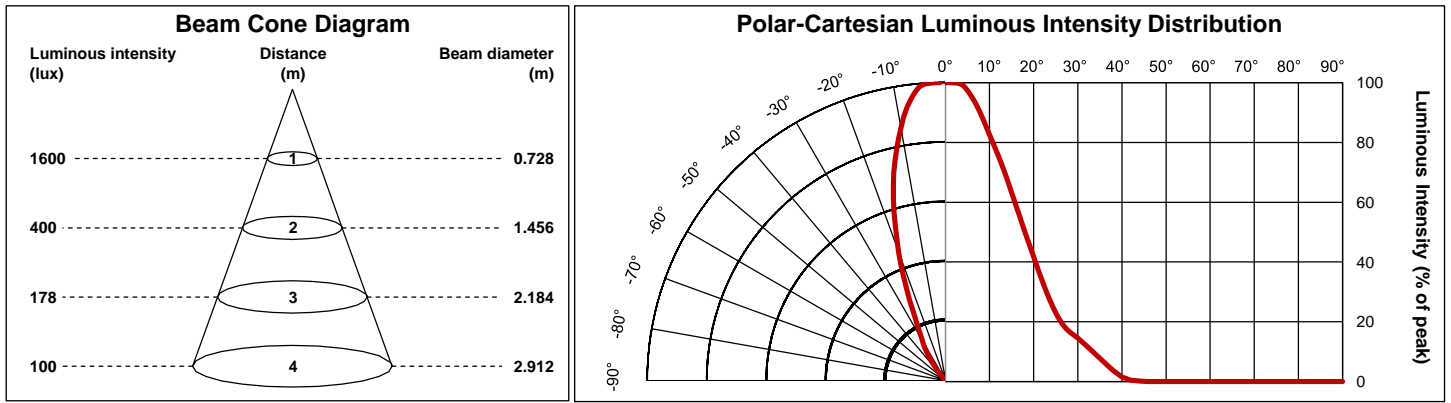
**DATA SHEET**

Specification No. : 70-R36-0026418/B

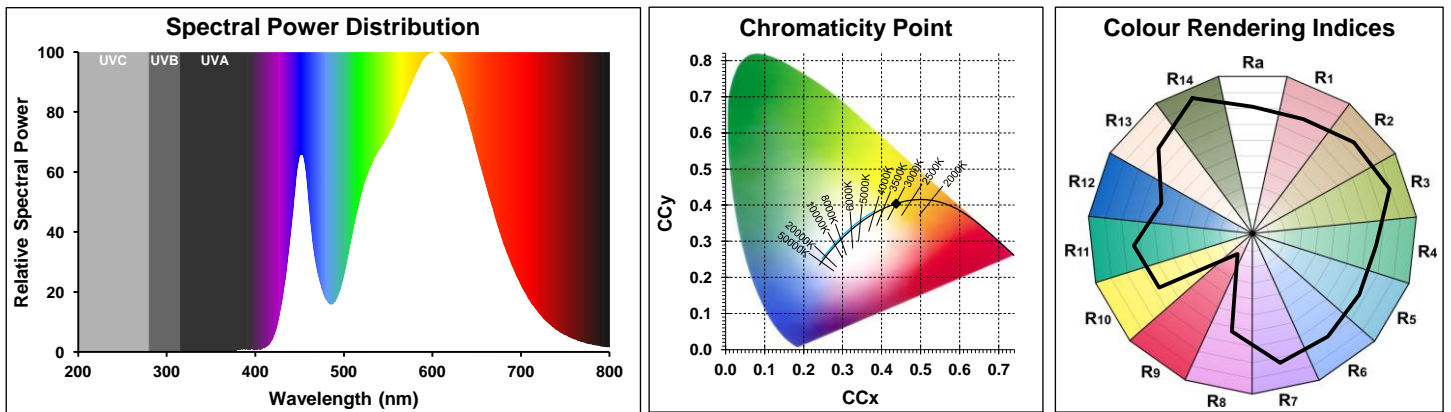
Page : 1 of 2



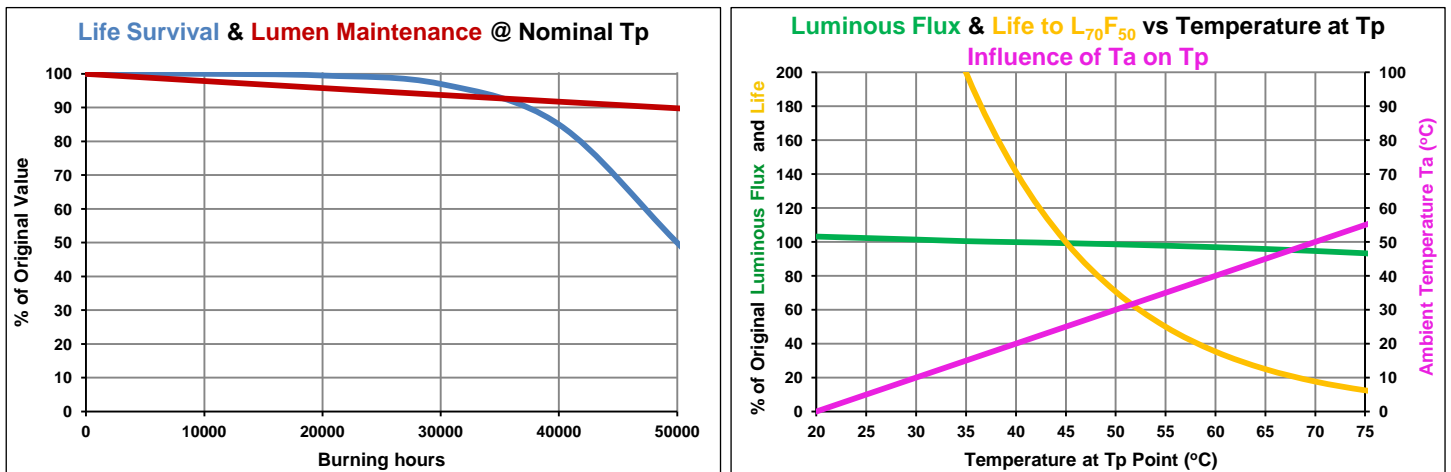
**PHOTOMETRIC GRAPHICS:**



**SPECTRAL GRAPHICS:**



**PERFORMANCE GRAPHICS:**



Issued by : TIENEN  
Revision date : 11-II-2014

**DATA SHEET**

Specification No. : 70-R36-0026418/B  
Page : 2 of 2