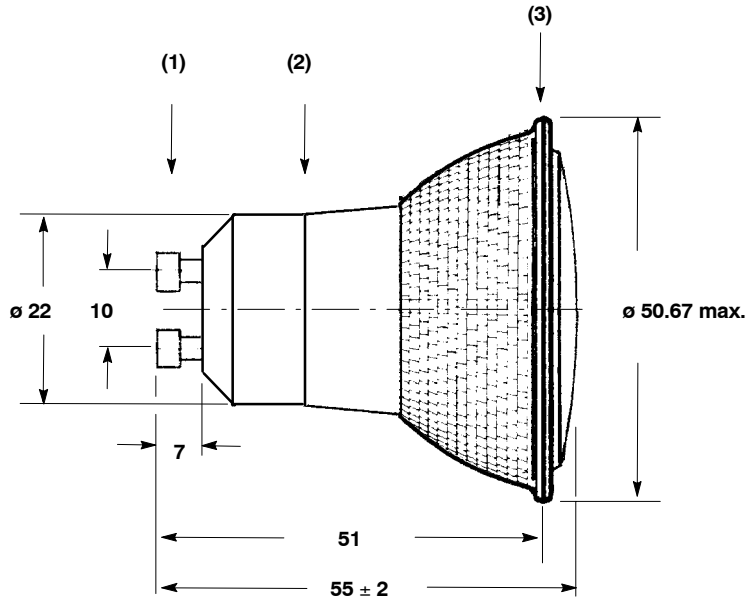




DIMENSIONS (mm)



Base type : GU 10
 Reflector : aluminium
 Lens : clear
 Coil : compact

ELECTRICAL DATA:

		NOMINAL VALUE	MIN.	MAX.
Lamp wattage	(W) :	50	-	-
Lamp voltage	(V) :	230, 240	-	-

OPERATING CONDITIONS:

Base contact temperature (°C)(1)	:	-	-	250
Base rim temperature (°C)(2)	:	-	-	320
Reflector rim temperature (°C)(3)	:	-	-	240
Burning position	:	any		

LAMP LIFE :

Average life	(h) :	4000
--------------	-------	------

PHOTOMETRIC DATA:

Colour temperature (K) : 2650

TYPE DESCRIPTION	BEAM ANGLE (degrees)	LUMINOUS INTENSITY (Cd)	ILCOS CODE	
FLOOD	230V	25°	1360	HAGSPAR-50-230-GU10-50/25
	240V	25°	1360	HAGSPAR-50-240-GU10-50/25
WIDE FLOOD	230V	50°	550	HAGSPAR-50-230-GU10-50/50
	240V	50°	550	HAGSPAR-50-230-GU10-50/50

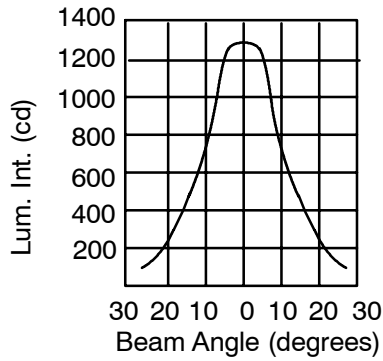
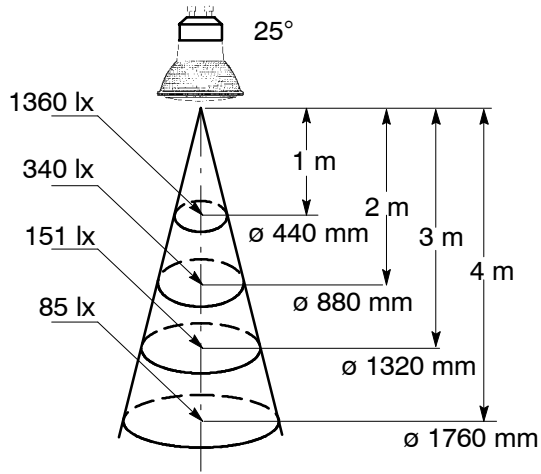
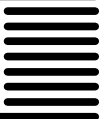
APPLICATION: General and accent lighting for indoor use.

ATTENTION: The product must be used with suitable operating equipment and in accordance with the specified data. Lamps comply with the requirements of EN60410, EN60432, EN60630

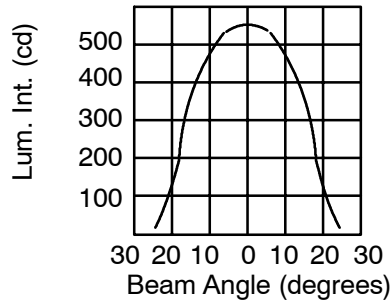
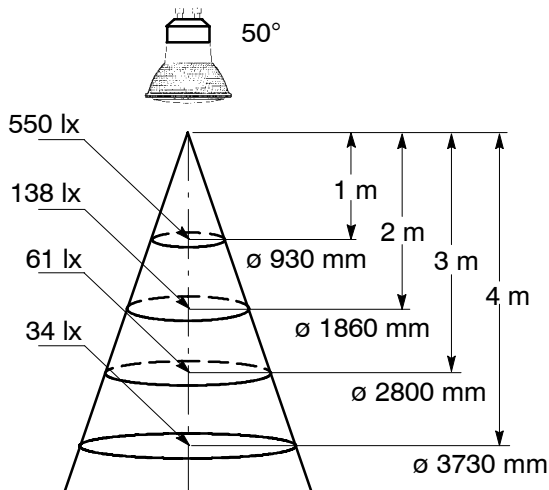
Issued by : TIENEN
 Date : 06.09.2005
 Revision date : 21.12.2005

DATA SHEET

Specification No. : 49-50-049/A 06.09.2005
 Supersedes :
 Page 1 of 3



FLOOD



WIDE FLOOD

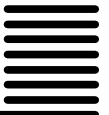
APPLICATION : General and accent lighting for indoor use.

ATTENTION: The product must be used with suitable operating equipment and in accordance with the specified data. Lamps comply with the requirements of EN60410, EN60432, EN60630

Issued by : TIENEN
 Date : 06.09.2005
 Revision date : 21.12.2005

DATA SHEET

Specification No. : 49-50-049/A 06.09.2005
 Supersedes :
 Page 2 of 3



GU10/GZ10 BASES

GENERAL

A GU10/GZ10 base is a new base type, created by Sylvania, to be used on line voltage lamps up to 250V. The Sylvania Halogen Lamp : Hi-Spot Superia ES50 has this GU10 base, HI-SPOT Superia ESD50 has the GZ10 base.

This line-voltage Halogen lamp has a 50 mm reflector, (aluminized or dichroic) similar to the low voltage (12V) display lamp and owes its very compact dimensions to this new GU 10/GZ10 base.

The GU10/GZ10 base mainly consists of a steatit part and two brass contacts, mechanical attached to it. Although this base is very small, it fulfils all future regulations concerning safety during operation, such as protection against accidental contact, fusing, etc....

REMARK

Please be noted that this GU10 base has a chamfered edge with 45° angle. This edge is foreseen for lamps with aluminized reflector.

The GZ10 base with rectangular steatit part is used for a dichroic reflector.

In this way a dichroic lamp cannot be placed in a fixture which is ment only to accept an aluminized lamp (a dichroic lamp creates more heat to the back).

TEMPERATURE READINGS

Typical temperature readings on the socket contacts (aluminized HI-SPOT Superia ES50, 50W lamps) are :

Free burning : 160°C
in closed fixture : 225°C

Typical temperature readings on the socket contacts (dichroic HI-SPOT Superia ESD50, 50W lamps) are :

Free burning : 140°C
in closed fixture : 245°C

Issued by : TIENEN
Date : 06.09.2005
Revision date : 21.12.2005

DATA SHEET

Specification No. : 49-50-049/A
06.09.2005
Supersedes :
Page 3 of 3