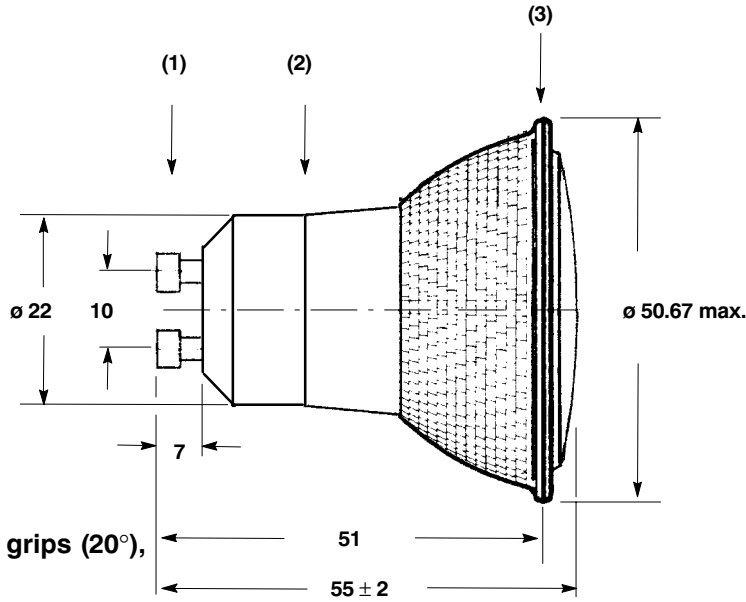


**DIMENSIONS (mm)**



Base type : GU 10  
 Reflector : aluminium  
 Lens : stippled with finger grips (20°),  
           clear (40°)  
 Coil : compact

<b>ELECTRICAL DATA:</b>		<b>NOMINAL VALUE</b>	<b>MIN.</b>	<b>MAX.</b>
Lamp wattage	(W) :	50	47.5	52.5
Lamp voltage	(V) :	230, 240	-	-

**OPERATING CONDITIONS:**

Base contact temperature (°C)(1)	:	-	-	250
Base rim temperature (°C)(2)	:	-	-	320
Reflector rim temperature (°C)(3)	:	-	-	240
Burning position	:	any		

**LAMP LIFE :**

Average life	(h) :	3000
--------------	-------	------

**PHOTOMETRIC DATA:**

Colour temperature (K) : 2800

TYPE DESCRIPTION		BEAM ANGLE (degrees)	LUMINOUS INTENSITY (Cd)	ILCOS CODE
FLOOD	230V	20°	2000	HAGSPAR-50-230-GU10-50/20
	240V	20°	2000	HAGSPAR-50-240-GU10-50/20
WIDE FLOOD	230V	40°	900	HAGSPAR-50-230-GU10-50/40
	240V	40°	900	HAGSPAR-50-240-GU10-50/40

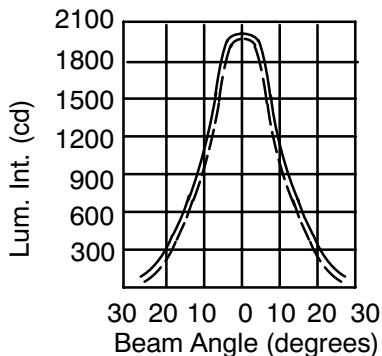
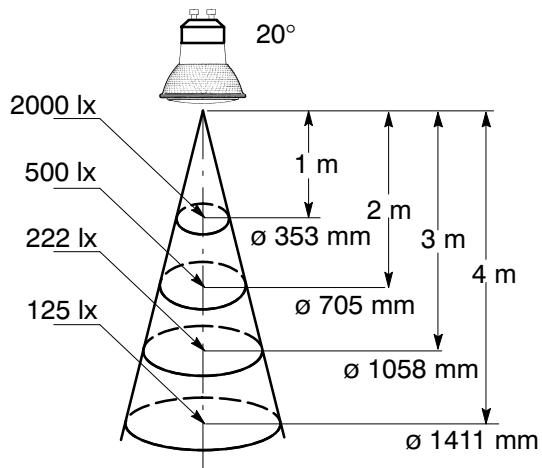
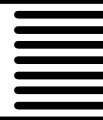
**APPLICATION:** General and accent lighting for indoor use.

**ATTENTION:** The product must be used with suitable operating equipment and in accordance with the specified data. Lamps comply with the requirements of EN60410, EN60432, EN60630

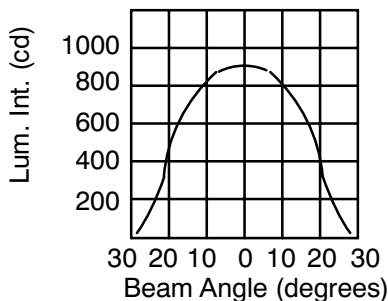
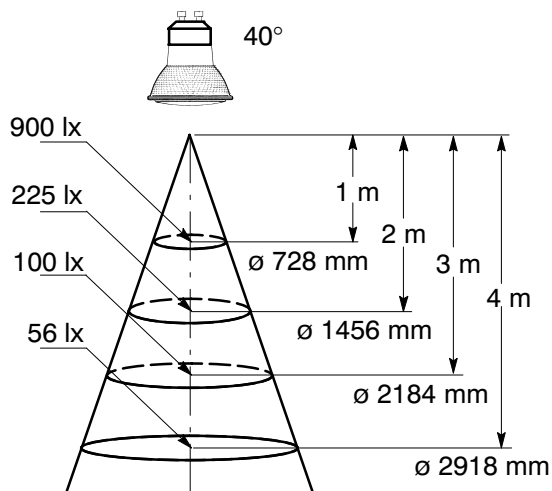
Issued by : TIENEN  
 Date : 27.11.2007  
 Revision date : 08.09.2009

**DATA SHEET**

Specification No. : 49-50-048/D  
 Supersedes : 49-50-048/C 03.12.2008  
 Page 1 of 3



FLOOD



WIDE FLOOD

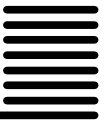
**APPLICATION :** General and accent lighting for indoor use.

**ATTENTION:** The product must be used with suitable operating equipment and in accordance with the specified data. Lamps comply with the requirements of EN60410, EN60432, EN60630

Issued by : TIENEN  
 Date : 27.11.2007  
 Revision date : 08.09.2009

**DATA SHEET**

Specification No. : 49-50-048/D  
 Supersedes : 49-50-048/C 03.12.2008  
 Page 2 of 3



## GU10 BASES

### GENERAL

A GU10 is a base type, created by Sylvania, to be used on line voltage lamps up to 250V.

The Sylvania Halogen Lamp : Hi-Spot ES 50 has this GU10 base.

This line-voltage Halogen lamp has a 50 mm aluminized reflector, similar to the low voltage ( 12V ) display lamp and owes its very compact dimensions to this GU 10 base.

The GU10 base mainly consists of a steatit part and two brass contacts, mechanical attached to it.

Although this base is very small, it fulfils all future regulations concerning safety during operation, such as protection against accidental contact, fusing, etc....

### REMARK

Please be noted that this GU10 base has a chamfered edge with 45° angle. This edge is foreseen for lamps with aluminized reflector.

Issued by : TIENEN  
Date : 27.11.2007  
Revision date : 08.09.2009

## DATA SHEET

Specification No. : 49-50-048/D  
Supersedes : 49-50-048/C  
03.12.2008  
Page 3 of 3