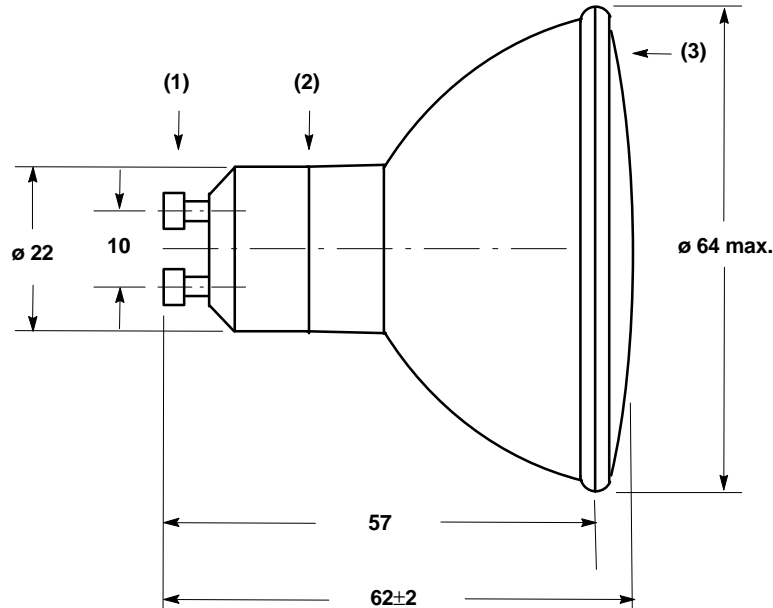


**DIMENSIONS (mm)**



Base type : GU 10  
 Reflector : aluminium  
 Lens : clear  
 Coil : compact

ELECTRICAL DATA:		NOMINAL VALUE	MIN.	MAX.
Lamp wattage	(W) :	50	-	-
Lamp voltage	(V) :	230, 240	-	-

**OPERATING CONDITIONS:**

Base contact temperature (°C)(1)	:	-	-	250
Base rim temperature (°C)(2)	:	-	-	320
Reflector rim temperature (°C)(3)	:	-	-	240
Burning position	:	any		

**LAMP LIFE :**

Average life	(h) :	2500
--------------	-------	------

**PHOTOMETRIC DATA:**

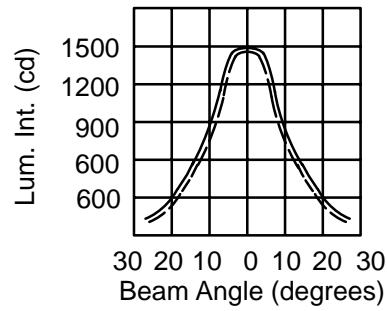
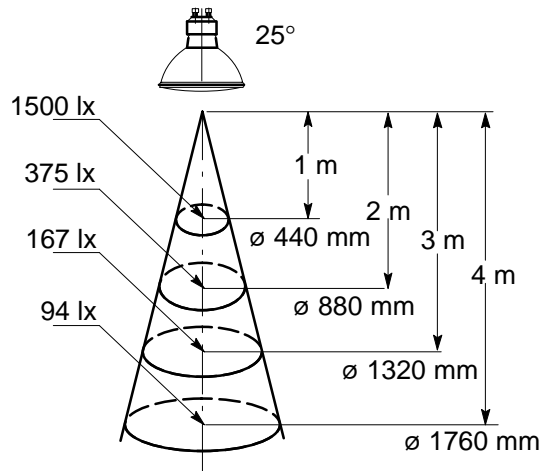
Colour temperature	(K) :	2750
--------------------	-------	------

TYPE DESCRIPTION	BEAM ANGLE (degrees)	LUMINOUS INTENSITY (Cd)	ILCOS CODE
FLOOD 230V	25°	1500	HAGSPAR-50-230-GU10-63/25
240V	25°	1500	HAGSPAR-50-240-GU10-63/25

**APPLICATION:** General and accent lighting for indoor use.

**ATTENTION:** The product must be used with suitable operating equipment and in accordance with the specified data. Lamps comply with the requirements of EN60410, EN60432, EN60630

Issued by : TIENEN Date : 04.07.1999 Revision date : 08.07.2001	<h2>DATA SHEET</h2>	Specification No. : 49 63 051/E Supersedes : 4963051/D 29.06.2001 Page 1 of 2
---	---------------------	---



FLOOD

**APPLICATION :** General and accent lighting.

**ATTENTION:** The product must be used with suitable operating equipment and in accordance with the specified data. Lamps comply with the requirements of EN60410, EN60432, EN60630

Issued by : TIENEN  
 Date : 04.07.1999  
 Revision date : 08.07.2001

## DATA SHEET

Specification No. : 49 63 051/E  
 Supersedes : 4963051/D 29.06.2001  
 Page 2 of 2