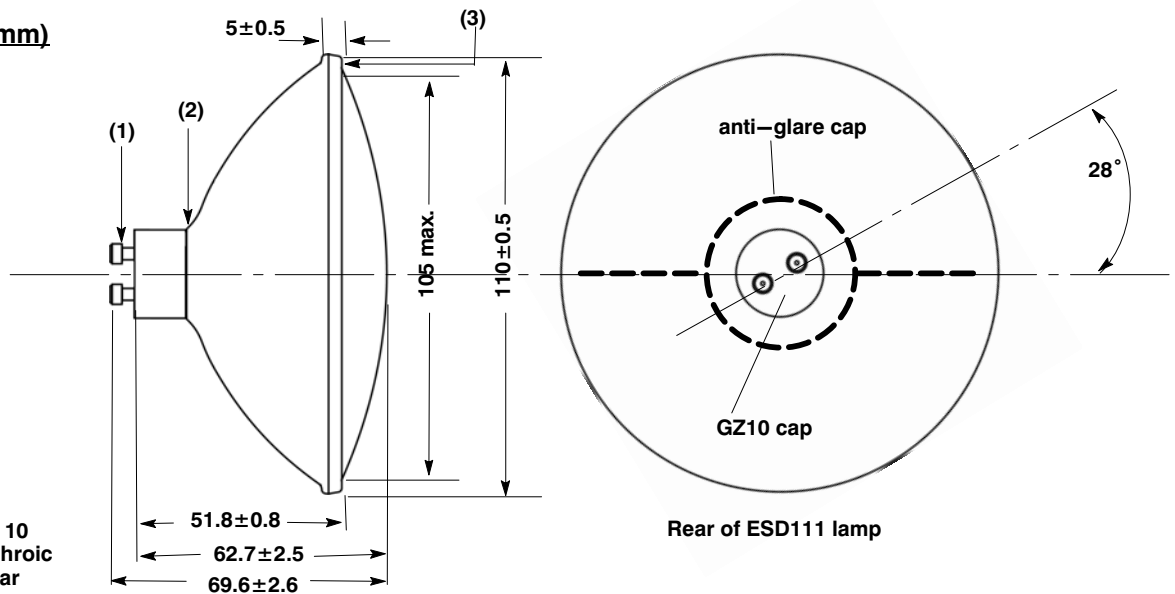


DIMENSIONS (mm)



Base type : GZ 10
 Reflector : dichroic
 Lens : clear
 Coil : compact

ELECTRICAL DATA:		NOMINAL VALUE	MIN.	MAX.
Lamp wattage	(W) :	100	-	-
Lamp voltage	(V) :	230/240	-	-

OPERATING CONDITIONS:

Base contact temperature (°C)(1)	:	-	-	250
Base rim temperature (°C)(2)	:	-	-	340
Reflector rim temperature (°C)(3)	:	-	-	240
Burning position	:	any		

LAMP LIFE :

Average life	(h) :	2000
--------------	-------	------

PHOTMETRIC DATA :

Colour temperature (K) : 2800

WATTAGE	TYPE DESCRIPTION	BEAM ANGLE (degrees)	LUMINOUS INTENSITY (cd)	ILCOS CODE
100W	SPOT 230V	10°	12 000 cd	HRGSPAR-100-230-GZ10-111/10
		10°	12 000 cd	HRGSPAR-100-240-GZ10-111/10
	FLOOD 230V	24°	5 000 cd	HRGSPAR-100-230-GZ10-111/24
		24°	5 000 cd	HRGSPAR-100-240-GZ10-111/24

APPLICATION: General and accent lighting for indoor use.

ATTENTION: The product must be used with suitable operating equipment and in accordance with the specified data. Lamps comply with the requirements of EN60410, EN60432, EN60630.

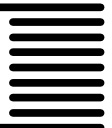
INFORMATION FOR LUMINAIRE DESIGN: (see IEC 60357 Amd.1, sheet 6817-1)

Rim mounting of this lamp is the preferred method and should be the only method used for luminaire design. The GZ10 lampholder should be used as a connector which provides electrical contact without support.

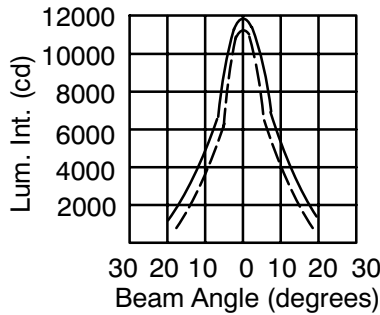
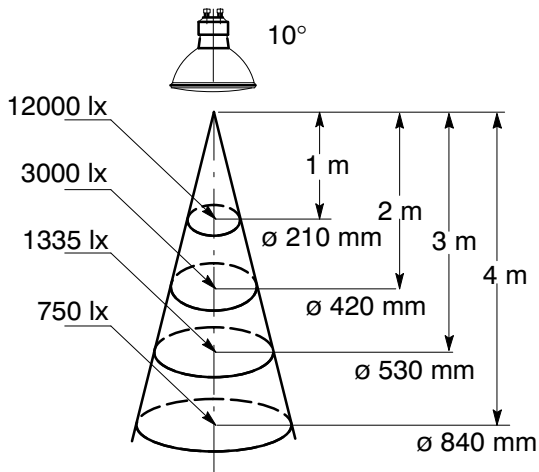
Issued by : TIENEN
 Date : 07.12.2001
 Revision date : 01.06.2012

**DATA SHEET
 PRELIMINARY**

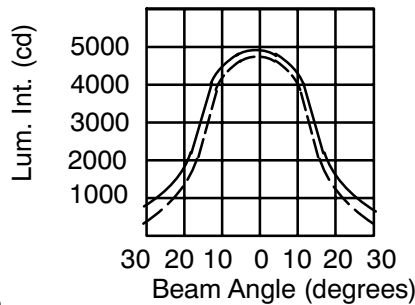
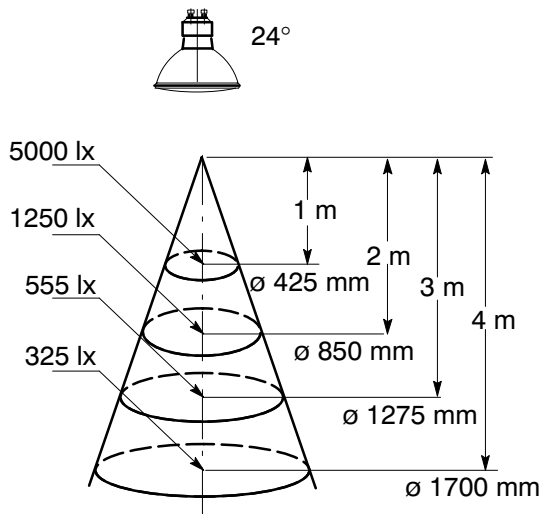
Specification No. : 49-63-083/C
 Supersedes : 49-63-083/B 07.05.2002
 Page 1 of 2



100W



SPOT



FLOOD

APPLICATION: General and accent lighting for indoor use.

ATTENTION: The product must be used with suitable operating equipment and in accordance with the specified data. Lamps comply with the requirements of EN60410, EN60432, EN60630.

INFORMATION FOR LUMINAIRE DESIGN: (see IEC 60357 Amd.1, sheet 6817-1)

Rim mounting of this lamp is the preferred method and should be the only method used for luminaire design. The GZ10 lampholder should be used as a connector which provides electrical contact without support.

Issued by : TIENEN
Date : 07.12.2001
Revision date : 01.06.2012

**DATA SHEET
PRELIMINARY**

Specification No. : 49-63-083/C
Supersedes : 49-63-083/B 07.05.2002
Page 2 of 2