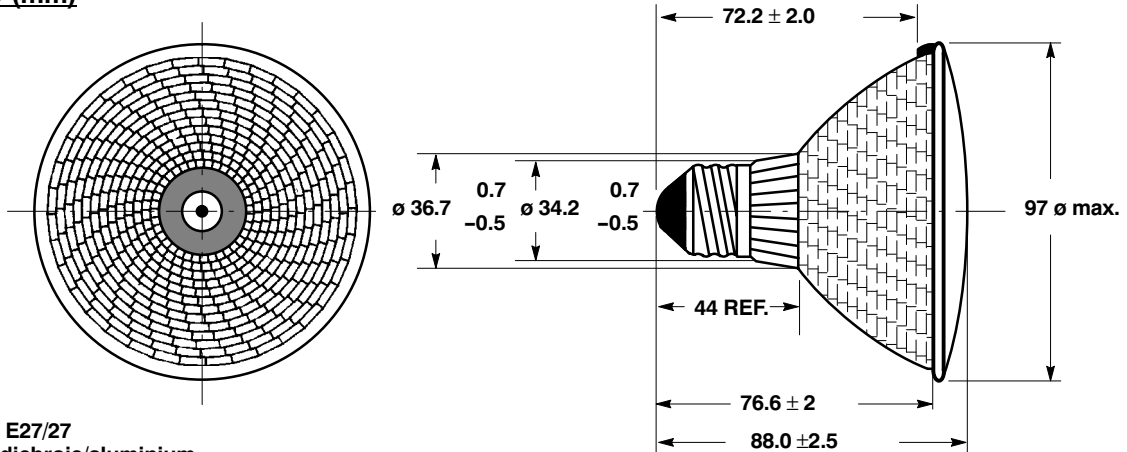




DIMENSIONS (mm)



Base type : E27/27
 Reflector : dichroic/aluminium
 Lens : clear
 Coil : axial

ELECTRICAL DATA:		NOMINAL VALUE	MIN.	MAX.
Lamp wattage	(W) :	75	-	-
Lamp voltage	(V) :	230, 240	-	-

OPERATING CONDITIONS:

Base rim temperature	(°C) :	-	-	250
Reflector rim temperature	(°C) :	-	-	210
Burning position	:	any		

LAMP LIFE :

Average life	(h) :	3000		
--------------	-------	------	--	--

PHOTOMETRIC DATA:

TYPE DESCRIPTION		BEAM ANGLE (degrees)	LUMINOUS INTENSITY (Cd)	ILCOS CODE
DICHROIC FLOOD	230V	30°	2400	HRPAR-75-230-E27-95/30
	240V	30°	2400	HRPAR-75-240-E27-95/30
ALUMINIUM NARROW SPOT	230V	10°	6900	HAPAR-75-230-E27-95/10
	240V	10°	6900	HAPAR-75-240-E27-95/10
FLOOD	230V	30°	2200	HAPAR-75-230-E27-95/30
	240V	30°	2200	HAPAR-75-240-E27-95/30

APPLICATION: General and accent lighting for indoor use.

ATTENTION: The product must be used with suitable operating equipment and in accordance with the specified data. Lamps comply with the requirements of EN60410, EN60432, EN60630.

Issued by : TIENEN
 Date : 06.03.1997
 Revision date : 25.04.2014

DATA SHEET

Specification No. : 49 95 075/B
 Supersedes : 49 95 075/A 16.02.2001
 Page 1 of 5

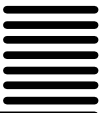


Nominal useful luminous flux 90° cone (Lm)	:	640 for ALU; 700 for DICHROIC
Luminous flux-total (Lm)	:	800 for ALU; 900 for DICHROIC
Colour temperature (K)	:	2900
Colour rendering index	:	100Ra8
Number of switching cycles	:	min. 12000
Lumen maintenance @ 75% nominal lifetime	:	≥ 80%
P eff. radiant UV (mW/m ² .klx)	:	0.01
Weighted energy consumption (kwh/1000h)	:	75.00
EEI	:	1.40 for ALU; 1.30 for DICHROIC
EEL	:	D
Warm up time to 60%	:	Instant full light

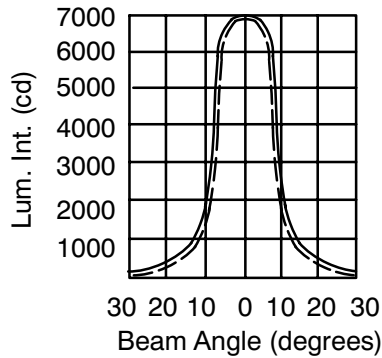
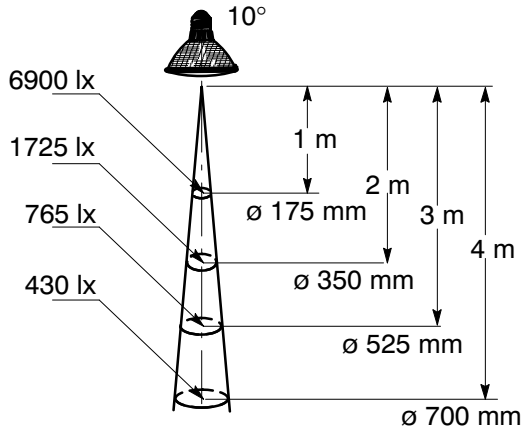
Issued by : TIENEN
Date : 06.03.1997
Revision date : 25.04.2014

DATA SHEET

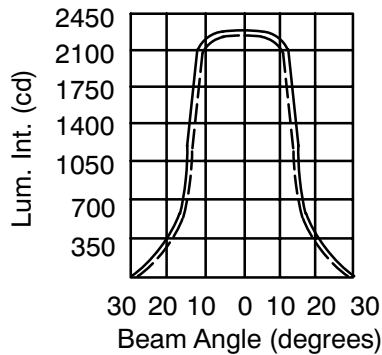
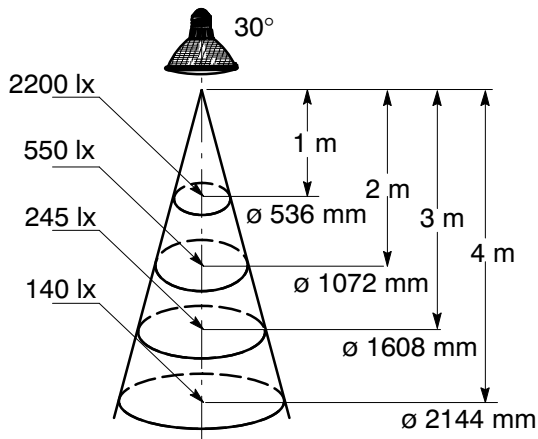
Specification No. : 49 95 075/B
Supersedes : 49 95 075/A 16.02.2001
Page 2 of 5



ALUMINIUM COATING:



SPOT



FLOOD

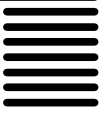
APPLICATION: General and accent lighting for indoor use.

ATTENTION: The product must be used with suitable operating equipment and in accordance with the specified data. Lamps comply with the requirements of EN60410, EN60432, EN60630.

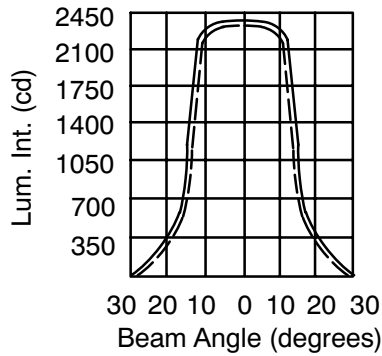
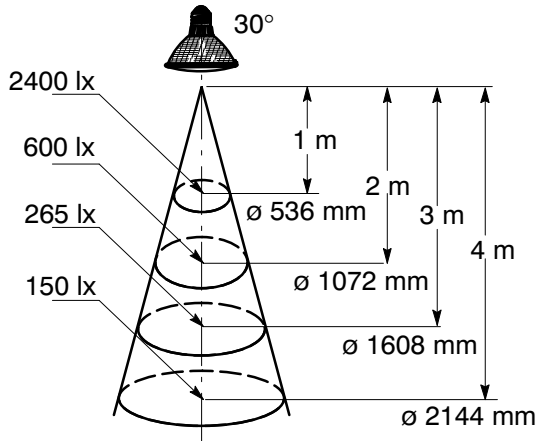
Issued by : TIENEN
 Date : 06.03.1997
 Revision date : 25.04.2014

DATA SHEET

Specification No. : 49 95 075/B
 Supersedes : 49 95 075/A 16.02.2001
 Page 3 of 5



DICHROIC COATING:

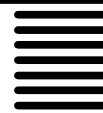


FLOOD

Issued by : TIENEN
 Date : 06.03.1997
 Revision date : 25.04.2014

DATA SHEET

Specification No. : 49 95 075/B
 Supersedes : 49 95 075/A 16.02.2001
 Page 4 of 5



ADDENDUM

TYPICAL TEMPERATURES MEASURED IN A FREE BURNING POSITION

75W dichroic

	TEMPERATURE at minimum safety distance	THERMOCOUPLE LOCATIONS	
		BASE RIM	REFLECTOR RIM
MAX. ALLOWABLE TEMP.	90 °C	250 °C	210 °C
MEASURED VALUES	44 °C at 0.5 m	180 °C	110 °C

75W aluminized

	TEMPERATURE at minimum safety distance	THERMOCOUPLE LOCATIONS	
		BASE RIM	REFLECTOR RIM
MAX. ALLOWABLE TEMP.	90 °C	250 °C	210 °C
MEASURED VALUES	76 °C at 0.5 m	135 °C	100 °C

* NOTE : values for minimum safety distance are measured on spot type

Temperature at minimum safety distance and base rim is measured base-up.
Reflector rim is measured with lamp horizontal, thermocouple on top.

Issued by : TIENEN
Date : 06.03.1997
Revision date : 25.04.2014

DATA SHEET

Specification No. : 49 95 075/B
Supersedes : 49 95 075/A 16.02.2001
Page 5 of 5