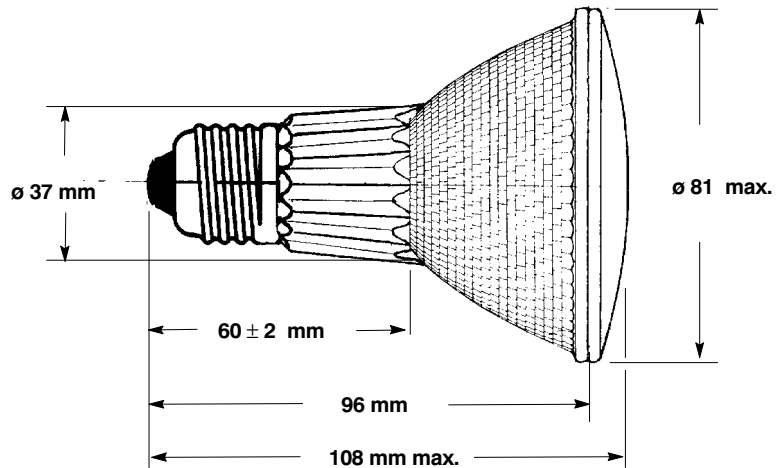
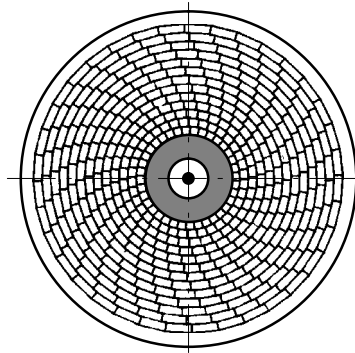




**DIMENSIONS (mm)**



Base type : E27/27  
 Reflector : aluminium  
 Lens : clear  
 Coil : axial

**ELECTRICAL DATA:**

**NOMINAL VALUE**

**MIN.**

**MAX.**

Lamp wattage	(W)	:	75	-	-
Lamp voltage	(V)	:	230, 240	-	-

**OPERATING CONDITIONS:**

Base rim temperature	(°C)	:	-	-	210
Reflector rim temperature	(°C)	:	-	-	210
Burning position		:	any		

**LAMP LIFE :**

Average life	(h)	:	3000		
--------------	-----	---	------	--	--

**PHOTOMETRIC DATA:**

TYPE DESCRIPTION		BEAM ANGLE (degrees)	LUMINOUS INTENSITY (Cd)	ILCOS CODE
NARROW SPOT	230V	10°	5500	HAPAR-75-230-E27-80/10
	240V	10°	5500	HAPAR-75-240-E27-80/10
FLOOD	230V	25°	1300	HAPAR-75-230-E27-80/25
	240V	25°	1300	HAPAR-75-240-E27-80/25

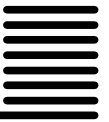
**APPLICATION:** General and accent lighting for indoor use.

**ATTENTION:** The product must be used with suitable operating equipment and in accordance with the specified data. Lamps comply with the requirements of EN60410, EN60432, EN60630.

Issued by : TIENEN  
 Date : 13.04.1994  
 Revision date : 25.04.2014

**DATA SHEET**

Specification No. : 49 80 075/B  
 Supersedes : 49 80 075/A 06.03.97  
 Page 1 of 4



---

Issued by : TIENEN  
Date : 13.04.1994  
Revision date : 25.04.2014

**DATA SHEET**

Specification No. : 49 80 075/B  
Supersedes : 49 80 075/A 06.03.97  
Page 2 of 4