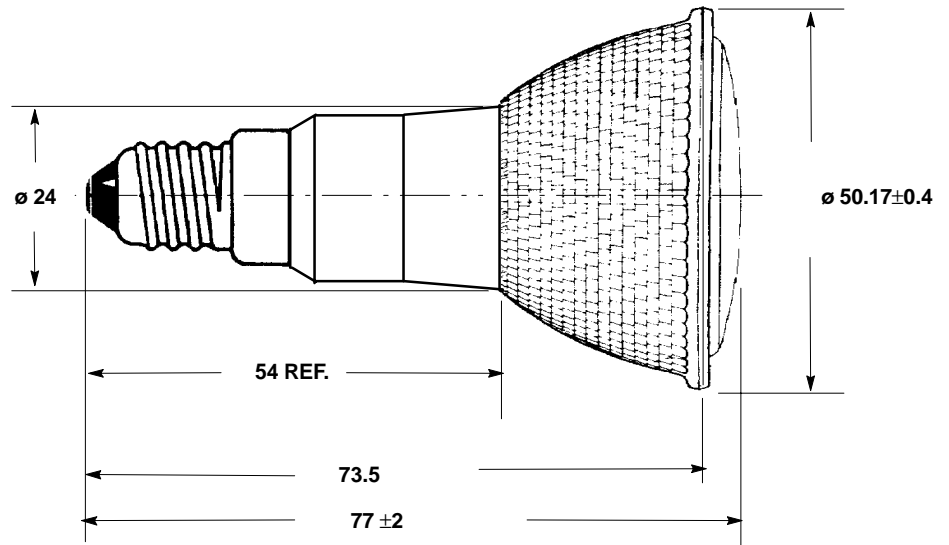
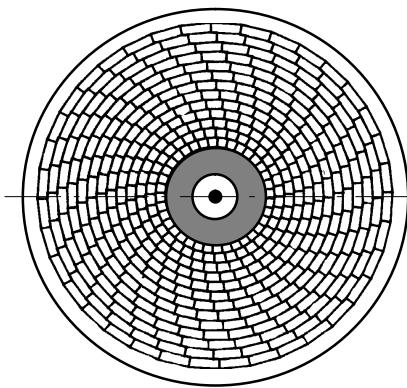


DIMENSIONS (mm)



- Coil : compact
- Lens : clear
- Reflector : aluminium
- Cap : E14 (IEC 61-1)

ELECTRICAL DATA:		NOMINAL VALUE	MIN.	MAX.
Lamp wattage	(W) :	40	-	-
Lamp voltage	(V) :	230, 240	-	-

OPERATING CONDITIONS:

Base rim temperature	(°C) :	-	-	210
Reflector rim temperature	(°C) :	-	-	240
Burning position	:	any		

LAMP LIFE :

Average life (50% failure rate)(h) : 2000

PHOTOMETRIC DATA:

TYPE DESCRIPTION		BEAM ANGLE (degrees)	LUMINOUS INTENSITY (Cd)	ILCOS CODE
FLOOD	230V	25°	950	HAPAR-40-230-E14-50/25
	240V	25°	950	HAPAR-40-240-E14-50/25

Colour temperature (K) : 2700

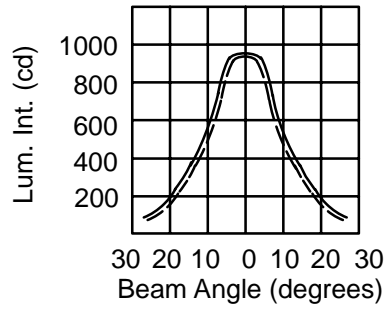
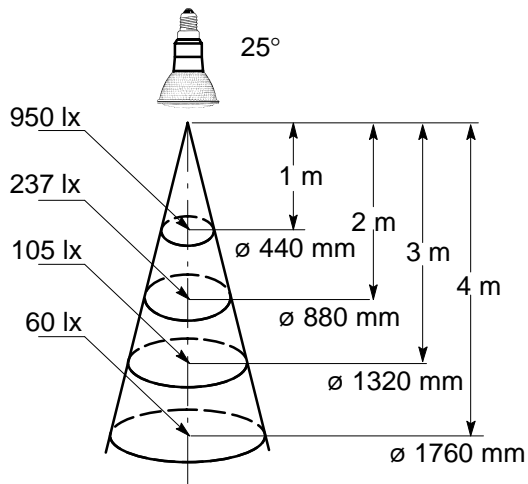
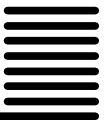
APPLICATION : General and accent lighting for indoor use.

ATTENTION: The product must be used with suitable operating equipment and in accordance with the specified data. Lamps comply with the requirements of EN60410, EN60432, EN60630.

Issued by : TIENEN
 Date : 17.01.1997
 Revision date : 15.02.2001

DATA SHEET

Specification No. : 49 50 050/A
 Supersedes : 49 50 050 15.02.97
 Page 1 of 2



APPLICATION : General and accent lighting for indoor use.

ATTENTION: The product must be used with suitable operating equipment and in accordance with the specified data. Lamps comply with the requirements of EN60410, EN60432, EN60630.

Issued by : TIENEN
 Date : 17.01.1997
 Revision date : 15.02.2001

DATA SHEET

Specification No. : 49 50 050/A
 Supersedes : 49 50 050 15.02.97
 Page 2 of 2