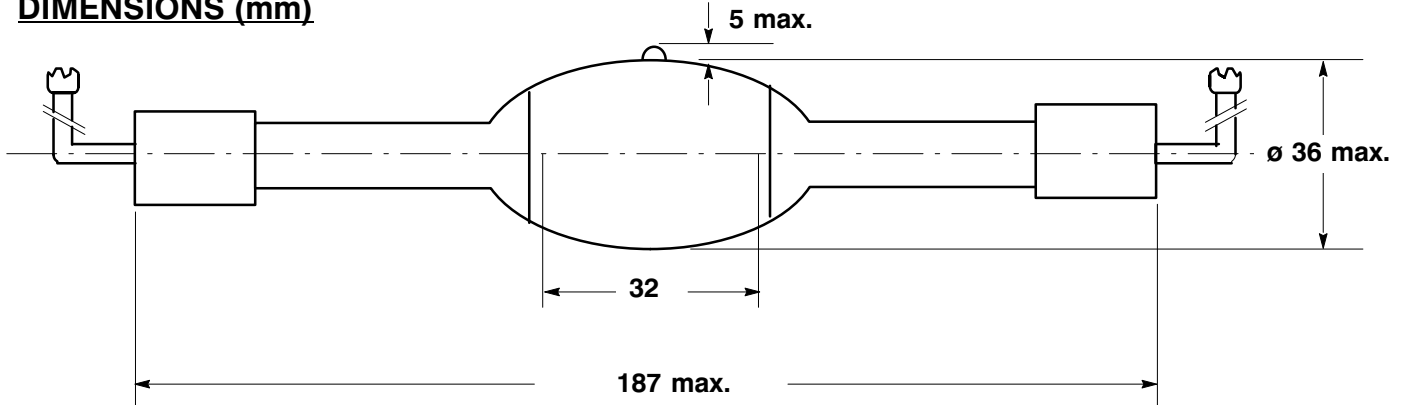


DIMENSIONS (mm)



Cap : cable (IEC 61-1)
Bulb : quartz

ELECTRICAL DATA:

		NOMINAL VALUE	MIN.	MAX.
Lamp wattage	(W) :	950	800	1200
Lamp voltage	(V) :	130	115	145
Lamp current	(A) :	9.6		
Lamp warm-up current	(A) :			20
Frequency	(Hz) :	50		

OPERATING CONDITIONS:

Burning position	:	p20		
Fixture type	:	closed		
Ballast type	:	9.6A / 230V		
Supply voltage	(%) :		90	110
Ignitor pulse	(kVp) :	min. 3.5, hot start min. 35		
Compensation capacitor	(µF) :	85		
Pinch temperature	(° C) :			370
Bulb temperature	(° C) :			980

LAMP LIFE :

Rated average life	(h) :	6000
--------------------	-------	------

PHOTOMETRIC DATA : (1)

Initial luminous flux	(lm) :	90 000		
Luminous efficacy	(lm/W) :	90		
Correlated colour temperature	(K) :	5900		
Colour rendering index	(class) :	1B		
Specific effective UV power	(mW/klm)			125

(1) Measurements are done in an enclosed simulator or under nominal conditions after 100 h of ageing.

ATTENTION : Inspection is in accordance with IEC 410. Due to high operating pressure inside the lamp, the possibility exists that in extreme circumstances the lamp might shatter. The quartz glass should not be touched with bare hands because this might enhance devitrification of the quartz and thus lead to early failures because of a possible risk of abnormal operating conditions at the end of life, thermally protected ballasts must be used.

Issued by : TIENEN
Date : 05.02.2010
Revision date : 30.10.2014

DATA SHEET

Specification No. : 43 10 1000/A
Supersedes : 43 10 1000
Page 1 of 1