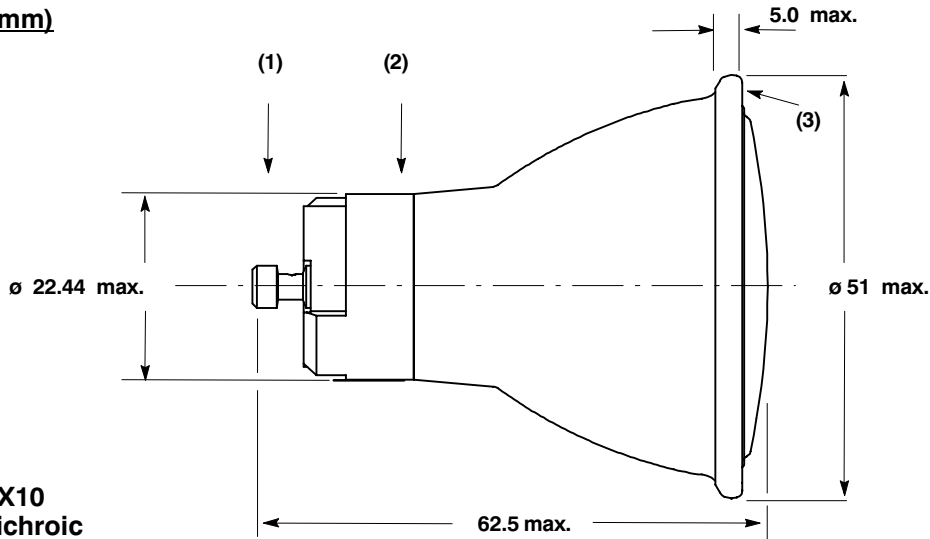


**DIMENSIONS (mm)**



Base type : GX10  
 Reflector : Dichroic  
 Lens : Stippled  
 Ring : Anodized aluminium



<b>ELECTRICAL DATA:</b>		<b>NOMINAL VALUE</b>	<b>MIN.</b>	<b>MAX.</b>
Lamp wattage	(W) :	39		
Lamp voltage	(V) :	100	85	115
Lamp current	(A) :	0.53		

**OPERATING CONDITIONS:**

Burning position	:	universal	
Fixture type	:	open	
Ballast type	:	35W electronic metal halide	
Base contact temperature (°C)(1)	:		250
Base rim temperature (°C)(2)	:		320
Reflector rim temperature (°C)(3)	:		240
Burner Pinch temp. lens (°C)	:		380
Burner Pinch temp. base (°C)	:		370
Burner temp. rise (°C)	:		15

**LAMP LIFE:**

Average life T50	(h) :	6000 h
90% survival T90	:	4000 h

**PHOTOMETRIC DATA:**

Correlated colour temperature (K)	:	3000
Colour rendering index (class)	:	90 (1A)
Specific Effective UV-power (mW/klm):		< 0.3

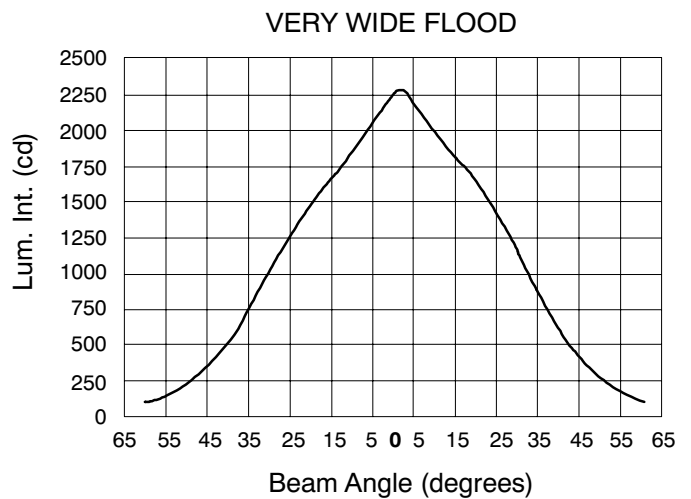
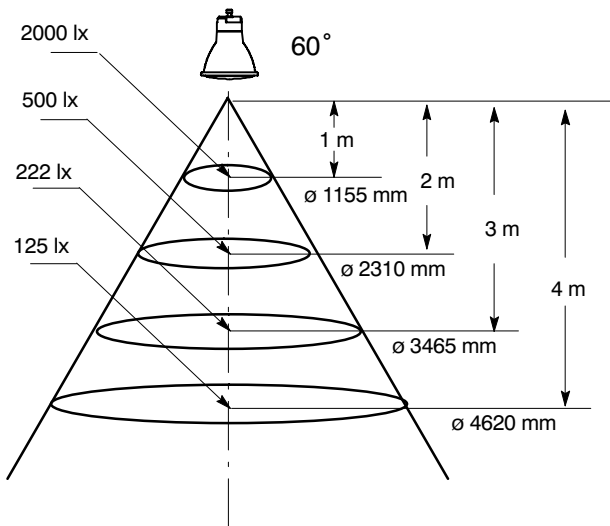
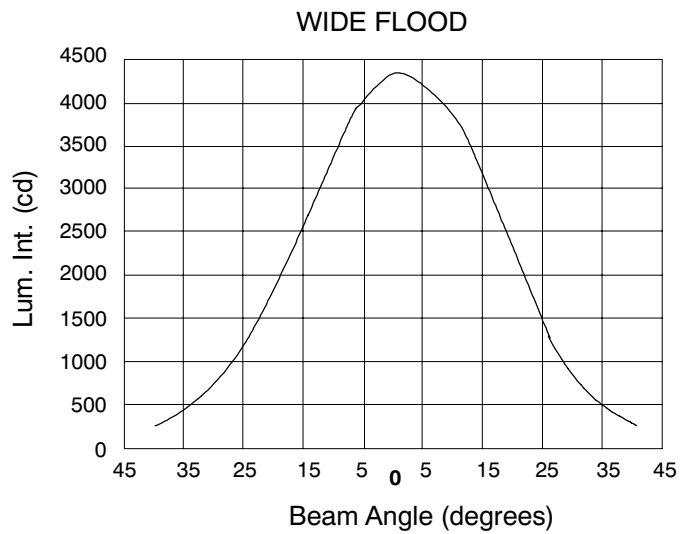
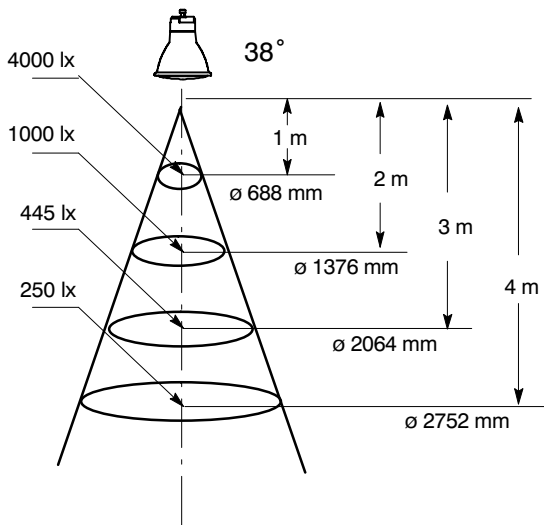
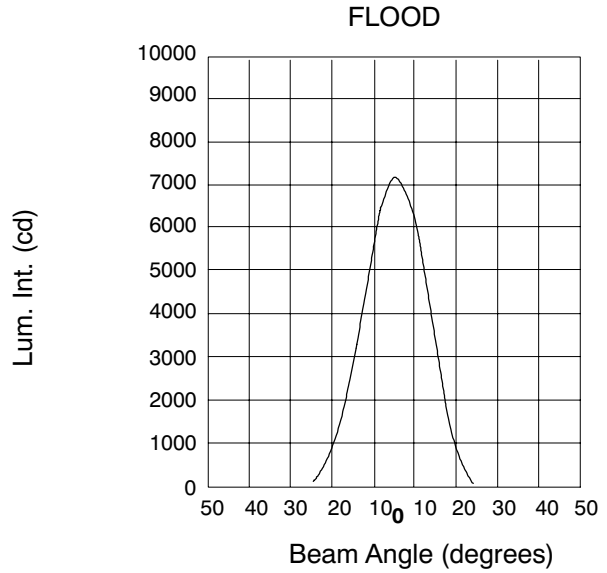
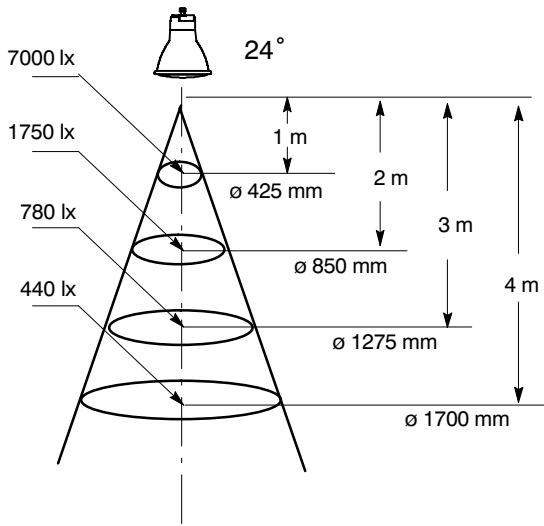
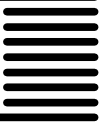
TYPE DESCRIPTION	BEAM ANGLE (degrees)	LUMINOUS INTENSITY (Cd)
FLOOD	24°	7000
WIDE FLOOD	38°	4000
VERY WIDE FLOOD	60°	2000

**ATTENTION:** Lamps comply with the requirements of IEC publication 62035.  
 Lamps should not be operated with a broken or absent reflector or lens.

Issued by : TIENEN  
 Date : 28.06.2005  
 Revision date : 08.06.2010

**DATA SHEET**

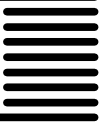
Specification No. : 41-050-037/D  
 Supersedes : 41-050-037/C 21.05.07  
 Page 1 of 3



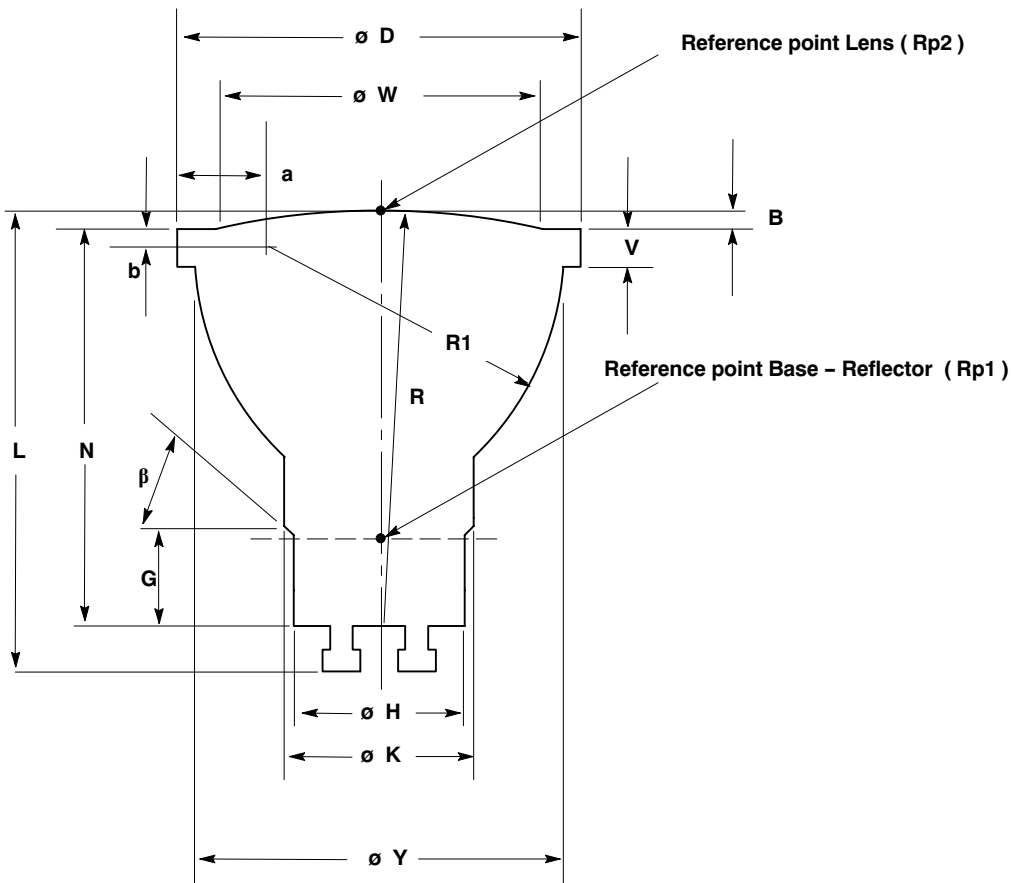
Issued by : TIENEN  
 Date : 28.06.2005  
 Revision date : 08.06.2010

**DATA SHEET**

Specification No. : 41-050-037/D  
 Supersedes : 41-050-037/C 21.05.07  
 Page 2 of 3



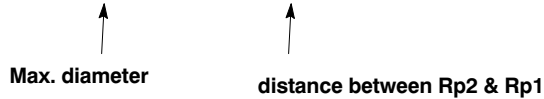
**MAXIMUM LAMP OUTLINES BS ES50 :**



B	2.5
D	53.3
H	22.6
G	12
K	25
L	62.5
N	53.6
R	95
R1	38
V	5
W	43.3
a	13.1
b	2.5
β	45°
Y	48.8

Dimensions ø D and ø W are corrigated with the maximum out of axis angle 1.5° between base and reflector!

( f.e. :  $\text{ø D} = 51 + (2 \cdot \tan 1.5^\circ \cdot 42.6) = 53.3$



Issued by : TIENEN  
 Date : 28.06.2005  
 Revision date : 08.06.2010

**DATA SHEET**

Specification No. : 41-050-037/D  
 Supersedes : 41-050-037/C 21.05.07  
 Page 3 of 3