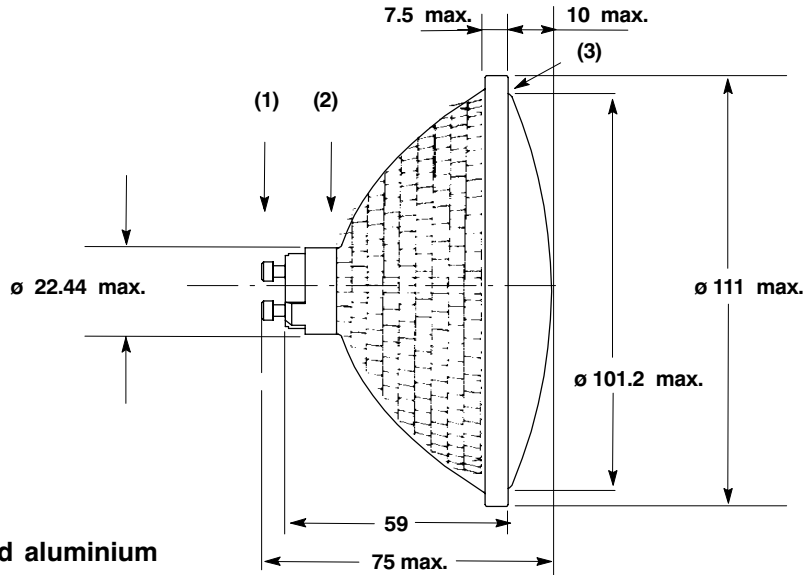


DIMENSIONS (mm)



Base type : GX10
 Reflector : Dichroic
 Lens : Clear
 Ring : Anodized aluminium



ELECTRICAL DATA:

			<u>NOMINAL VALUE</u>	<u>MIN.</u>	<u>MAX.</u>
Lamp wattage	(W)	:	75		
Lamp voltage	(V)	:	100	85	115
Lamp current	(A)	:	0.98		

OPERATING CONDITIONS:

Burning position	:	universal	
Fixture type	:	open	
Ballast type	:	70W electronic metal halide	
Base contact temperature (°C)(1)	:		250
Base rim temperature (°C)(2)	:		320
Reflector rim temperature (°C)(3)	:		240
Arc tube Pinch temperature (°C)	:		380

LAMP LIFE:

average life T50	(h)	:	6000
90% survival T90	(h)	:	4000

ATTENTION: Lamps comply with the requirements of IEC publication 62035.
 Lamps should not be operated with a broken or absent reflector or lens.

Issued by : TIENEN
 Date : 08.06.2005
 Revision date : 08.06.2010

DATA SHEET

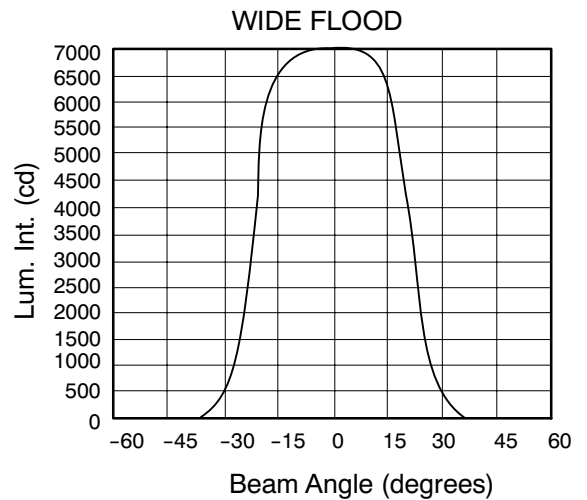
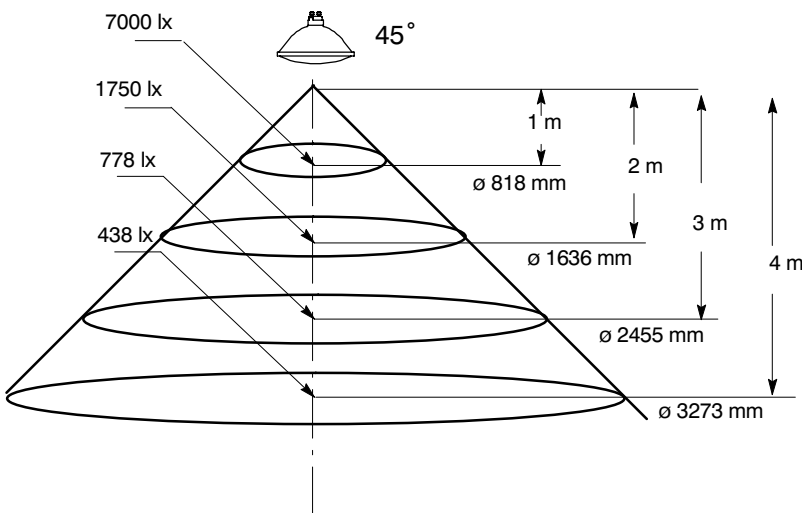
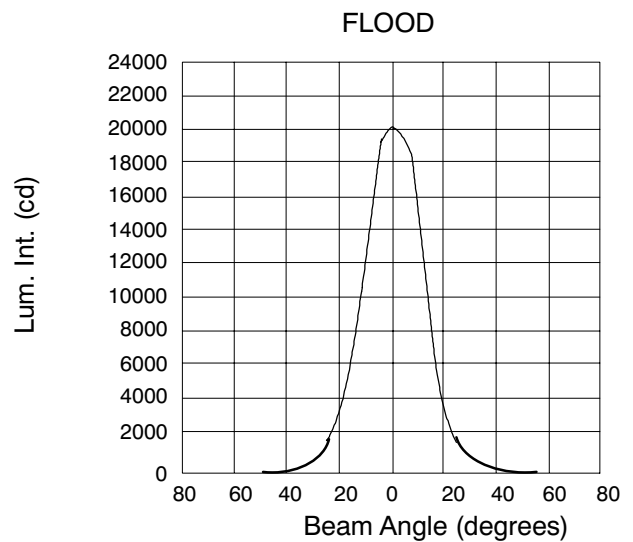
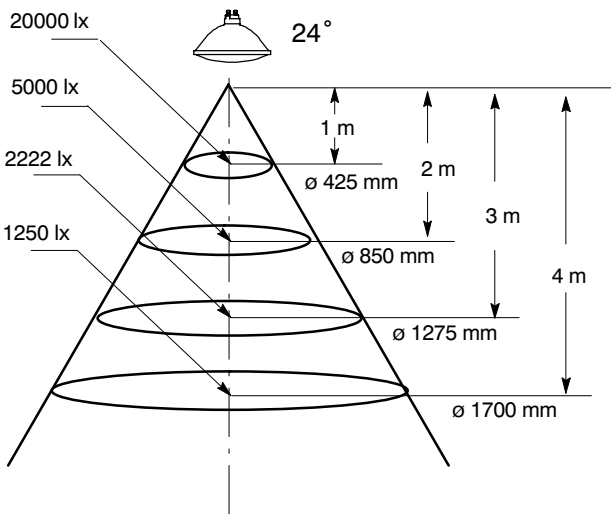
Specification No. : 41-050-112/E
 Supersedes : 41-050-112/D 22.05.2007
 Page 1 of 3



PHOTOMETRIC DATA:

Correlated colour temperature (K) : 3000
 Colour rendering index (class) : 90 (1A)

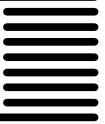
TYPE DESCRIPTION	BEAM ANGLE (degrees)	LUMINOUS INTENSITY (Cd)
FLOOD	24°	20000
WIDE FLOOD	45°	7000



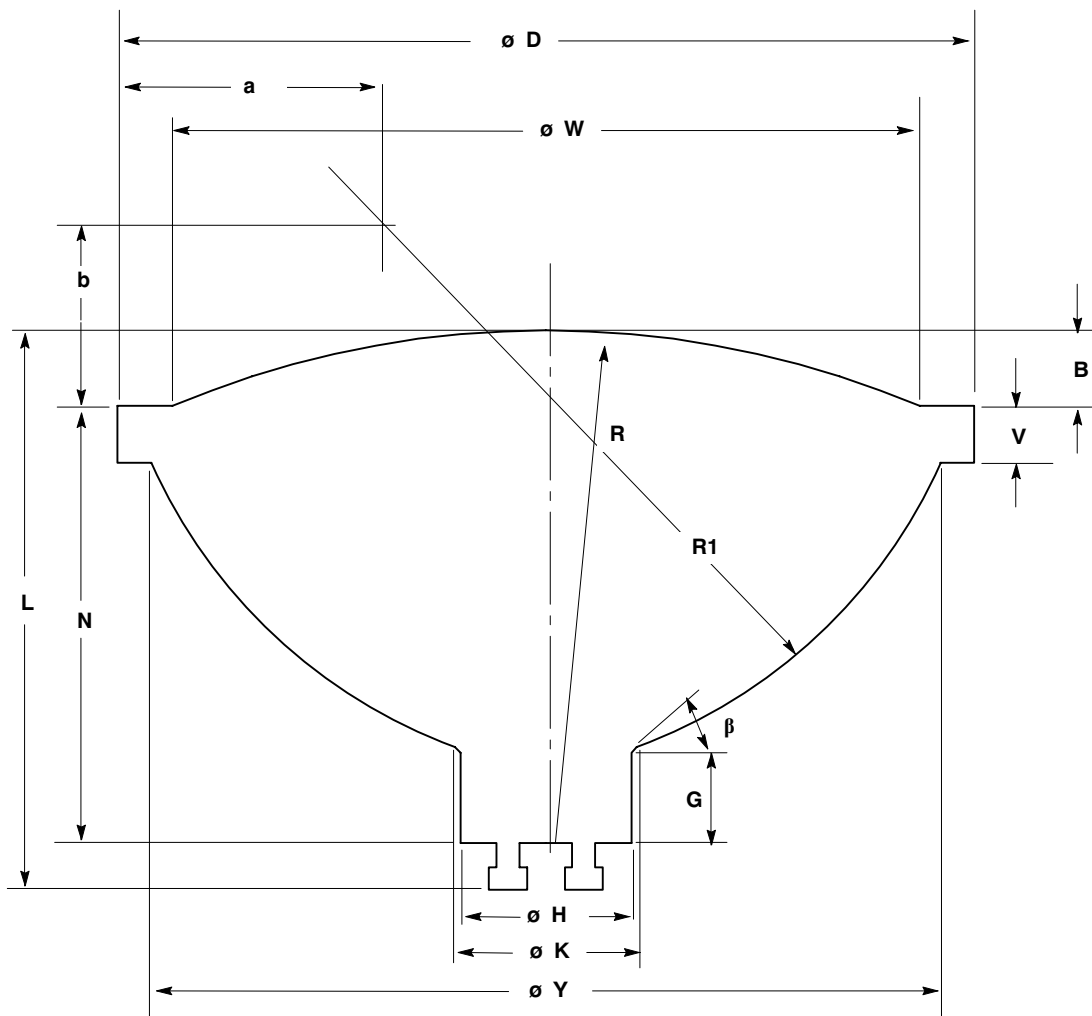
Issued by : TIENEN
 Date : 08.06.2005
 Revision date : 08.06.2010

DATA SHEET

Specification No. : 41-050-112/E
 Supersedes : 41-050-112/D 22.05.2007
 Page 2 of 3



MAXIMUM LAMP OUTLINES BS ES 111



B	10
D	113.3
H	22.6
G	12
K	25
L	75
N	56.8
R	127
R1	71
V	7.5
W	104.4
a	44
b	21.44
β	45°
Y	104.4

Issued by : TIENEN
 Date : 08.06.2005
 Revision date : 08.06.2010

DATA SHEET

Specification No. : 41-050-112/E
 Supersedes : 41-050-112/D 22.05.2007
 Page 3 of 3