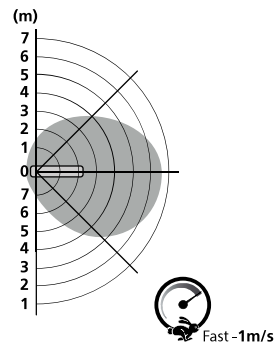
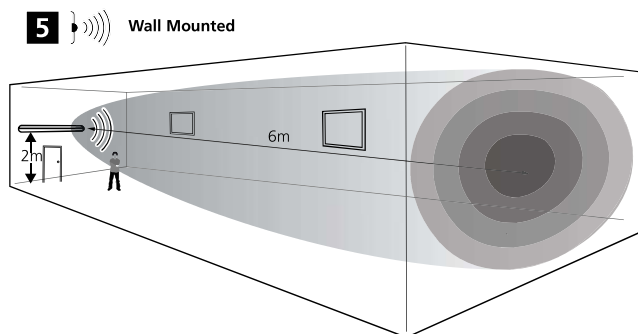


5 Detection Area

	1	2	
I	●	●	100%
II	○	●	75%
III	●	○	50%
IV	○	○	25%

5m <5m

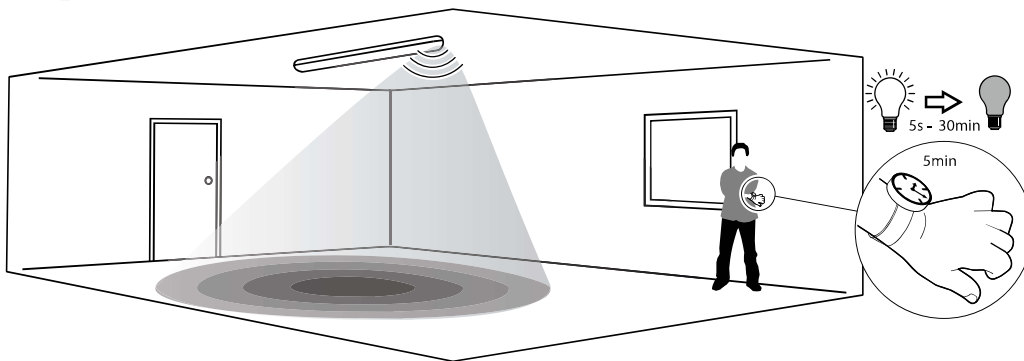


5 Detection Area

	1	2	
I	●	●	100%
II	○	●	75%
III	●	○	50%
IV	○	○	25%

6m <6m

6 Ceiling Mounted + Wall Mounted

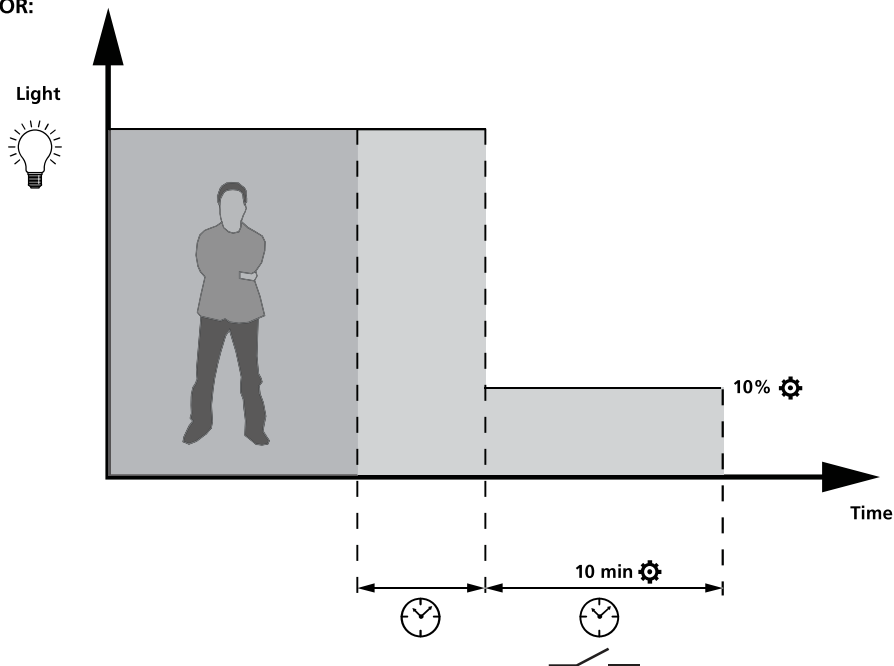


6 Hold Time

	3	4	5	
I	●	●	●	5s
II	○	●	●	30s
III	●	○	●	90s
IV	○	○	●	5min
V	●	●	○	20min
VI	○	○	○	30min



7a MW COR:



7b MW CORINF:

