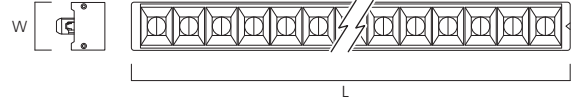


Pixo Line 1500 UGR19



Pixo Line 1500 90D Beam - Asymmetric - Double Asymmetric

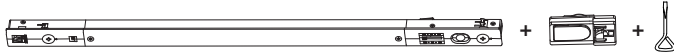


Pixo Line 1500 Opal Diffuser

1

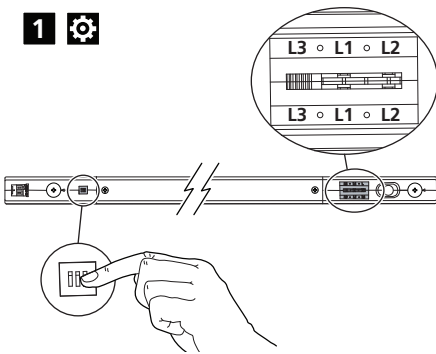


2



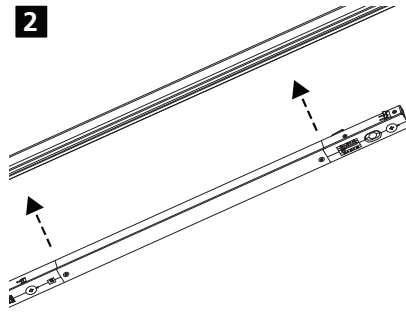
	L	W	H
1 Pixo Line 1500 UGR - Opal	1464	37	37.4
2 Pixo Line 90D - Asym-D. Asym	1464	37	38.4
3 Pixo Line Driver	672	31	32

1

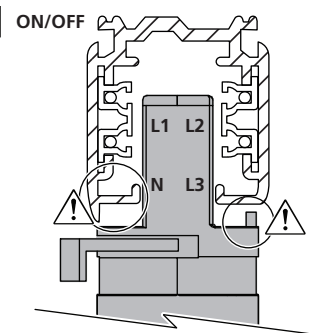


ON	ON	ON	[mA]
1	2	3	
●	●	●	350
○	●	●	400
●	○	●	500
○	○	●	600
●	●	○	700
○	●	○	800
●	○	○	900
○	○	○	1050

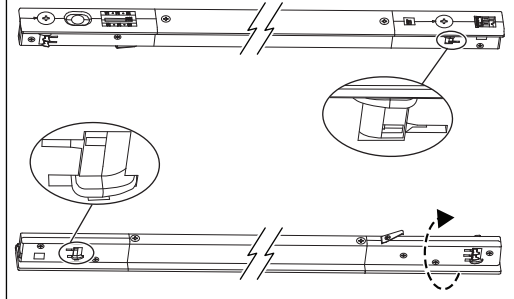
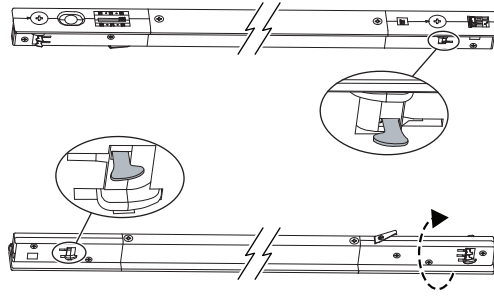
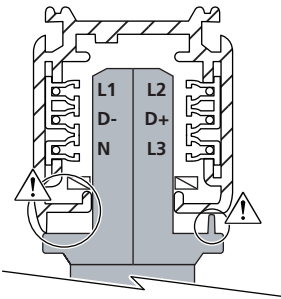
2



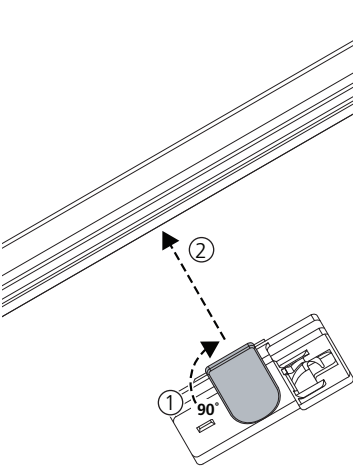
3a



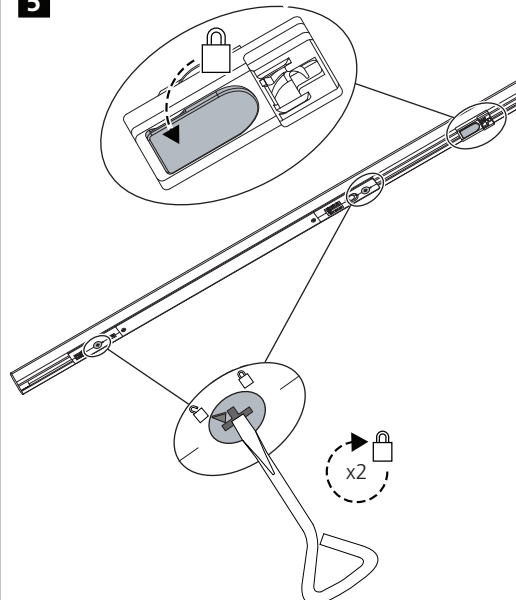
3b DALI



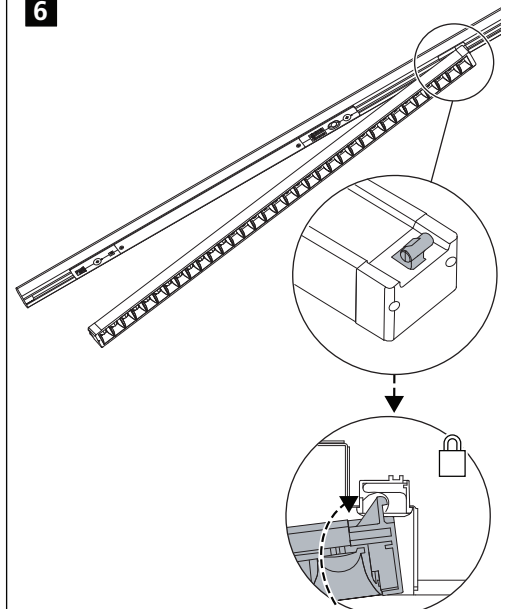
4

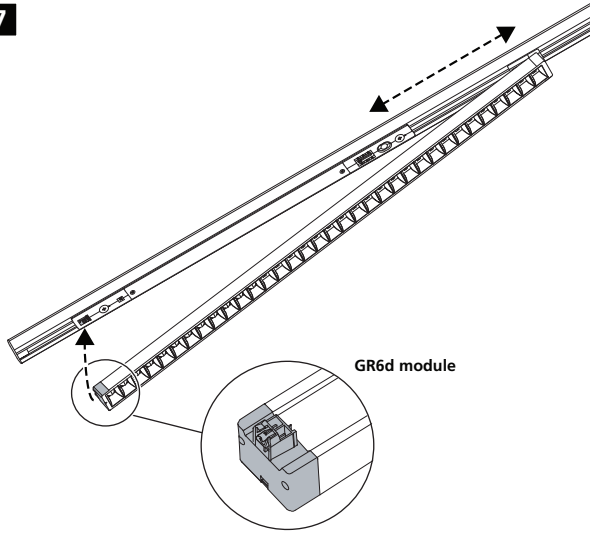
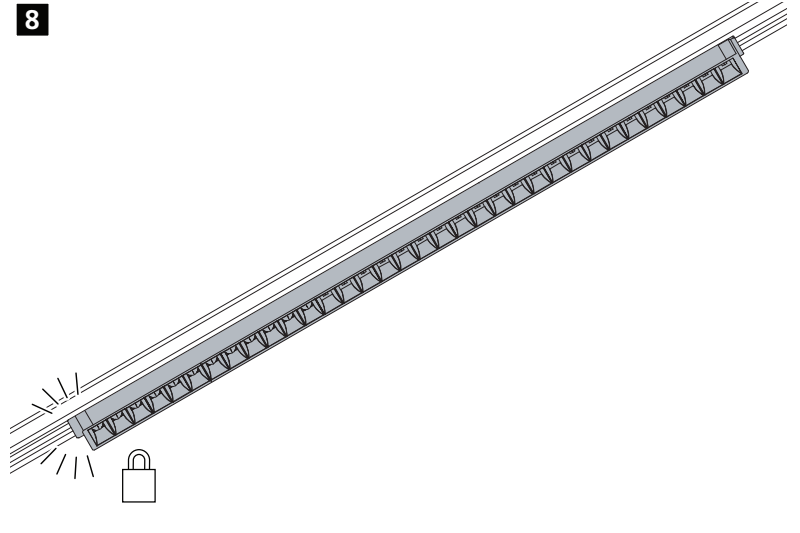
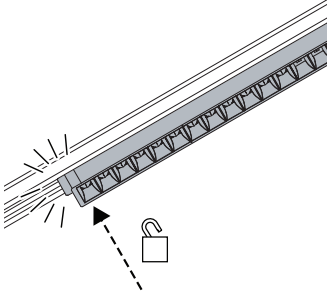
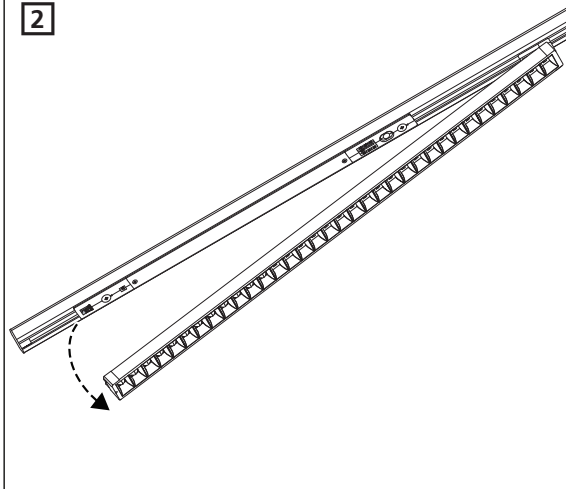
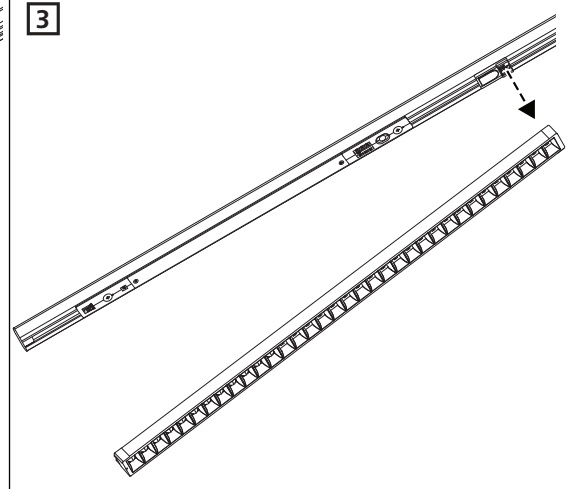


5



6



**7****8****1** **!** To uninstall**2****3****!** Compatible 3-Circuit tracks**ON/OFF Application**

Nordic Aluminium	GLOBAL Trac Pro XTS-4xxx / XTSF-4xxx
Eutrac	25-XX-XX / 26-XX-XX
Erco	783...
Ivela	7501 / 7511 / 7512
Powergear	PRO-0610
Stucchi	Onetrack
UniPro	T32W / T32FW
Zumtobel	S280...

**DALI Application**

Nordic Aluminium	GLOBAL Trac Pulse XTSC-6xxx / XTSCF-6xxx
Powergear	PRO-0610
Stucchi	Onetrack
UniPro	T32W / T32FW